

Click here to buy now!

## **NESTING STYLE WITH "Z" FRAME** **Models BPR-Z-FULL & BPR-Z-HALF**

### **Features & Benefits:**

**Efficient Storage:** End-load pan design nests while not in use. 6 nested racks take up the same space as 2 regular welded racks -- maximizes storage space. Ribbed slides for easier loading and unloading of pans.

**Flexibility and Selection:** Fits full and half-size sheet pans. 10 or 20 pan capacity models.

**Ease of Movement:** 5" (12.7 cm) non-marking polyurethane casters - 2 regular swivel and 2 swivel with brakes.

**Hold up to 500 lbs. Max of 60 lbs. per tray slot**

### **Quality Construction:**

Heavy duty, end-loading welded rack. "Z" Frame construction. Made from ultra strong aluminum

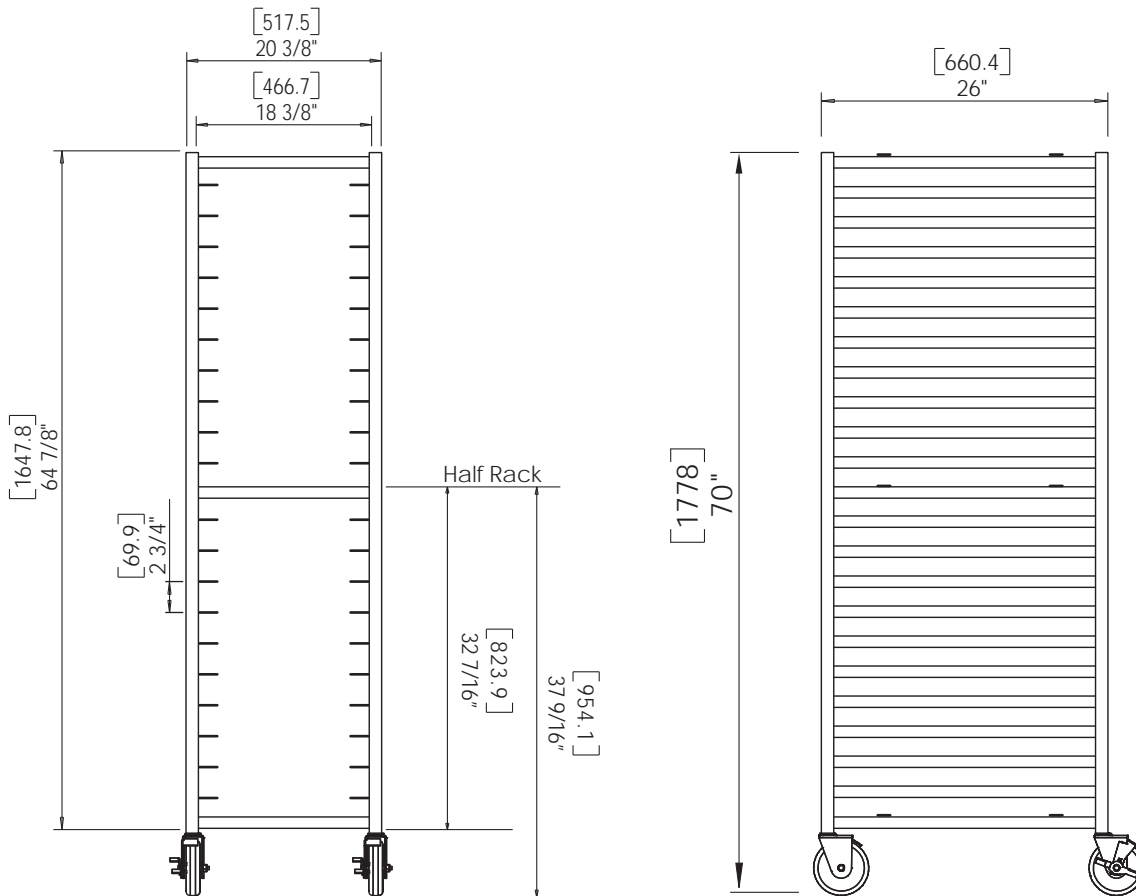
Optional Solid Aluminum Top Available.  
BPR-TOP Sold separately.



Welded Bun Pan Racks with "Z" Frame

# NESTING STYLE WITH "Z" FRAME

## Models BPR-Z-FULL & BPR-Z-HALF



### Specifications

Model No.	Pack	Capacity (sheets)	Weight Approx. Pkg. Wt.	Description
BPR-Z-HALF	1	10	39 lbs.	Welded end-load aluminum half size "Z" bun pan rack
BPR-Z-FULL	1	20	45 lbs.	Welded end-load aluminum full size "Z" bun pan rack



6 nested racks take up the same space as 2 regular welded racks.



Due to periodic changes in designs, methods, procedures, policies and regulations, the specifications contained in this sheet are subject to change without notice. While we exercise good faith efforts to provide information that is accurate, we are not responsible for errors or omissions in information provided or conclusions reached as a result of using the specifications. By using the information provided, the user assumes all risks in connection with such use.

Welded Bun Pan Racks with "Z" Frame

[Click here to buy now!](#)

**Central**<sup>®</sup>  
**RESTAURANT PRODUCTS**  
 WHOLESALE EQUIPMENT & SUPPLIES

**1-866-285-1252**