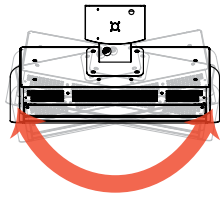


TUNGSTEN SMART-HEAT™ GAS

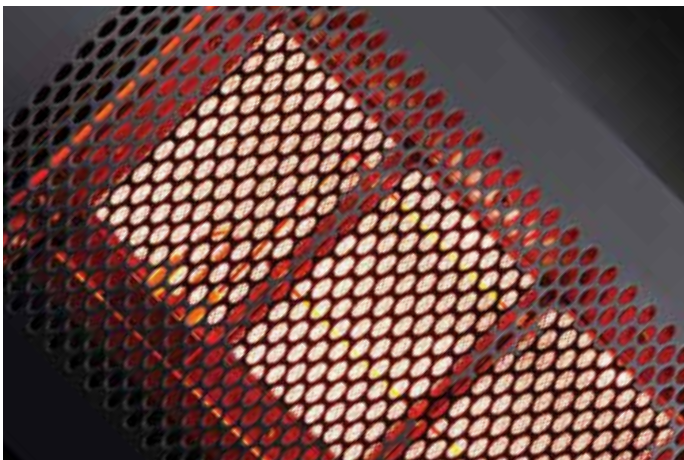
A designed, cost-conscious product blending aesthetics and function



A designed, cost-conscious product range that does not sacrifice aesthetics for function.

The patented direct ignition system, never before seen on an outdoor gas radiant heater, ensures a reliable start and effective operation, even in winds of up to 8mph.

Easy pivot arm provides greater positioning versatility and heat coverage.

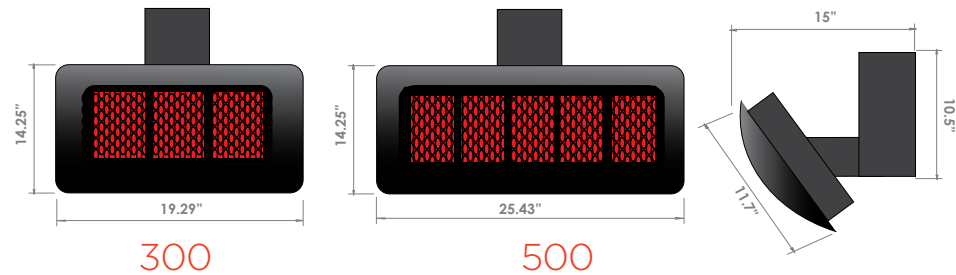
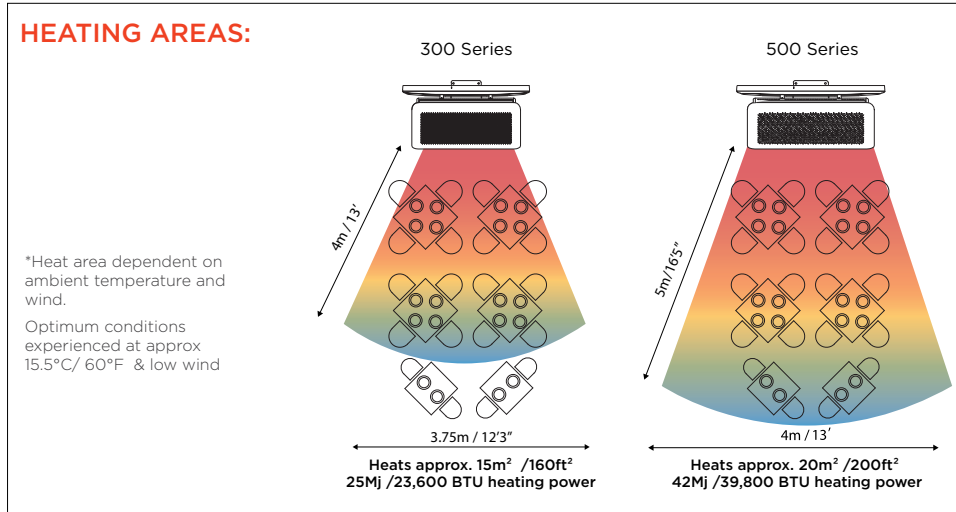


TUNGSTEN SMART-HEAT™ GAS



FEATURES:

- Attractive black finish
- Universal bracket — easy upgrade from 300 to 500 model. No additional plumbing or wiring required.
- Bi-directional easy-pivot arm — 25° rotation each side.
- Electronic ignition — one or multiple units can be switched on and off simultaneously from a single remote-located switch.
- Automatic re-ignition — should the heater not re-ignite for any reason, the integrated “Flame Failure Safety Shut-off Control” turns the heater off immediately.
- Stainless steel casing — components are protected from tampering. Assists in preventing dirt and dust from accumulating on the wiring and components.



ACCESSORIES*

- Ceiling poles (black electro plated): *The dual-directional ceiling mount pole offers greater positioning versatility in larger open areas.
 - Dual or single heater mounting
 - 5 lengths to suit ceiling heights of 10.5', 11.2', 11.8', 12.5' and 13'
 - Adjustable mounting bracket to suit most installations

*all accessories sold separately

90° ceiling mounting bracket with 5° increments for varied ceiling angles

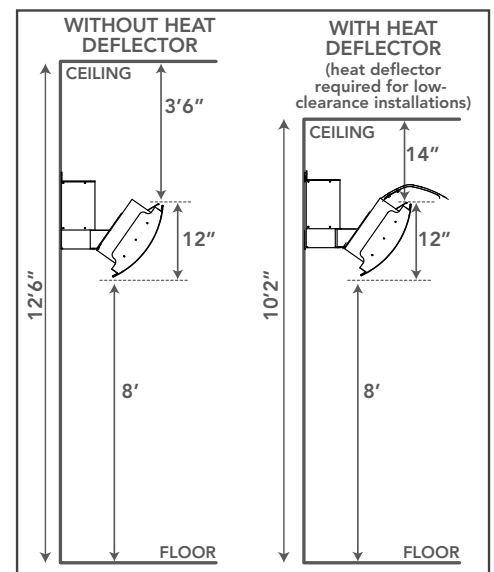
5 pole lengths to suit ceiling heights of 10.5', 11.2', 11.8', 12.5' and 13'

Dual or single heater mounting

Dual-layer heat deflector:
Heat deflector allows for low-clearance installations

SPECIFICATIONS		300	500
Model		300	500
Part no.	LPG ¹	BH0210002	BH0210004
	Natural Gas ¹	BH0210001	BH0210003
Heat Deflector part no.		BH3030001	BH3030002
Ceiling Pole	5 pole lengths to suit ceiling heights of 10.5', 11.2', 11.8', 12.5' and 13' (contact Bromic Heating for more information)		
Heat Output (on LPG and NG)		23,600BTU	39,800BTU
Approximate area heated (feet ²)		up to 160ft ²	up to 200ft ²
Gas connection		1/2" NPT Female	1/2" NPT Female
Electrical connection	110 Volt, 3-pin insulated plug		
Dimension (WxDxH)		19.29" x 14.09" x 14.25"	25.43" x 14.09" x 14.25"
Min. distance to combustible materials (without heat deflector) ²		Sides: 3'6" / 1100mm	
		Above (to ceiling): 3'6" / 1100mm	
(with heat deflector)		Above (to ceiling): 14" / 350mm	
Mounting height requirement to ground ³		8' / 2438mm	
Weight (lb)		33lbs	40lbs

MINIMUM INSTALLATION CLEARANCES



¹Must only be installed by a licensed technician. Must complete "Pre-Installation Checklist" before installing. ²The temperature will not exceed 65°C/149°F above the ambient temperature. Please consult material manufacturer for temperature ratings. ³8' / 2438mm or maybe lower depending on local regulations

