

SM-6236H

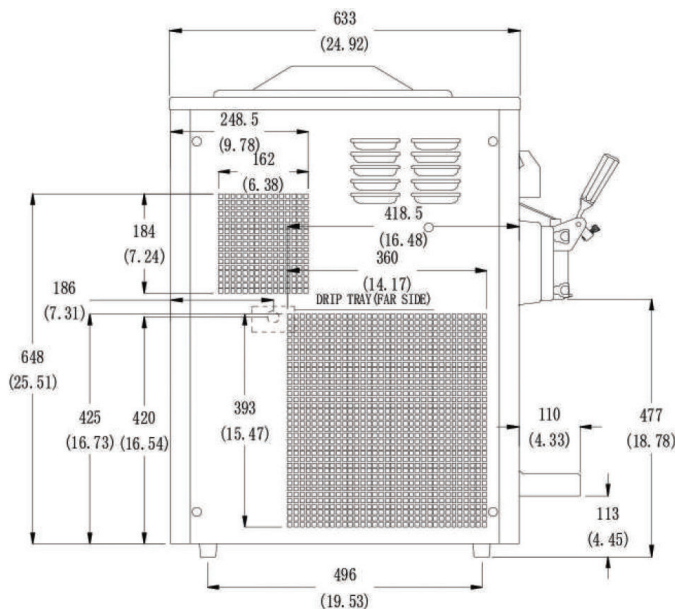
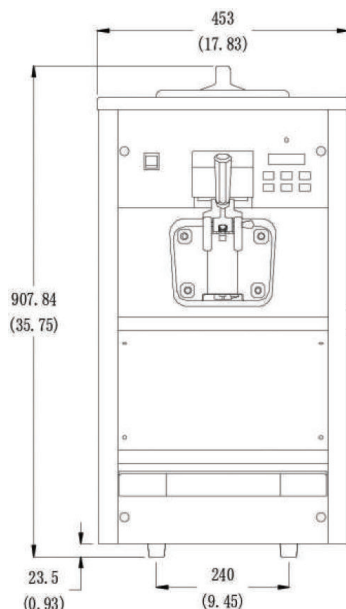
SOFT SERVE FREEZER

PRODUCT INFORMATION

Type	Counter Top
Flavors	1
Cooling	Air Cooled
Freezing Cylinders	1x 3.2 L / 3.4 qt
Product Mix Hoppers	1x 15.0 L / 15.9 qt
Output (4oz Servings)	40.0 qt / hr 321 servings / hr
Motor	1x 1.00 HP, 900W
Compressor (Main)	1x 6500 BTU, R404A
Compressor (Auxilliary)	1x 480 BTU, R134A

FEATURES

Machine Controls	Single, Digital
Refrigerated Hopper	Yes, Digital Control
Hopper Agitator	Yes
Temperature Display	Yes
Standby Mode	Yes
Low Mix Indicator Light	Yes
Low Mix Indicator Alarm	No
Low Temperature Protection	Yes
Motor Amperage Protection	Yes, Mechanical
High Pressure Protection	Yes
Thermal Overload Protection	Yes



DESCRIPTION

A high capacity, single flavor, gravity feed, countertop soft serve freezer. Capable of producing a variety of products including: Soft Serve, Frozen Yogurt, Ice Cream, Custards, and Sorbets. Digital control system automatically regulates and maintains consistent product quality. Refrigerated hopper and Standby Mode keeps product fresh, even overnight.

CUSTOM OPTIONS

Air Pump, Water Cooled, Heat Treat, Air Chute, Spinner (1 or 2)

ELECTRICAL SPECIFICATIONS

	Maximum Fuse Size	Min. Circuit Ampacity	Poles (P) Wires (W)
208-230/60/1	1 x 20A	1 x 14A	2P / 3W

Electrical Plug: 1x NEMA L6-20

SIZE SPECIFICATIONS

	Machine		Shipping	
Weight	173 kg	384 lbs	188 kg	418 lbs
Depth (mm / in)	633*	25.0*	880	34.7
Width (mm / in)	453*	17.9*	510	20.1
Height (mm / in)	908	35.8	1080	42.6

Shipping Volume: 0.48 CBM / 17.09 CBF

** Machine Requires Minimum 6" Clearance on all sides*