



6455-C

FROZEN BEVERAGE FREEZER

Single flavor, Countertop, Gravity feed

Most **Compact & Versatile**

Two flavor countertop model for frozen beverage and smoothies

Fast Freeze Down

Patented high efficiency heat exchanger allows fast freeze down with low energy consumption

Simple Control, Easy Operation

Simple and intuitive control system makes operation and viscosity adjustment easy, swift and more precise

Low Mix Indicator

Light turns "ON" at low mix to alert operator to add mix

See-through Dispensing Door

Clear dispensing door design makes product more attractive and serves as great marketing tool

Standby & Indicator

Maintains product temperature in both mix hopper and freezing cylinder below 4.4°C (40°F) overnight; Indicator light turns ON blue under Standby mode

Perfect solution for alcoholic and non-alcoholic frozen beverages in bars, restaurants, hospitals, schools and kiosks



Hopper Agitators

Maintain product consistency and prevent product separation

Self-closing Dispensing Valves

Automatically prevents product overflow after dispense

Safety Protections

- High pressure switch to prevent compressor overheating
- Thermal overload to protect from motor overheating

Light Box (Optional)

- Illuminates flavor cards to attract more business
- Changes color to indicate Low Mix and Standby

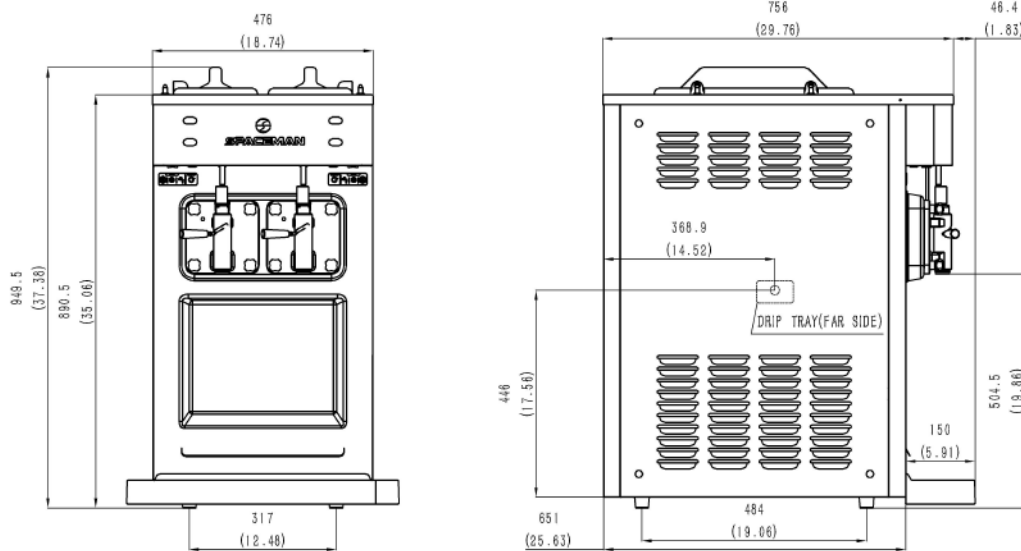
One-hand Operated Spinner (Optional)

- Adds ability to blend and offer more varieties of treats
- Allows for multi-tasking one-hand operation that helps increase productivity and reduce serving time



6455-C

FROZEN BEVERAGE FREEZER



SPECIFICATIONS

Flavors	2
Freezing Cylinders	2 x 3.8L / 4.0qt
Mix Hoppers	2 x 8.0L / 8.5qt
Output Capacity (250ml)	112 serves/hr
Clearance Requirements	152mm/6" on back

Weight Kg/lb

Net	146 / 325
Shipping	166 / 369
Volume	0.48 CBM / 17.10 CBF

Dimensions Net (mm/in) Shipping (mm/in)

Width	476 / 18.7	520 / 20.5
Depth	651 / 25.6	853 / 33.6
Height	950 / 37.4	1090 / 42.9

Electrical MFS MCA Power(kW)

220-240/50/1	15	13	2.0
220-240/60/1	15	13	2.1
110-115/60/1	20	16	1.6

FEATURES

Control Systems	Two, Mechanical
Refrigerated Hoppers	✓
Hopper Agitators	✓
Standby Mode	✓
Auto Closing Dispensing Valves	✓
Low Mix Indicator Light	✓
Low Mix Indicator Alarm	✓
Standby Mode	✓
Standby Indicator Light	✓
High Pressure Protection	✓
Thermal Overload Protection	✓

AVAILABLE OPTIONS

Top Air Discharge Chute	✓
Spinner	✓
Light Box	✓

• Above specifications are subject to change without notice