



CATALOG OF REPLACEMENT PARTS



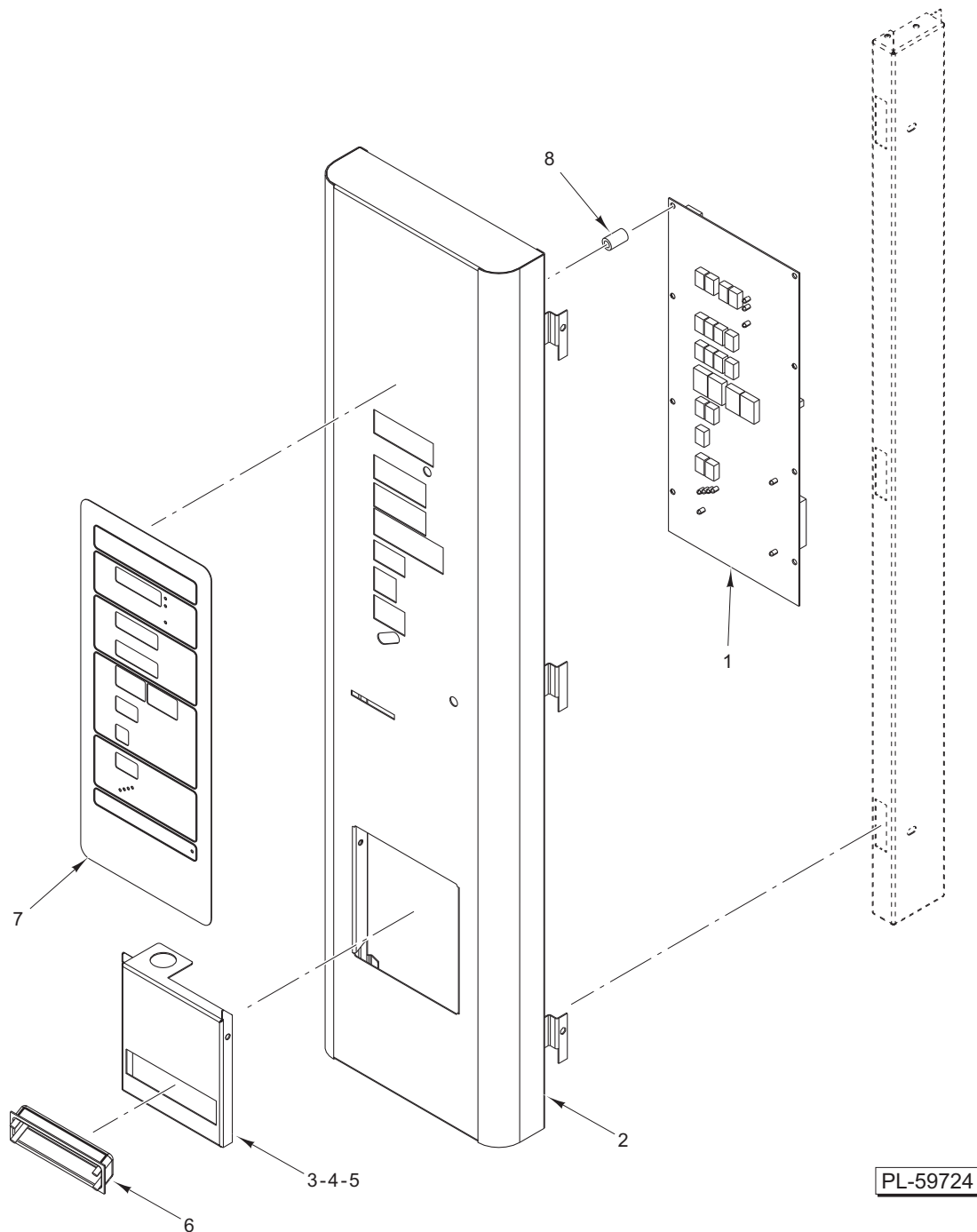
MINI RACK OVEN

OV310E

ML-132516

Table of Contents

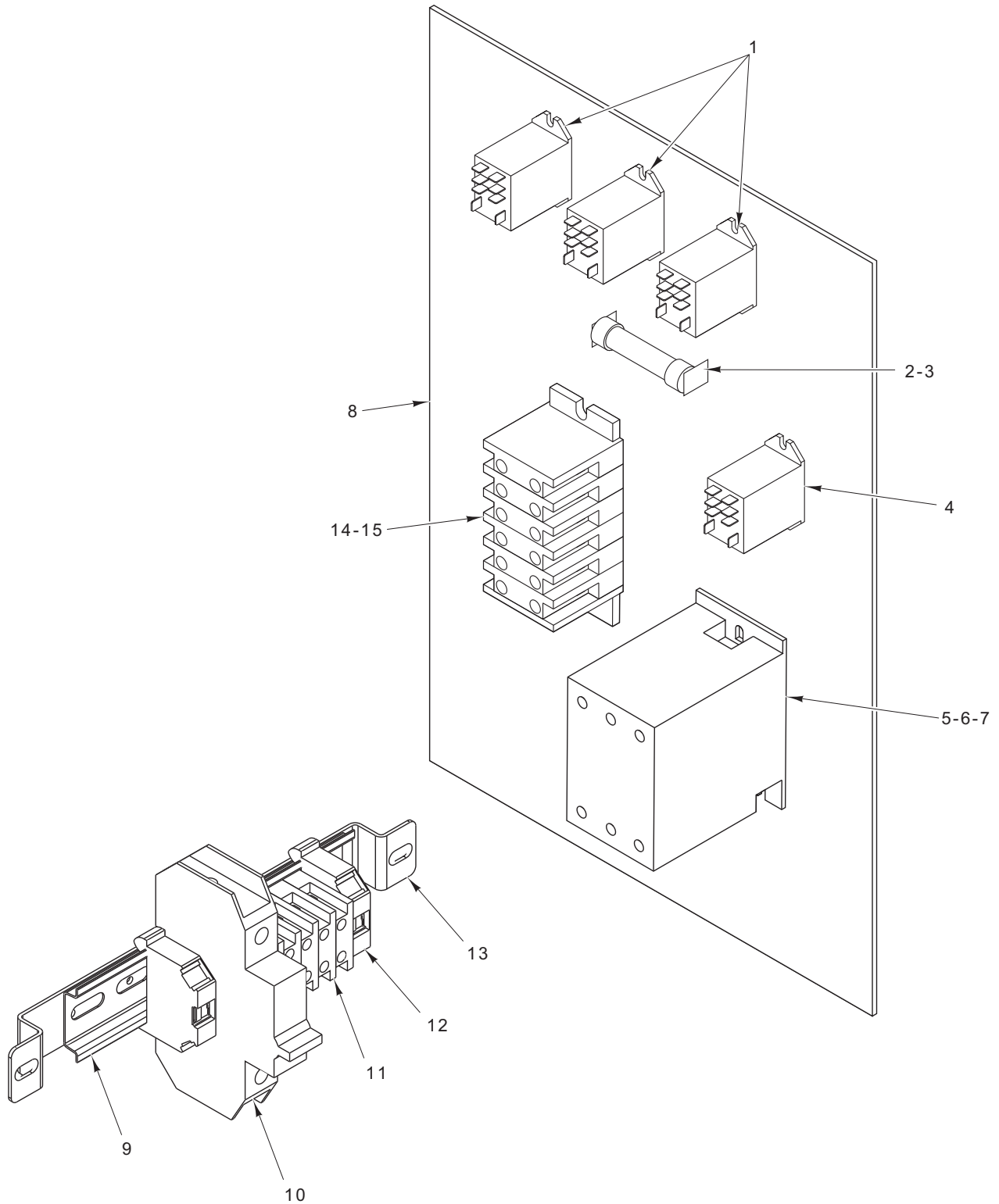
3	ADVANCED CONTROL PANEL ASSEMBLY
5	ELECTRICAL COMPONENTS
7	CABINET UNIT
9	DOORS
11	ROTATOR AND RACK ASSEMBLY
13	WATER/STEAM SUPPLY
15	HEATING ELEMENTS AND AIR CIRCULATION SYSTEM



PL-59724

ADVANCED CONTROL PANEL ASSEMBLY

ILLUS.	PART NO.	NAME OF PART	AMT.
	PL-59724		
1	01-100V16-0565E	PC Board Assy. (With 01-100V16-00759).....	1
2	01-1M6424-00001	Control Door Weldment	1
3	01-1M6450-00001	Door - Access.....	1
4	01-1000V0-00092	Retainer - Pin & E-Clip.....	2
5	01-100V18-00121	Magnet - Retainer	1
6	01-100V18-00110	Pull - Handle Pocket (Black, Plastic).....	1
7	01-100V16-00866	Label - Advanced Controls.....	1
8	01-1000V5-00164	Spacer (PCB).....	8
	01-1M6483-00001	Control Door Assy. (With Advanced PCB)	1

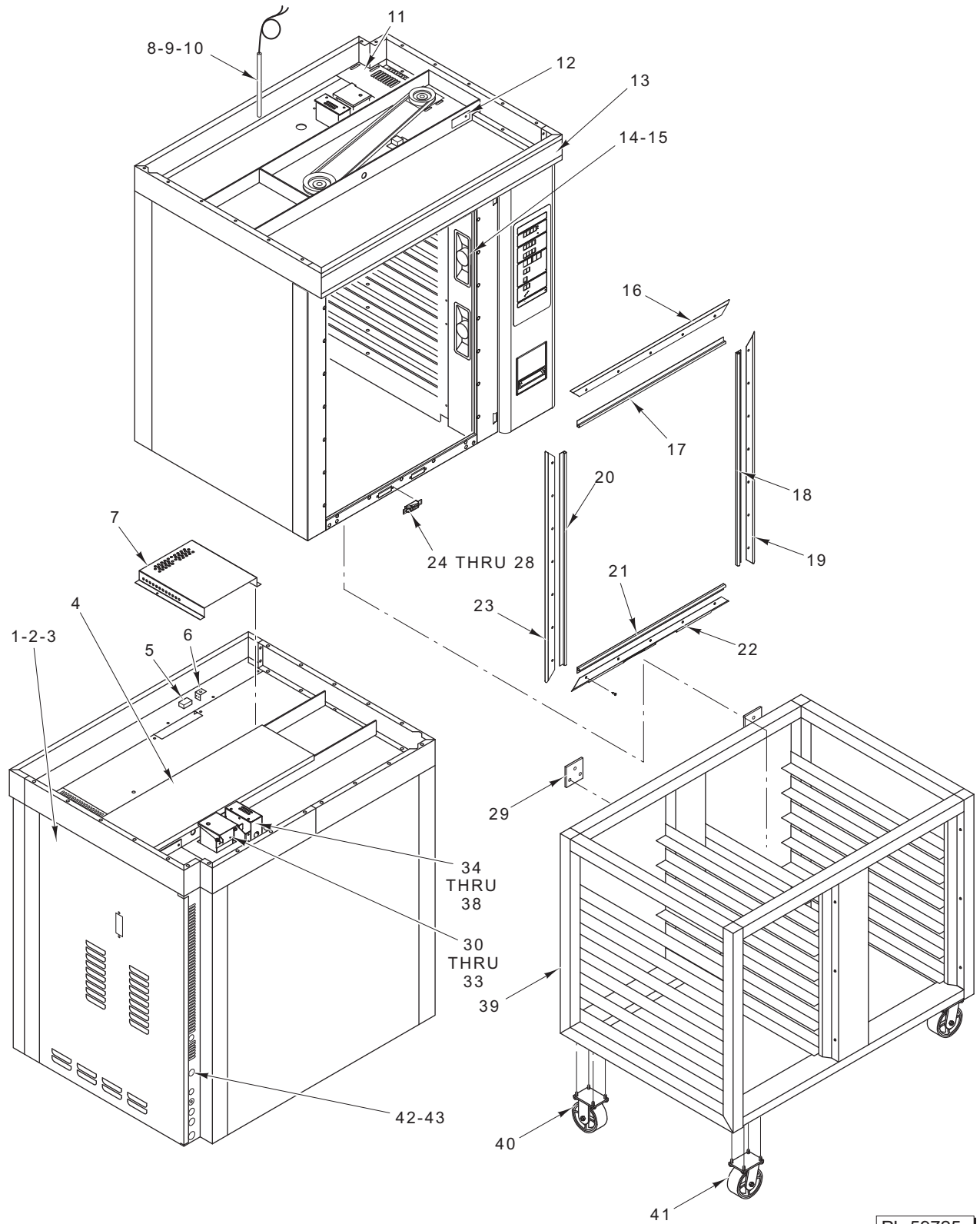


PL-59723

ELECTRICAL COMPONENTS

ELECTRICAL COMPONENTS

ILLUS.	PART NO.	NAME OF PART	AMT.
	PL-59723		
1	01-1000V6-00070	Relay DPDT (1/2 Hp., 120 VAC)	3
2	01-100V10-00232	Fuse Holder (30 Amp.).....	1
3	01-100V10-00219	Fuse – Panel Mount (0.5 Amp.).....	1
4	01-1000V6-00070	Relay DPDT (1/2 Hp., 120 VAC)	1
5	01-1000V6-00314	Contactactor 3-Pole (60 Amp.)	1
6	01-1000V6-00310	Breaker – CRT/U (63 Amp., 3-Pole) (With 110 V. Under Voltage Breaker) (380 V. & 480 V. Only).....	1
7	01-1000V6-00311	Breaker – CRT/U (35 Amp., 3-Pole) (With 110 V. Under Voltage Breaker) (208-240 V. Only).....	1
8	01-1M5387-00003	Plate – Mounting	1
9	01-1M6226-00001	Rail – Din	1
10	01-1000V6-00292	Breaker – Circuit (15 Amp., 1P.).....	1
11	01-1000V5-00280	Section – Terminal Block.....	6
12	01-1000V6-00252	Stop – Terminal Section	2
13	01-1M6163-00101	Bracket – Circuit Breaker Mounting	1
14	01-1000V5-00106	End – Section (Flat Base) (600 V.)	1
15	01-1000V5-00105	Terminal – Section (Flat Base) (600 V.)	6
	01-1M5822-00001	Rail – Din	1
	01-1000V5-00252	Stop – End (Din Rail).....	2
	01-1M5821-00001	Module – Electric (208-240 V., 3 Ph.)	1
	01-1M5821-00002	Module – Electric (380 V., 3 Ph.)	1
	01-1M5821-00003	Module – Electric (480 V., 3 Ph.)	1
	01-1000V6-00215	Contactactor (60 Amp., 3-Pole)	1
	01-1000V5-00096	Block – Power Distribution.....	1
	01-1000V5-00231	Cover – Power Distribution Block	1
	01-1000V5-00220	Spacer	8
	01-1000V5-00166	Bushing – Snap	1



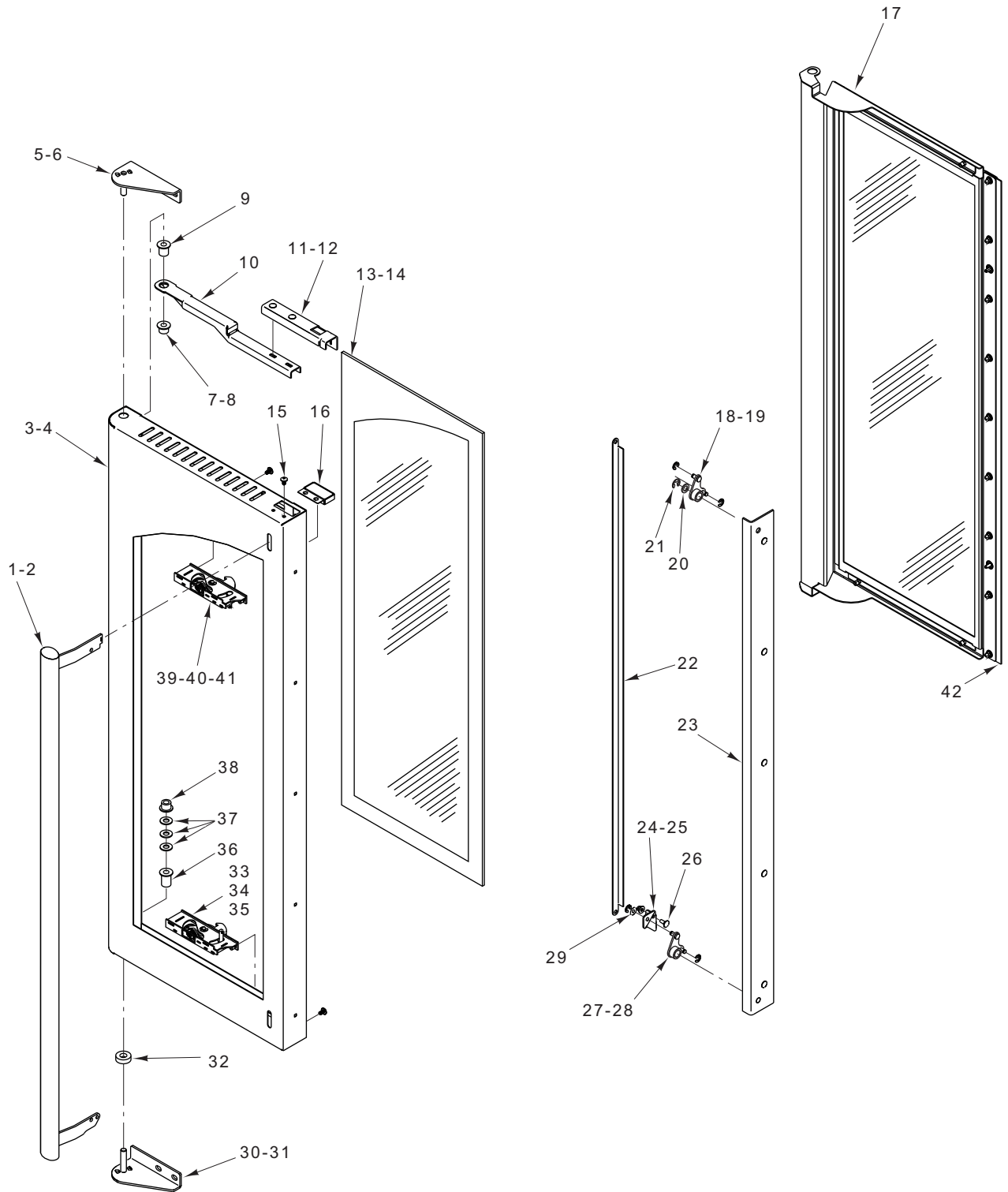
PL-59725

CABINET UNIT

CABINET UNIT

ILLUS.	PART NO.	NAME OF PART	AMT.
	PL-59725		
1	01-1M4198-00002	Skin – RH Outer (Service)	1
2	01-100V11-00207	Cover – Access	1
3	01-1000V4-00322	Screw – Thumb	2
4	01-1M4221-00003	Cover – Rotator	1
5	01-1M5816-00101	Switch Assy. – Door Magnet	2
6	01-1M5806-00001	Bracket – Switch	2
7	01-1M5832-00001	Cover – Wiring	1
8	01-1A1828-00001	Kit – Thermocouple	1
9	01-100V17-00279	Fitting – Compression 1/4 NPTM x 3/16	1
10	01-1M5860-00001	Thermostat Assy. With Stuffing	1
11	01-1M4202-00002	Cover – Rear Outer	1
12	01-1M4203-00001	Cover – Front Outer	1
13	01-1M6489-00001	Trim – Upper Front Assy.	1
14	01-1000V7-00027	Lamp – Oven Assy.	2
15	01-1000V7-00028	Bulb (40 W.) Appliance Type	1
16	01-1M6428-00001	Retainer – Top Gasket	1
17	01-1M6491-00001	Gasket – Door Opening Top	1
18	01-1M6492-00001	Gasket – Door Opening	1
19	01-1M6426-00001	Retainer – Right Side Gasket	1
20	01-1M6492-00001	Gasket – Door Opening	1
21	01-1M6493-00001	Gasket – Door Opening Bottom	1
22	01-1M6464-00001	Retainer – Bottom Gasket	1
23	01-1M6427-00001	Retainer – Left Side Gasket	1
24	01-1M6449-00002	Striker – Loading Door (Oven Side)	4
25	01-1M6494-00001	Rod – Door Latch Striker	4
26	01-1M6447-00002	Body – Striker Bucket	4
27	01-1000V0-00112	Snap Ring (1/4) (SST)	8
28	01-1000V0-00103	Bearing – Nylon Thrust	8
29	01-1M3475-00001	Retainer	2
30	01-1M3479-00004	Cap – Vent	1
31	01-1M3375-00003	Hinge – Body	1
32	01-1000V4-00304	Pins – Hinge	2
33	01-1M6100-00002	Vent Cover Assy. (Incls. Items 30, 31, & 32)	1
34	01-1M6055-00002	Vent Assy. – Motor	1
35	01-1000V8-00135	Motor Assy.	1
36	01-1M6104-00103	Cover – Stepper Motor	1
37	01-1M6104-00104	Harness – Stepper Motor	1
38	01-1M6340-00001	Vent Actuator Assy.	1
*39	01-1M4533-00012	Stand Assy. (12-Pan Capacity) (Incls. Items 40 & 41)	1
40	01-100V14-00047	Caster – Rigid Plate (With Brake)	2
41	01-100V14-00046	Caster – Swivel Plate	2
42	01-1M5575-00001	Cord – Power (120 V.) (Black, 8 Ft.)	1
43	01-100V17-00572	Grip – Cord (Aluminum)	1
	01-1M5860-00001	Thermostat Assy. (Hi-Limit) With Stuffing	1
	01-1000V4-00121	Insert – Nut 10-32 (For Door Gasket Retainer)	AR
	01-1M5379-00001	Shutter – Airflow (Back LH)	1
	01-1M5379-00002	Shutter – Airflow (Front RH)	4

* Optional Part

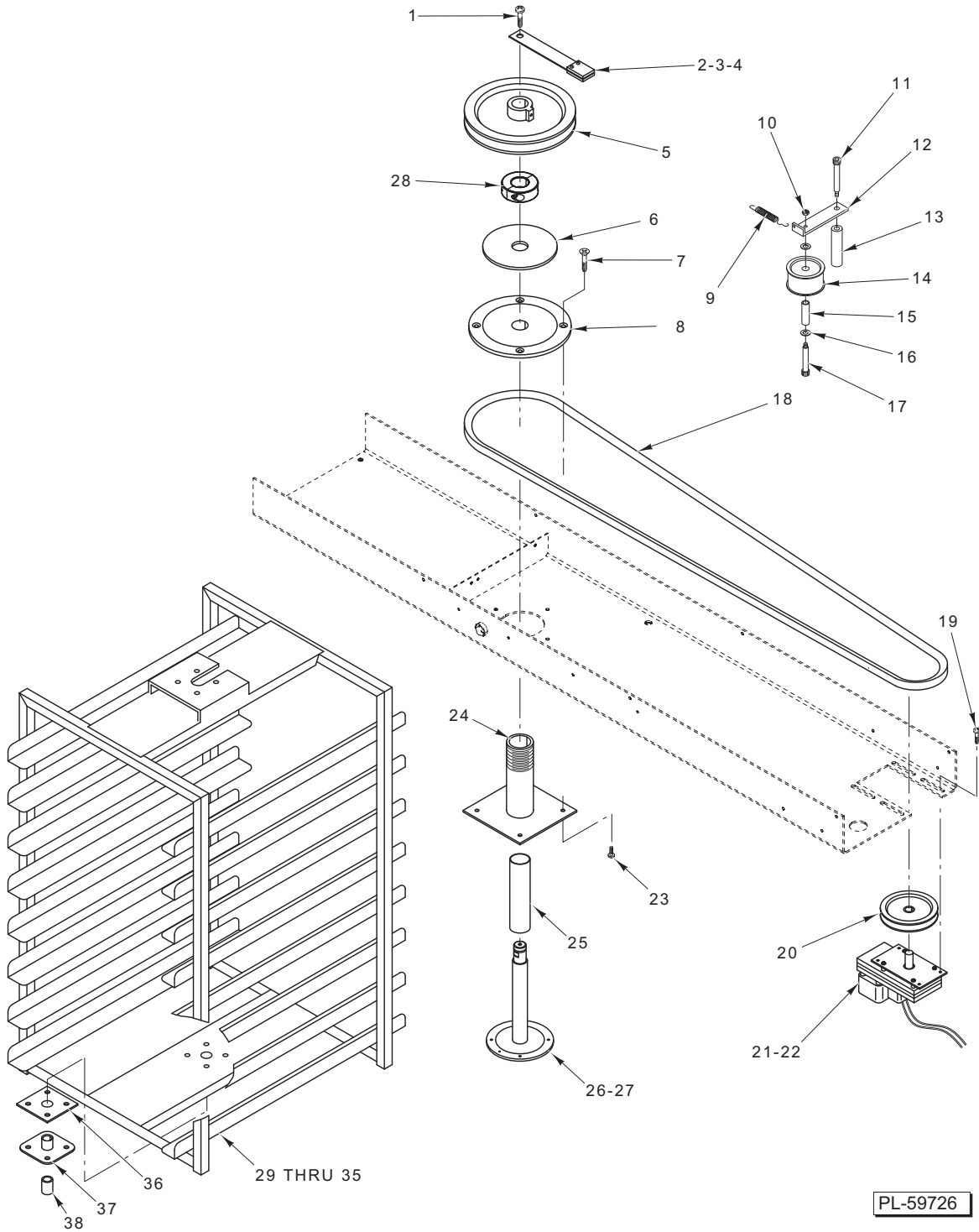


PL-59708

DOORS

DOORS

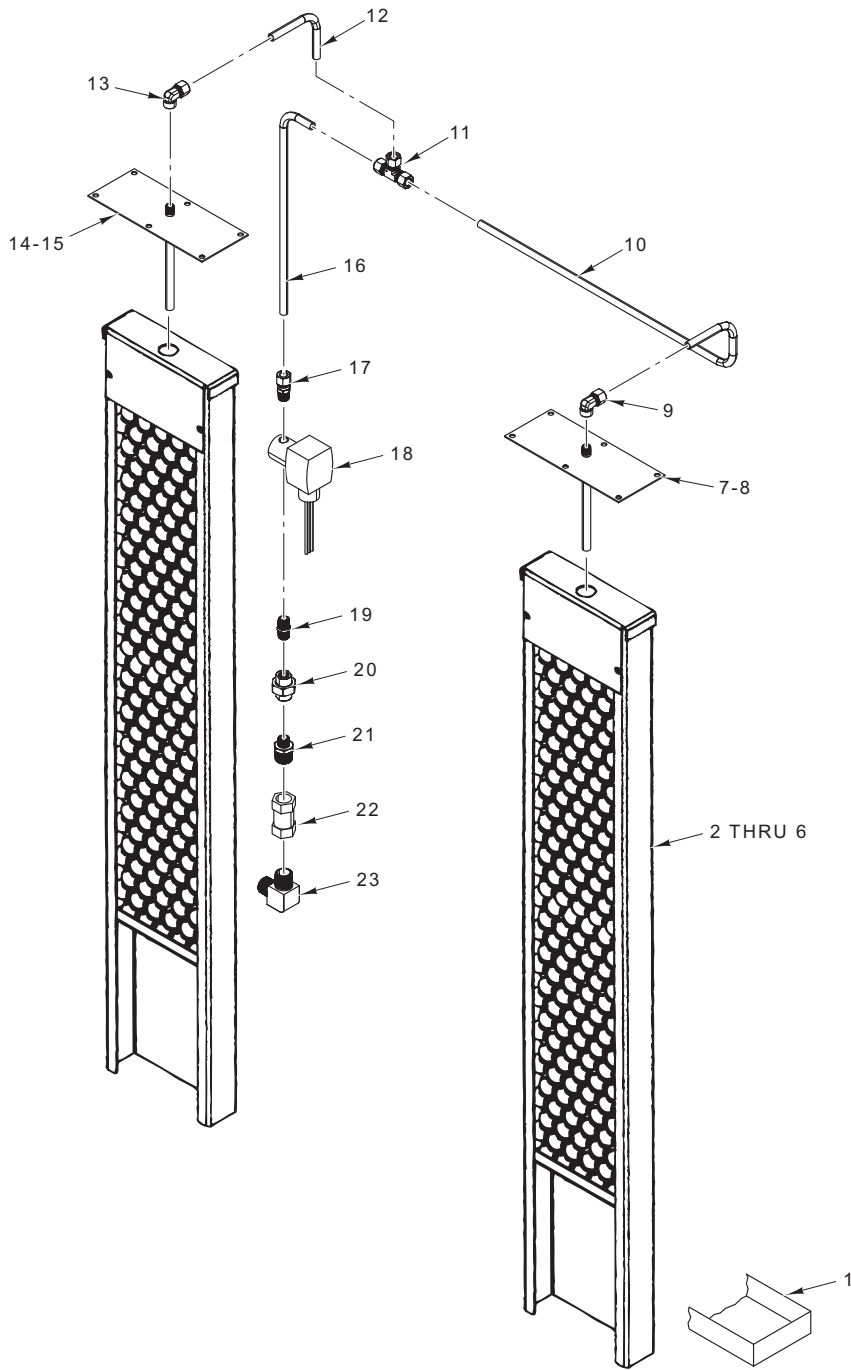
ILLUS.	PART NO.	NAME OF PART	AMT.
	PL-59708		
1	01-1M6468-00001	Handle Assy. – Left	1
2	01-1M6470-00001	Handle Assy. – Right.....	1
3	01-1M6419-00001	Door – Skin Left	1
4	01-1M6418-00001	Door – Skin Right.....	1
5	01-1M6189-00001	Bracket – Top Door Bearing Left.....	1
6	01-1M6189-00002	Bracket – Top Door Bearing Right	1
7	01-1000V0-00108	Bearing	1
8	01-1000V0-00107	Bearing	1
9	01-1000V0-00110	Bearing	1
10	01-1M6462-00001	Torque Arm – Hinge Side.....	1
11	01-1M6485-00001	Torque Arm – Left	1
12	01-1M6486-00001	Torque Arm – Right.....	1
13	01-100V16-00867	Glass – Outer Left Door.....	1
14	01-100V16-00868	Glass – Outer Right Door	1
15	01-1000V4-00350	Mach. Screw 10-32 x 3/8 Phil. Hd. (SST).....	2
16	01-1M6436-00001	Magnet Assy.....	1
17	01-1M6472-00001	Door – Inner.....	1
18	01-1M6473-00001	Mount – Left Door Handle Rotator	1
19	01-1M6474-00001	Mount – Right Door Handle Rotator	1
20	01-1000V4-00341	Washer.....	2
21	01-1000V0-00091	Ring – Snap	2
22	01-1M6432-00001	Rod – Connecting	1
23	01-1M6471-00001	Cradle Mechanism – Handle	1
24	01-1M6441-00001	Actuator – Left Latch.....	1
25	01-1M6442-00001	Actuator – Right Latch	1
26	01-1000V4-00339	Bolt – Carriage 10-32 x 1/2 (SST).....	2
27	01-1M6473-00001	Mount – Left Door Handle Rotator.....	1
28	01-1M6474-00001	Mount – Right Door Handle Rotator	1
29	01-1000V4-00325	Washer.....	1
30	01-1M6189-00001	Bracket – Top Door Bearing Left.....	1
31	01-1M6189-00002	Bracket – Top Door Bearing Right	1
32	01-1M6487-00001	Tube – Plastic.....	1
33	01-1M6415-00001	Latch Assy. (Top Right / Bottom Left).....	1
34	01-1M6480-00001	Latch Assy. (Top Left / Bottom Right).....	1
35	01-1M6463-00001	Tab – Door Latch Retaining	1
36	01-1000V0-00100	Bearing	1
37	01-1000V4-00364	Washer.....	3
38	01-1000V0-00107	Bearing	1
39	01-1M6415-00001	Latch Assy. (Top Right / Bottom Left).....	1
40	01-1M6480-00001	Latch Assy. (Top Left / Bottom Right).....	1
41	01-100V20-00028	Spring – Extension.....	1
42	01-100V16-00881	Gasket	1
	01-1M6421-00001	Door – Left (Complete Assy.).....	1
	01-1M6420-00001	Door – Right (Complete Assy.).....	1



ROTATOR AND RACK ASSEMBLY

ROTATOR AND RACK ASSEMBLY

ILLUS.	PART NO.	NAME OF PART	AMT.
PL-59726			
1	-	Screw $1/4$ -20 x $1/2$ Truss Hd.....	1
2	00-175999	Actuator – Magnetic.....	1
3	01-1M3383-00001	Plate – Magnet Mounting.....	1
4	-	Screw 6-32 x $3/8$ Pan Hd.....	2
5	01-1000V3-00090	Sheave.....	1
6	01-1000V0-00071	Bearing – Rotator Thrust.....	1
7	-	Screw $1/4$ -20 x $1/2$ Flat Hd.....	4
8	01-1M3358-00003	Disk – Thrust.....	1
9	01-100V20-00009	Spring – Tension.....	1
10	-	Nut $5/16$ -18 Hex (Nylock).....	1
11	01-1000V4-00296	Bolt – Shouldered $1/2$ Dia., $3/8$ -16 x $1 3/4$ Allen Hex Hd.....	1
12	01-1M3527-00001	Bracket – Rotator Idler.....	1
13	01-1M3526-00002	Tube – Rotator Idler.....	1
14	01-1000V3-00107	Pulley – Rotator Idler.....	1
15	01-1000V0-00038	Bearing – Journal.....	1
16	-	Washer $3/8$ (SST).....	3
17	01-1000V4-00295	Bolt – Shouldered $3/8$ Dia., $5/16$ -18 x $1 1/4$ Allen Hex Hd.....	1
18	01-1000V3-00093	V-Belt.....	1
19	-	Screw 10-32 x $1/2$ Truss Hd.....	8
20	01-1000V3-00106	Sheave – Die Cast ($3/8$ In. Bore).....	1
21	01-1M3360-00001	Plate – Rotator Drive.....	1
22	01-1M6053-00001	Motor – Gear Mini Rack (Incls. 2 $1/2$ In. Blade Assy.).....	1
23	-	Screw 10-32 x $1/2$ Truss Hd.....	4
24	01-1M3363-00003	Housing – Upper Rotator.....	1
25	01-1000V0-0072A	Bearing – Rotator (Upper).....	1
26	01-1M3365-00003	Shaft – Rotator.....	1
27	01-1000V1-00043	Pin – Cotter.....	AR
28	01-1000V1-00076	Collar – Shaft.....	1
29	01-1M5965-00005	Rack – End Load (5-Pan).....	1
30	01-1M5965-00006	Rack – End Load (6-Pan).....	1
31	01-1M5965-00008	Rack – End Load (8-Pan).....	1
32	01-1M5965-00010	Rack – End Load (10-Pan).....	1
33	01-1M5965-00012	Rack – End Load (12-Pan).....	1
34	01-1M5967-00006	Rack – Side Load (6-Pan).....	1
35	01-1M5967-00008	Rack – Side Load (8-Pan).....	1
36	01-1M3366-00001	Shaft – Lower Rotator.....	1
37	01-1M3364-00002	Bearing – Lower Rotator.....	1
38	01-1000V0-0072B	Bearing – Rotator (Lower).....	1
	01-1M3525-00002	Pulley – Idler (Incls. Items 11 thru 17).....	1



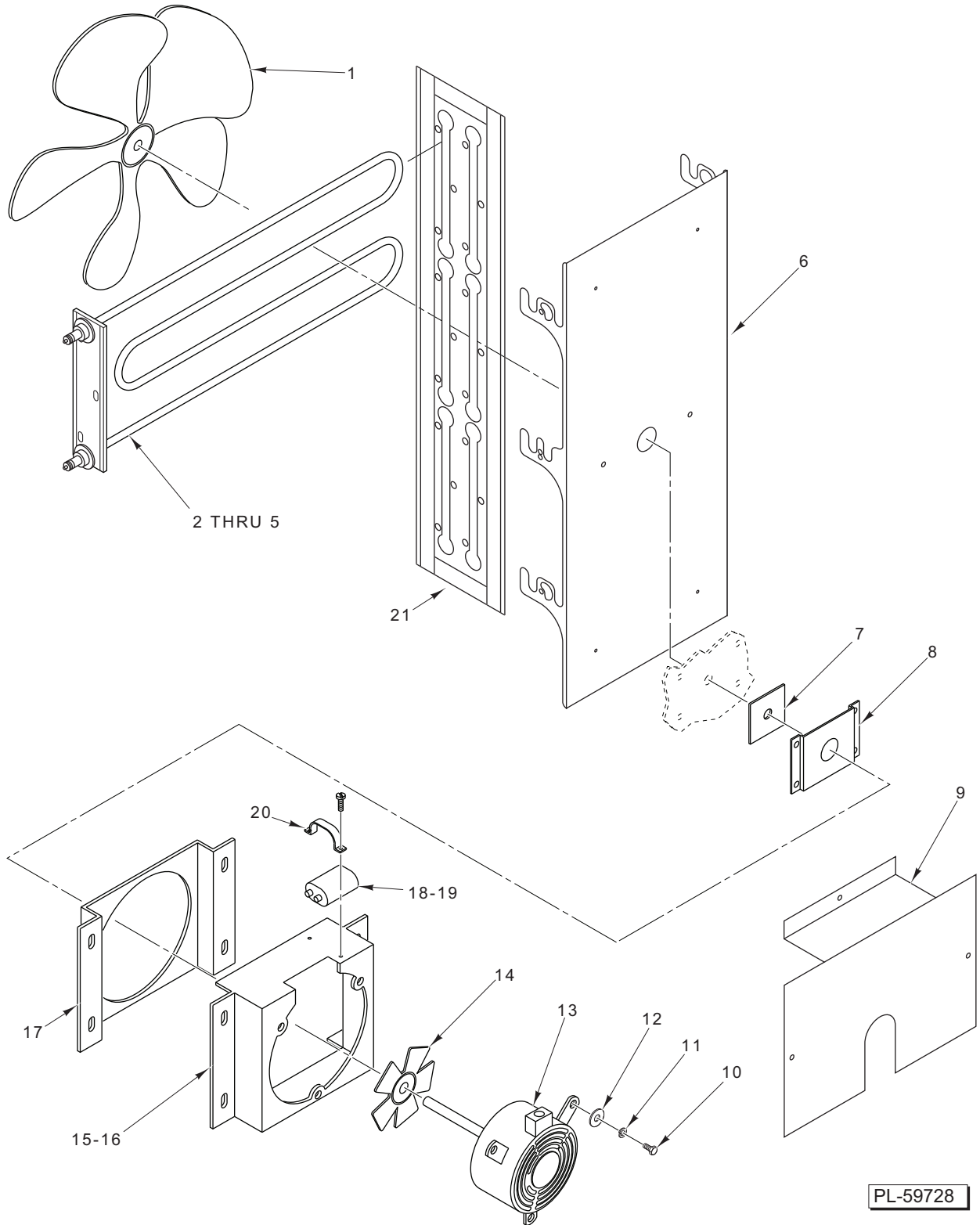
PL-59727

WATER/STEAM SUPPLY

WATER/STEAM SUPPLY

ILLUS.	PART NO.	NAME OF PART	AMT.
PL-59727			
1	01-1M4411-00002	Pan – Auxiliary Drain	1
2	01-1M6004-00001	Steamer Mass Assy.	2
3	01-1M6004-00104	Retainer – Steamer Balls.....	1
4	01-1M6004-00105	Retainer – Steamer Bottom	1
5	01-1M6004-00106	Cover – Steamer Assy.	1
6	01-1M5975-00001	Steam Ball Casting	4
7	01-1M4272-00002	Manifold – Steamer Assy. (Incls. Item 8).....	1
*8	01-100V21-0039A	Tape – Silicone Gasket (20 In. Per Manifold)	1
9	01-100V17-00666	Elbow ³ / ₈ x 90 Deg. Compression (Brass).....	1
10	01-1M6495-00002	Tube – Copper (Water Supply to Front Manifold)	1
11	01-100V17-00506	Tee ³ / ₈ Compression (Brass).....	1
12	01-1M6495-00003	Tube – Copper (Water Supply to Rear Manifold).....	1
13	01-100V17-00666	Elbow ³ / ₈ x 90 Deg. Compression (Brass).....	1
14	01-1M4272-00002	Manifold – Steamer Assy. (Incls. Item 15).....	1
*15	01-100V21-0039A	Tape – Silicone Gasket (20 In. Per Manifold)	1
16	01-1M6495-00001	Tube – Copper (Water Supply to Tee)	1
17	01-100V17-00341	Fitting – Straight (Brass)	1
18	01-100V17-00075	Valve – Solenoid	1
19	01-100V17-00083	Fitting – Straight (Brass).....	1
20	01-100V17-00661	Union ¹ / ₄ (Brass).....	1
21	01-100V17-00424	Pipe – Close ¹ / ₄ (Brass).....	2
22	01-100V17-00566	Regulator – Flow.....	1
23	01-100V17-00662	Elbow ¹ / ₂ x 90 Deg. (Brass).....	1

* Sold Per Inch



HEATING ELEMENTS AND AIR CIRCULATION SYSTEM

HEATING ELEMENTS AND AIR CIRCULATION SYSTEM

ILLUS.	PART NO.	NAME OF PART	AMT.
	PL-59728		
1	01-1000V8-00094	Blade – Fan Circulation	1
2	01-1M6162-00240	Element – Heating (240 V.) W-Shape	6
3	01-1M6162-00208	Element – Heating (208 V.) W-Shape	6
4	01-1M6162-00480	Element – Heating (480 V.) W-Shape	6
5	01-1000V5-00029	Terminal – Bare Ring Tongue #10	12
6	01-1M4354-00002	Support – Element	1
7	01-1M3343-00002	Seal – Fan	1
8	01-1M3342-00001	Retainer – Seal	1
9	01-1M4352-00002	Cover – Insulation	1
10	-	Bolt 1/4-20 x 3/4 Hex Hd.	3
11	-	Lockwasher 1/4	3
12	-	Washer 1/4	3
13	01-1000V8-00101	Motor – Circulation.....	1
14	01-1000V8-00097	Blade – Fan (Motor).....	1
15	01-1M4390-00002	Base – Motor Bracket (Incls. Item 16)	1
16	01-1000V4-00122	Insert – Threaded.....	3
17	01-1M4447-00002	Channel – Fan Inlet	1
18	01-1A2141-00001	Kit – Rotator Capacitor (Incls. Items 19 & 20)	1
19	01-1000V8-0049C	Capacitor	1
20	01-1000V8-0049D	Capacitor Mounting Bracket	1
21	01-1M5986-00001	Seal – Plate Assy.	1
	01-1M4446-00001	Circulation Motor Assy. (Incls. Items 10 thru 20).....	1
	01-1M5593-00001	Panel – Pressure Assy.	1

