



# VACUUM PACKING MACHINE SE-416 120/50-60/1

Tabletop model. 16 m<sup>3</sup>/h. 420 mm.



Cód. 1140637

## FEATURES AND BENEFITS

- ✓ Powered by Busch.
- ✓ Vacuum controlled by sensor.
- ✓ Vacuum PLUS.
- ✓ Digital keyboard.
- ✓ Control panel equipped with display indicating the exact vacuum percentage.
- ✓ "Pause" button to marinate food.
- ✓ Safe liquid packing thanks to sensor control.
- ✓ Double seal.
- ✓ Cordless sealing bar.
- ✓ Bag-sealing programme.
- ✓ Pulse-controlled decompression.
- ✓ Vac-Norm ready with Automatic decompression.
- ✓ Stainless steel body and chamber. Deep-drawn chamber.
- ✓ Damped transparent lid of highly durable polycarbonate.
- ✓ Dry-oil programme for drying the pump.
- ✓ Working hours counter for oil changes.
- ✓ Safety system with protection against vacuum failure.

## INCLUDES

- ✓ Sensor Controls
- ✓ Up to 10 seconds of extra vacuum pull
- ✓ Soft air function
- ✓ Dry oil cycle
- ✓ BUSCH pump
- ✓ NSF Approved
- ✓ Clear methacrylate lid
- ✓ Filling plate



## SALES DESCRIPTION

420 mm. sealing bar.  
 16 m<sup>3</sup>/h Busch vacuum pump.  
 Vacuum controlled by sensor.

FOOD PRESERVATION AND SOUS-VIDE  
 VACUUM PACKING MACHINES - "SENSOR" LINE



**sammic** | [www.sammic.us](http://www.sammic.us)  
**Food Service Equipment Manufacturer**

[usa@sammic.com](mailto:usa@sammic.com) phone +1 (224) 307-2232  
 1225 Hartrey Avenue toll free +1 844 275 3848  
 60202-1056 Evanston, IL



Project	Date
Item	Qty
Approved	

product sheet  
 updated 19/04/2018



# VACUUM PACKING MACHINE SE-416 120/50-60/1

Tabletop model. 16 m<sup>3</sup>/h. 420 mm.



Cód. 1140637

## SPECIFICATIONS

- Pump capacity: 560 cf/h
- Bar length: 16.5 "
- Total loading: -- Hp
- Vacuum pressure (maximum): 2 mbar
- Electrical supply: 120 V / 60 Hz / 1 ~ (8 A)

### Internal dimensions

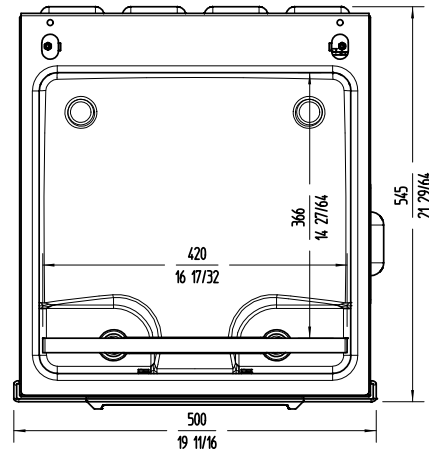
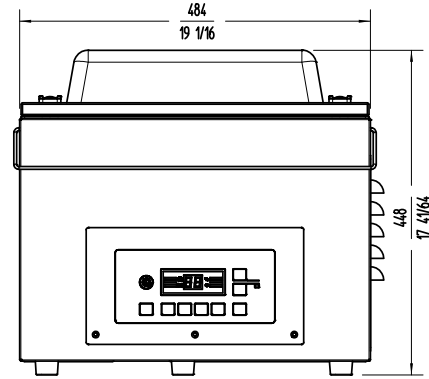
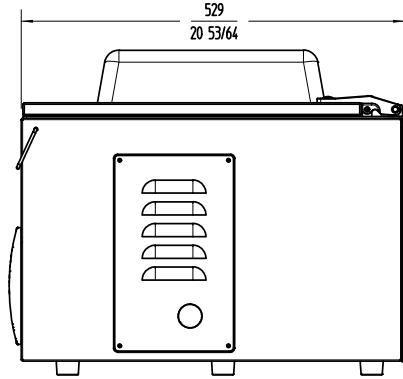
- ✓ Width: 17 "
- ✓ Depth: 16 "
- ✓ Height: 7 "

### External dimensions (WxDxH)

- ✓ Width: 19 "
- ✓ Depth: 20.8 "
- ✓ Height: 17.6 "
- Net weight: 144 lbs.
- Noise level (1m.): -- dB(A)
- Background noise: 32 dB(A)

### Crated dimensions

- 600 x 600 x 620 mm
- Gross weight: 56.5 Kg.



## ACCESSORIES

- Bag cutting kits
- Filling plates
- Liquid insert plates
- Vac-norm external vacuum kits
- Vac-norm containers
- Smooth bags for vacuum packing
- Trolley for vacuum packing machines

FOOD PRESERVATION AND SOUS-VIDE  
VACUUM PACKING MACHINES - "SENSOR" LINE

**sammic** | www.sammic.us  
Food Service Equipment Manufacturer

usa@sammic.com  
1225 Hartrey Avenue  
60202-1056 Evanston, IL

phone +1 (224) 307-2232  
toll free +1 844 275 3848



Project

Date

Item

Qty

Approved

product sheet  
updated 19/04/2018