

APPLICATION:

PRODUCT NAME:
ULTRA SPRAY VALVE PLUS

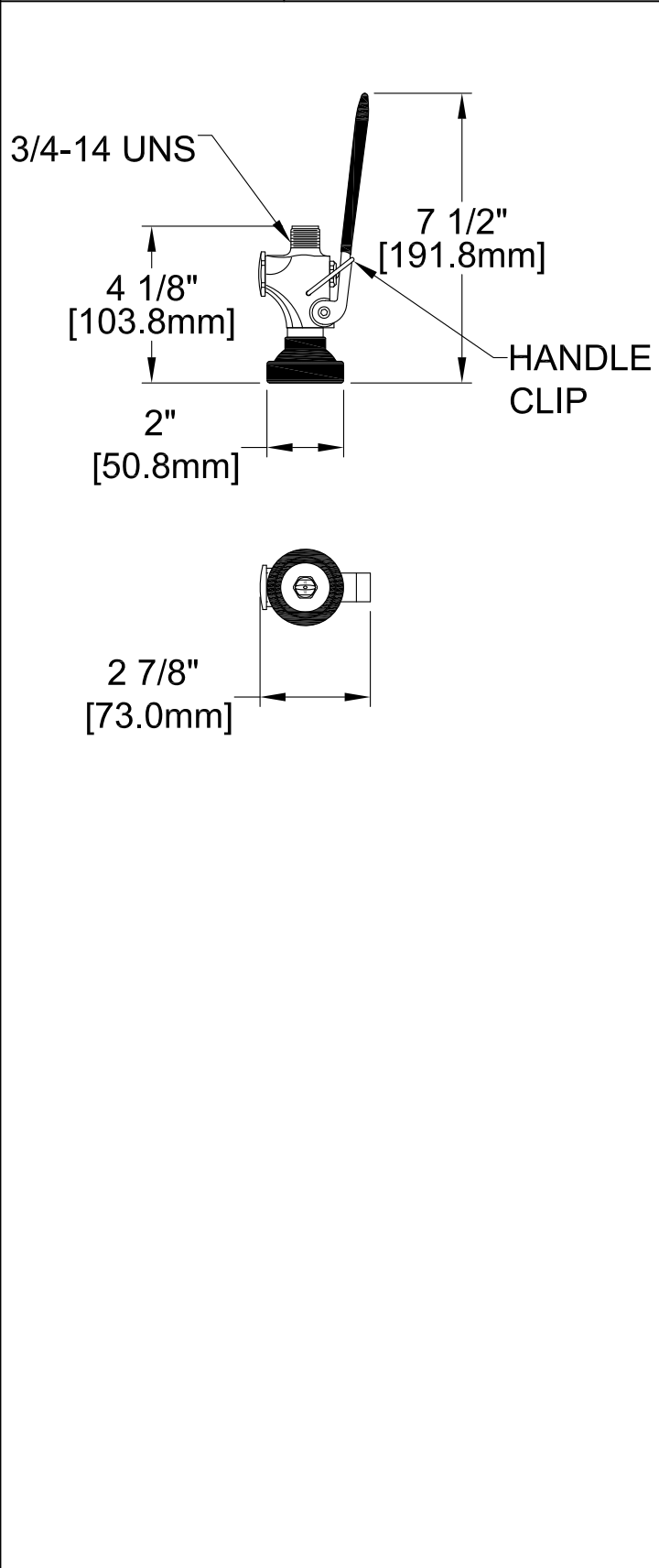
JOB NAME:

MODEL:

QUANTITY:

ITEM NO.:

- 2949 W/ 1.15 GPM NOZZLE
- 13641 W/ .70 GPM NOZZLE



OPTIONS OR MODIFICATIONS:

OTHER _____

FEATURES

ULTRA SPRAY VALVE PLUS

- * LOWEST ENERGY USER - 1.15 GPM @ 60 PSI
- * CLEANS FASTER - TEST PROVEN
- * ENGINEERED TO LAST - NO 'O' RINGS TO LEAK
- * INTERCHANGEABLE - FITS ALL BRANDS

ULTRA SPRAY VALVE PLUS 7

- * LOWEST ENERGY USER - .70 GPM @ 60 PSI
- * CLEANS FASTER - TEST PROVEN
- * ENGINEERED TO LAST - NO 'O' RINGS TO LEAK
- * INTERCHANGEABLE - FITS ALL BRANDS

SYSTEM LIMITS

- * TEMP: 40°F MIN. TO 160°F MAX.
- * PRESSURE: 200 PSI MAX. STATIC

SHIPPING WEIGHT

- * 1.5 LBS

PRODUCT COMPLIANCE:

- * ASME A112.18.1 / CSA B125.1
- * NSF 61 - Section 9
- * NSF 372 (Low Lead Content)
- * 2019 DOE PRSV - Class II & Class I



FISHER MANUFACTURING COMPANY
TOLL FREE: 800-421-6162 - FAX: 800-832-8238
information@fisher-mfg.com - www.fisher-mfg.com