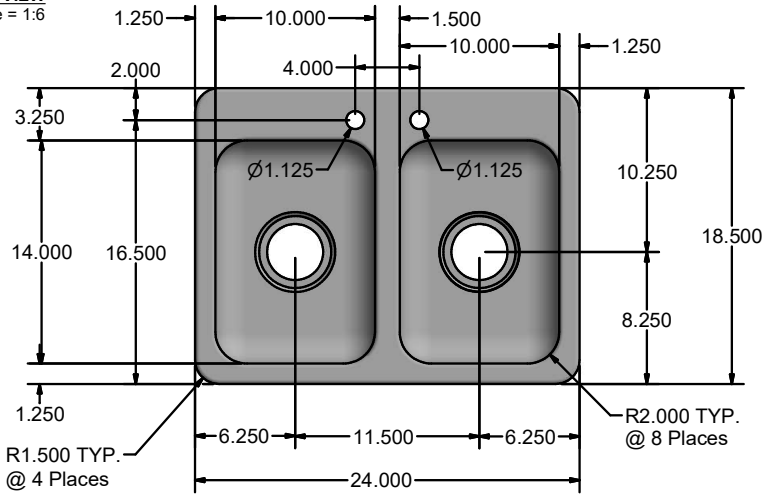
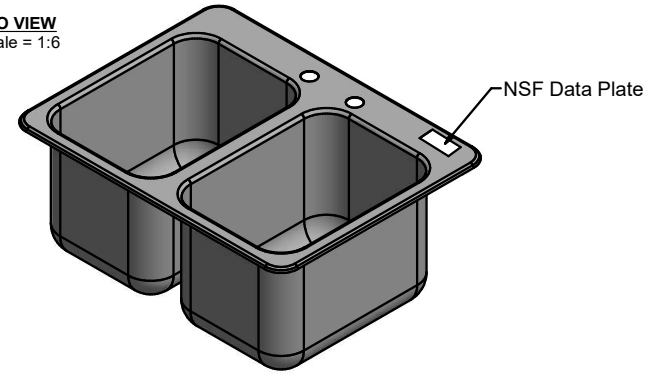


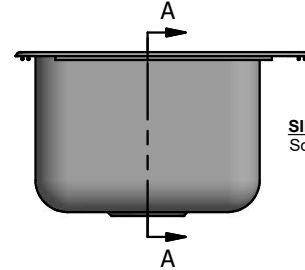
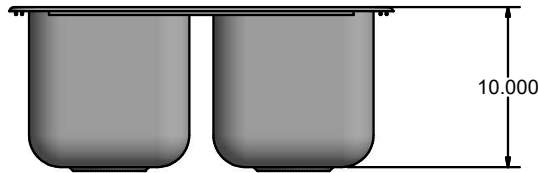
**TOP VIEW**  
Scale = 1:6



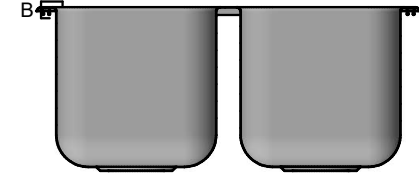
**ISO VIEW**  
Scale = 1:6



**FRONT VIEW**  
Scale = 1:6

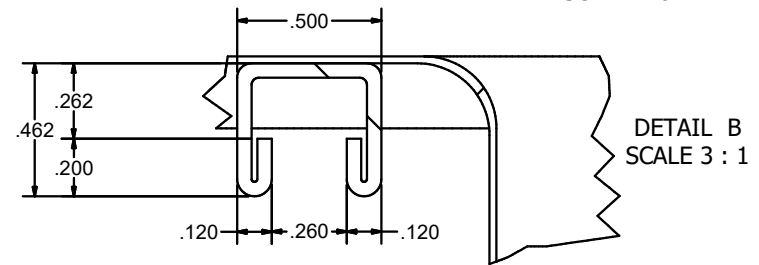
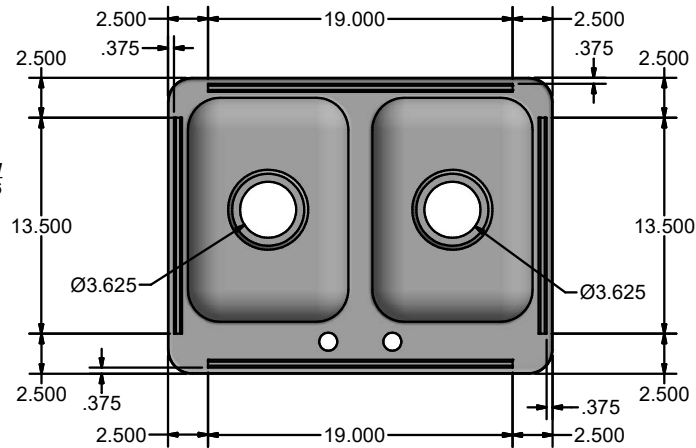


**SIDE VIEW**  
Scale = 1:6



**SECTION A-A**  
SCALE 1:6

**BOTTOM VIEW**  
Scale = 1:6



**DETAIL B**  
SCALE 3 : 1

**GENERAL NOTES:**

- 1.) Units of Measure: Inches
- 2.) Content is exclusive property of BK Resources. This may not be replicated or distributed without the written consent of BK Resources.
- 3.) Material: T-304 20 ga Stainless Steel (.038 thick)
- 4.) Finish: #4 polished finish on all exposed surfaces
- 5.) Tolerance: (+/-) 0.125

<b>BK RESOURCES</b>		120 Frontage Rd. Altamont, IL 62411	
Part #: <b>DDI2-10141024</b>		REVISIONS	
Description: 2 Comp DropIn Sink 10 x 14 x 10D Bowls		Description:	Date:
AUTHOR: Tyler Arnold	DWG NO		
DATE: 1/8/2018	<b>DDI2-10141024</b>		
SCALE: As Noted	SHEET 1 OF 1		