



DIRECT STEAM KETTLE

MODEL PT

Kettle shall be a Groen Model PT (Specify 20, 40, 60, 80, 100, 125 or 150-gallon) stainless steel, 2/3 steam jacketed unit operation from direct steam.

PROJECT NAME:

LOCATION:

ITEM NO:

QTY:

MODEL NO:

AIA NO:

SIS NO:

CONSTRUCTION: Kettle shall be of type 316 stainless steel, with solid one-piece welded construction. Unit shall be provided with a heavy, durable bar rim with a continuous seal weld on the underside to ensure maximum durability and sanitation. Unit provided with faucet bracket as standard.

FINISH: Interior of kettle shall be polished to a 180 emery grit finish. Exterior of kettle shall be finished to a bright high buff finish, ensuring maximum ease in cleaning and maintaining brilliant appearance.

ASME CODE: Unit shall be ASME shop-inspected, stamped and registered with the National Board for operation up to a maximum working pressure of 25 PSI.

SANITATION: Unit shall be designed and constructed to be NSF-listed, meeting NSF and all known health department and sanitation codes.

DRAWOFF: Unit shall have a 2" sanitary tangent drawoff which is a 316 stainless steel compression disc drain valve, for easy disassembly without tools. Larger 3" drawoff available. The drain outlet shall be equipped with a removable 1/4" perforated stainless steel strainer.

COVER: Cover furnished on 40-gallon and smaller units shall be hinged dome one-piece cover. 60 to 150-gallon units shall be furnished with No. 51 counterbalanced actuator, designed to maintain the cover in an open or closed position.

STEAM PRESSURE: Kettle shall operate dependably at any steam pressure between 5 and 25 PSI. Higher working pressures available.

MOUNTING: Unit shall be mounted on an all stainless steel pedestal base, with the outer circumference of the pedestal flanged down vertically to ensure proper sealing to the floor or deck.

INSTALLATION: Remote steam source required. Steam trap assembly is required and not provided unless ordered as an option. See dimension R on other side for steam inlet size and number.

ORIGIN OF MANUFACTURE: Designed and manufactured in the United States.

SHORT FORM: Stainless Steel 2/3 Steam Jacketed Kettle, Pedestal Mounted, Stationary, Direct Steam, 20 to 150-gallon capacities. (model PT-40 shown)

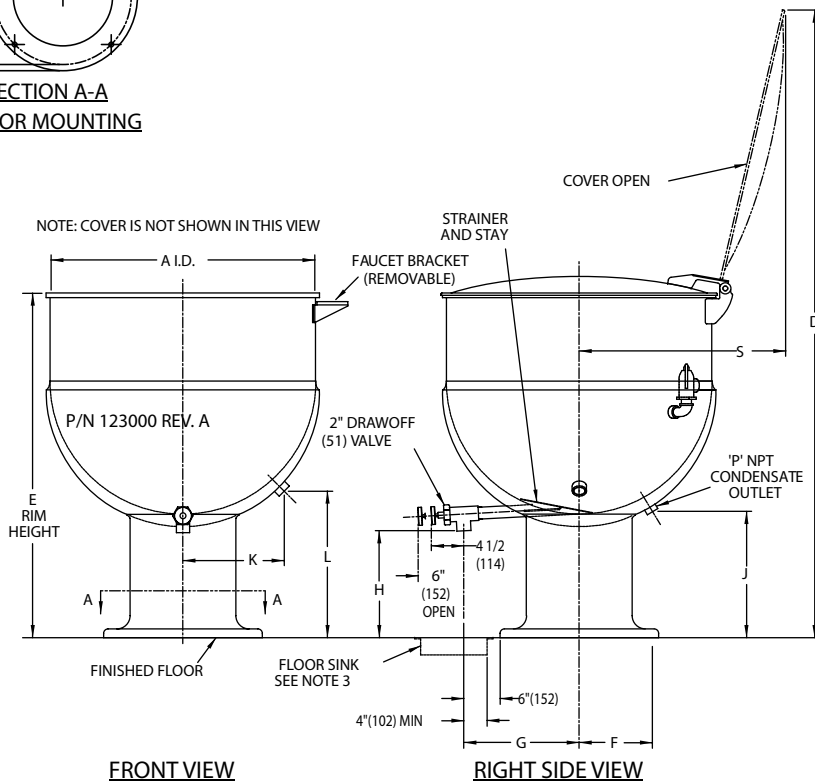
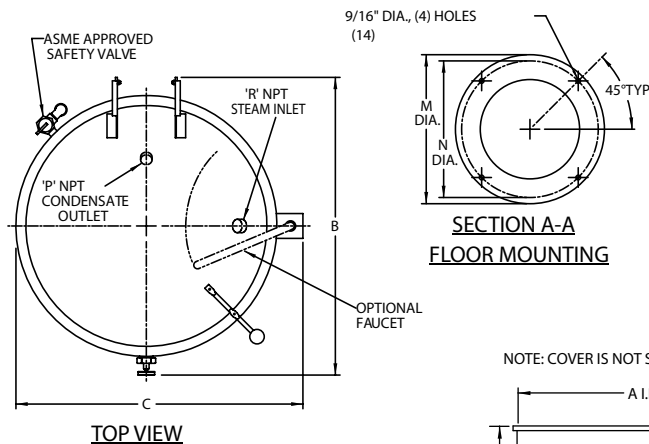


OPTIONS/ACCESSORIES:

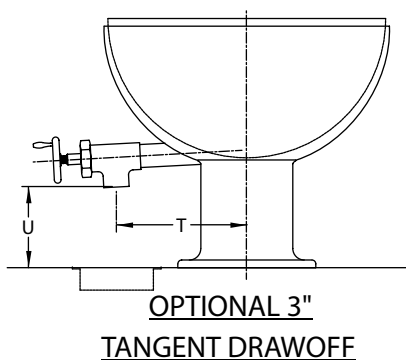
- Basket inserts (TRI-BC)
- Single pantry water faucet
- Double pantry water faucet
- Higher working pressure
- 3" tangent drawoff
- 1/8" perforated disc strainer
- 1/4" perforated disk strainer
- Solid disc strainer
- Cold water jacket cooling
- Steam trap assemblies
- Kettle brush kit
- Steam regulators
- Contour measuring strip
- Gallon etch marks
- Contour measuring strip
- Gallon etch marks



P/N 123000 REV A



- NOTES:**
1. MODEL #51 COUNTERBALANCED COVER FURNISHED ON KETTLES MEASURING 60 GALS. AND LARGER.
 2. KETTLE MUST BE SECURELY ANCHORED TO THE FLOOR.
 3. POSITION CENTER OF TANGENT DRAWOFF SPOUT 4-5" OVER FLOOR SINK FOR PROPER OPERATION.
 4. DIMENSIONS IN BRACKETS () ARE MM.



| | | TABLE OF DIMENSIONS | | | | | | | | | | | | | |
|------|-----------|---------------------|------|--------|------|--------|------|--------|------|--------|------|--------|------|--------|------|
| DIM. | GAL. CAP. | 20 | | 40 | | 60 | | 80 | | 100 | | 125 | | 150 | |
| | | INCH | MM | INCH | MM | INCH | MM | INCH | MM | INCH | MM | INCH | MM | INCH | MM |
| A | | 20 | 504 | 26 | 660 | 30 | 762 | 32 | 813 | 36 | 914 | 38 | 965 | 42 | 1067 |
| B | | 26 1/4 | 667 | 31 3/4 | 806 | 36 | 914 | 39 | 991 | 40 | 1016 | 42 | 1067 | 46 | 1168 |
| C | | 22 | 559 | 28 | 711 | 32 | 813 | 34 | 864 | 38 | 965 | 40 | 1016 | 44 1/2 | 1130 |
| D | | 59 | 1499 | 65 | 1651 | 67 | 1702 | 73 | 1854 | 77 | 1956 | 83 | 2108 | 86 | 2184 |
| E | | 36 | 914 | 36 | 914 | 39 | 991 | 43 | 1092 | 44 | 1118 | 48 | 1219 | 48 | 1219 |
| F | | 5 1/2 | 140 | 7 | 178 | 8 | 203 | 8 | 203 | 8 | 203 | 12 | 305 | 12 | 305 |
| G | | 12 | 305 | 13 1/4 | 343 | 14 1/2 | 368 | 14 1/2 | 368 | 14 1/2 | 368 | 17 1/2 | 445 | 17 1/2 | 445 |
| H | | 15 1/2 | 400 | 11 3/4 | 298 | 11 3/4 | 298 | 11 3/4 | 298 | 11 3/4 | 298 | 11 3/4 | 298 | 11 3/4 | 298 |
| J | | 17 | 432 | 14 | 356 | 13 1/2 | 343 | 14 | 356 | 14 | 356 | 16 | 406 | 16 1/2 | 419 |
| K | | 8 | 203 | 10 1/4 | 260 | 11 1/2 | 292 | 12 1/4 | 311 | 13 1/2 | 343 | 14 1/4 | 362 | 15 3/4 | 362 |
| L | | 18 3/4 | 476 | 15 3/4 | 400 | 16 1/4 | 413 | 16 1/2 | 419 | 17 1/2 | 445 | 17 1/2 | 445 | 18 | 457 |
| M | | 12 | 305 | 16 | 406 | 18 | 457 | 18 | 457 | 18 | 457 | 24 | 610 | 24 | 610 |
| N | | 10 1/4 | 260 | 14 1/2 | 368 | 16 1/2 | 419 | 16 1/2 | 419 | 16 1/2 | 419 | 22 1/2 | 572 | 22 1/2 | 572 |
| P | | 1/2 | 13 | 1/2 | 13 | 1/2 | 13 | 3/4 | 19 | 3/4 | 19 | 3/4 | 19 | 3/4 | 19 |
| R | | 1/2 | 13 | 3/4 | 19 | 3/4 | 19 | 1 | 25 | 1 | 25 | 1 | 25 | 1 | 25 |
| S | | 18 | 457 | 25 | 635 | - | - | - | - | - | - | - | - | - | - |
| T | | 14 | 356 | 16 | 406 | 17 | 432 | 17 | 432 | 17 | 432 | 20 | 508 | 20 | 508 |
| U | | 14 3/4 | 375 | 10 3/4 | 273 | 10 3/4 | 273 | 10 3/4 | 273 | 10 3/4 | 273 | 10 3/4 | 273 | 10 3/4 | 273 |