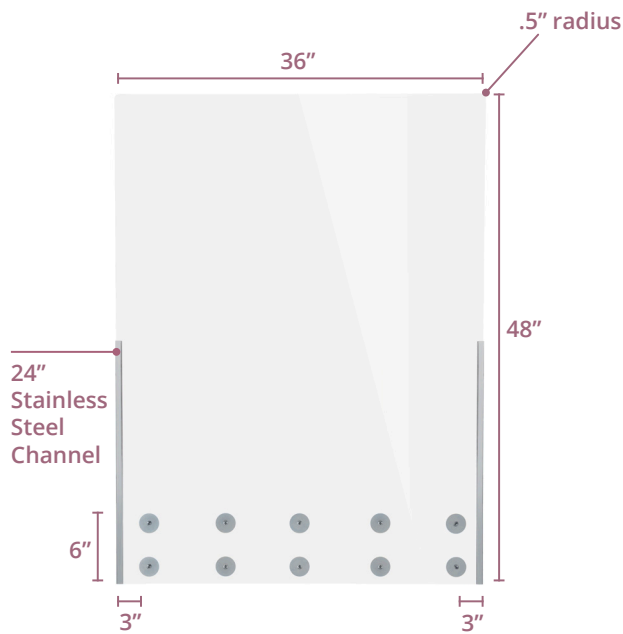




PRACTICE SAFE SOCIAL DISTANCING WITH OUR HEALTH SAFETY SHIELD

MADE IN THE USA. READY TO SHIP WITHIN 48 HOURS.

Bon Chef Acrylic Safety Shields are the instant pop-up solution for retail checkout lines, hotel reception and any other interactive activities. Featuring an optically clear sleek design, these shields provide convenient and practical protection. Support and strength are enhanced by a 24" stainless steel channel.

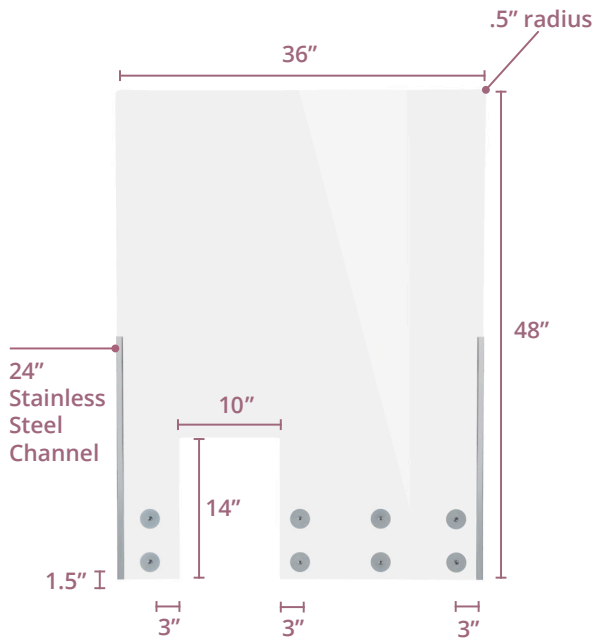


HEALTH SAFETY SHIELD

ITEM 90150

READY TO SHIP WITHIN 48 HOURS

- 36" L x 48" H x .25" D
- .5" RADIUS CORNERS
- POLISHED EDGES
- NO CUTOUT
- EASY INSTALLATION, MOUNTING HARDWARE INCLUDED*



HEALTH SAFETY SHIELD WITH POS WINDOW

ITEM 90151

READY TO SHIP WITHIN 48 HOURS

- 36" L x 48" H x .25" D
- .5" RADIUS CORNERS
- POLISHED EDGES
- INCLUDES 10" x 14" POS WINDOW
- WINDOW CAN BE PLACED LEFT, CENTER, OR RIGHT ALIGNED
- EASY INSTALLATION, MOUNTING HARDWARE INCLUDED*

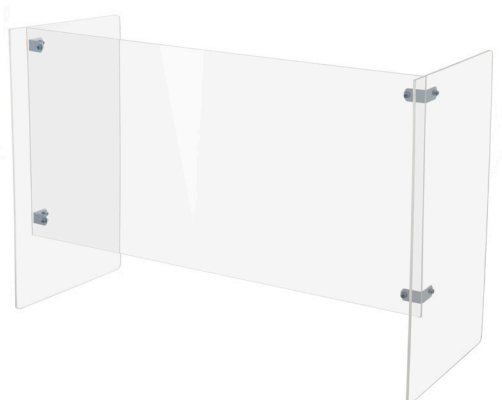
CUSTOM SIZES AVAILABLE

Do you need a safety shield in a different size?
Simply email us the dimensions you require
and we can produce yours per your specification needs.

Contact us at **1-800-331-0177** or **info@bonchef.com**



*Tools required: screwdriver, power drill, 5/16th spurpoint / dowel bit (preferred) or regular 5/16th bit. Care: non-abrasive cleaners only. No ammonia containing cleansers.

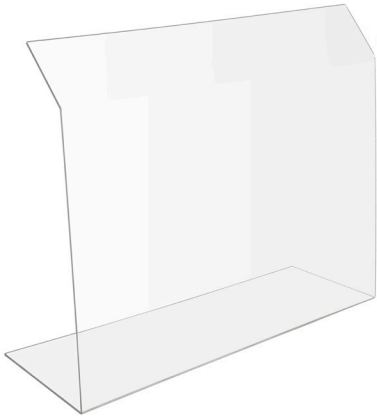


TABLETOP TRANSACTION HEALTH SAFETY SHIELD

ITEM 90160

READY TO SHIP WITHIN 48 HOURS

- 36"W X 12"D X 24"H
- GALVANIZED CONNECTING HARDWARE
- 6" HEIGHT BELOW ACRYLIC SHIELD FOR TRANSACTIONS
- ASSEMBLY REQUIRED

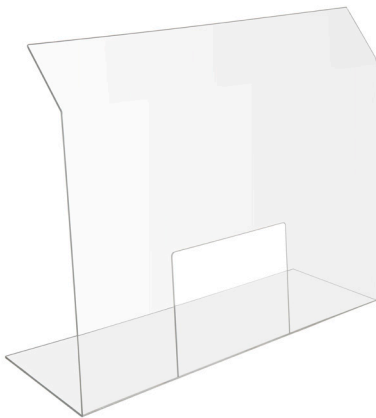


STANDALONE TABLETOP HEALTH SAFETY SHIELD

ITEM 90165

READY TO SHIP WITHIN 48 HOURS

- 31.75" x 12" x 29"
- NO ASSEMBLY REQUIRED



STANDALONE TABLETOP HEALTH SAFETY SHIELD WITH POS WINDOW

ITEM 90166

READY TO SHIP WITHIN 48 HOURS

- 31.75" x 12" x 29"
- INCLUDES 10" X 8" TRANSACTION WINDOW
- WINDOW CAN BE PLACED LEFT, CENTER, OR RIGHT ALIGNED
- NO ASSEMBLY REQUIRED

CUSTOM SIZES AVAILABLE

Do you need a safety shield in a different size?
Simply email us the dimensions you require
and we can produce yours per your specification needs.

Contact us at 1-800-331-0177 or info@bonchef.com



*Tools required: screwdriver, power drill, 5/16th spurpoint / dowel bit (preferred) or regular 5/16th bit. Care: non-abrasive cleaners only. No ammonia containing cleansers.