

# Continental

## Refrigerator

Project Name: \_\_\_\_\_  
 Model Specified: \_\_\_\_\_  
 Location: \_\_\_\_\_  
 Item No. \_\_\_\_\_ Quantity: \_\_\_\_\_

### Single Draft Beer Cooler

Model:  KC24



Model KC24

### Options & Accessories

- Remote -R
- Stainless Steel Interior for NSF 7 - approved for open food
- Shelves and Pilasters
- SS Models - Stainless Steel Exterior, Galvanized Steel Interior
- Electric Condensate

### Standard Features

- Modern, State-of-the-Art Styling
- Performance Rated Refrigeration System Utilizing Environmentally Safe R-134a Refrigerant
- Wear Resistant Black Vinyl Coated Steel Exterior with 304 Series Stainless Steel Countertop
- Heavy-Duty, Long Lasting, Galvanized Steel Interior with Reinforced Stainless Steel Floor
- Stainless Steel Reinforced Threshold Sills for Ease of Loading
- Cylinder Keyed Security Lock and Magnetic Snap-In Gasket on Each Door
- Full Length, Extra Large, Non-Corrosive, Plasticized Fin Evaporator Coil Provides Uniform Air Flow Distribution To Maintain Constant Keg Temperature and Quick Uniform Recovery
- Continuously Cooled 3" Diameter Beer Column with Stainless Steel Lever Faucet, and Keg Line Tubing with Clamps
- Easily Removable Stainless Steel Drip Tray with Interior Mounted Cleanout Drainage Bottle
- Easily Accessible and Serviceable Slide-Out Condensing Unit
- Readily Removable Rear Venting Louvred Grill and Side Louvres Allow Greater Condenser Air Flow for Tight Fit Installations
- Automatic, Energy Saving, Non-Electric Condensate Disposal
- High Density, Non-CFC Polyurethane Foamed-In-Place Insulation
- 4" Locking Casters



Approval: \_\_\_\_\_



Project Name: \_\_\_\_\_ Model Specified: \_\_\_\_\_  
 Location: \_\_\_\_\_ Item No. \_\_\_\_\_ Quantity: \_\_\_\_\_

**SPECIFICATIONS**

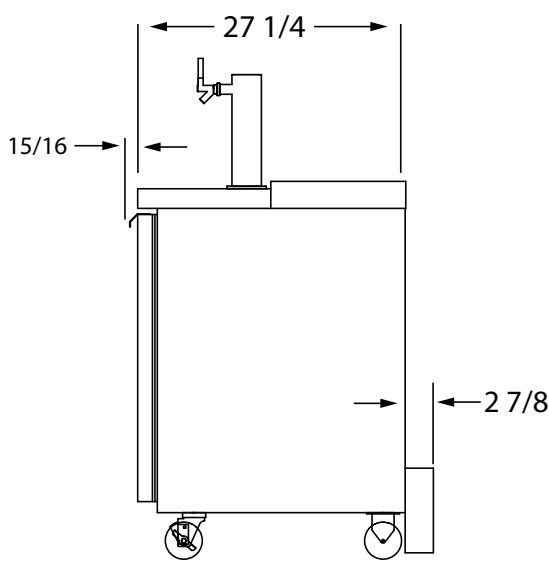
**KC24**

**DIMENSIONAL DATA**

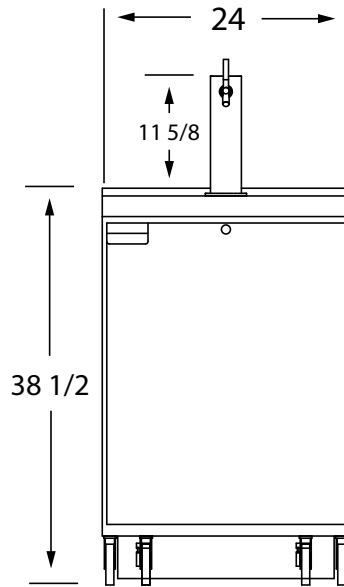
Net Capacity (cu. ft.)	8
Barrel Capacity (# of Barrel Type Kegs)	1
Straight Wall Capacity (# of Straight Wall Kegs)	1
Width, Overall (in.)	24
Depth, Overall, (in.)	31 <sup>1</sup> / <sub>8</sub>
Height, Overall (in.) (Not Incl. 12" Towers)	38 <sup>1</sup> / <sub>2</sub>
Number of Doors	1
Number of Beer Columns	1
Condensing Unit Size (H.P.)	<sup>1</sup> / <sub>5</sub>
Refrigerant	R-134a
Cabinet Electrical Specs	115/60/1
Total Amps	5.8
Power Supply Cord (10 ft.)	YES
Shipping Weight (lbs.)	175
Shipping Height (in.)	43 <sup>1</sup> / <sub>4</sub>
Shipping Length (in.)	35 <sup>3</sup> / <sub>4</sub>
Shipping Depth (in.)	37 <sup>1</sup> / <sub>4</sub>

Note: A minimum clearance of 3" on each side front and rear of cabinet is required for optimum performance

Note: All specifications subject to change without notice.



**KC24  
SIDE VIEW**



**KC24  
FRONT VIEW**