

PIZZA PREPARATION TABLE

Model: CPA68-D

68" Pizza Preparation Refrigerator with Drawers and Half Door

Heavy gauge #300 Series stainless steel top, stainless steel front and end panels, galvanized steel rear and grill and aluminum interior.
Certified under NSF-7 to maintain temperatures in 86°F ambient and designed to maintain NSF-7 temperatures in 100°F ambient.



Options and Accessories

(upcharge and lead times may apply)

| | |
|---|-------------------------------|
| Doors in lieu of drawers | Condensing unit left or right |
| Drawer section above the condensing unit* | Wire rod garnish rack |
| Overshelves (single or double) | Remote models |
| Automatic, electric condensate evaporator | Door/drawer locks |
| Exterior dial or digital thermometer | Adjustable legs |
| Stainless steel back and interior | Front breathing |

*Drawer section above condensing unit holds (1) 12 x 20 x 6 pan

Project Name:

Model Specified:

Location:

Item No:

Quantity:

AIA #:

SIS #:

Standard Model Features

REFRIGERATION SYSTEM

Performance-rated refrigeration system

Environmentally-safe R-134a refrigerant

Unique forced air design utilizes fans (approx. every 12") across the entire back of unit for even distribution of cold

Automatic, energy saving, non-electric condensate evaporator

Non-corrosive, plasticized fin evaporator coil

Easily serviceable, slide-out condensing unit

CABINET ARCHITECTURE

2" non-CFC polyurethane foam insulation

Spring loaded, self closing door (over condensing unit)

Magnetic snap-in door/drawer gaskets

Stainless steel roll-out drawers

19" deep, full length nylon cutting board

Insulated lid

5" casters

Refrigerated door section above the condensing unit

MODEL FEATURES

"Ergonomically-friendly" raised angle rail

Expansion valve for quick recovery

Built-in, off cycle defrost timer

Interior hanging thermometer

Field rehingeable door (over condensing unit)

NOTE: CPA-D models come standard with a door over the condensing unit. A drawer over the condensing unit is an option.

Continental
Refrigerator

Toll-Free: 800-523-7138
 Phone: 215-244-1400
 Fax: 215-244-9579

539 Dunksferry Road
 Bensalem, PA 19020
www.continentalrefrigerator.com

APPROVAL:

Model Specifications

DIMENSIONAL DATA

| | |
|---|-------------------|
| Net Capacity (cu. ft.) | 22 (623 cu l) |
| Width, Overall (in.) | 68 (1727 mm) |
| Depth, Overall (in.) (incl. handles & bumpers) | 36 7/8 (937 mm) |
| Height, Overall (in.) (incl. 5" casters) | 39 7/16 (1002 mm) |
| Depth, Cutting Board (in.) | 19 (483 mm) |
| Pan Capacity (pans supplied by others) | (9) 1/3 |
| No. of Drawers | 4 |
| No. of Half Doors | 1 |
| Interior Height (in.) (above condenser) | 12 1/2 (318 mm) |

REFRIGERANT DATA

| | |
|-----------------------------|------|
| Condensing Unit Size (H.P.) | 1/2 |
| Capacity (BTU/Hr)* | 4220 |

ELECTRICAL DATA

| | |
|-------------------------------------|---------------------|
| Voltage (int'l) | 115/60/1 (220/50/1) |
| Fans | 5 |
| Total Amps (int'l) | 13.7 (8.8) |
| 10 ft. Cord/Plug [attached] (int'l) | Yes (No) |

SHIPPING DATA

| | |
|-----------------------|------------------|
| Weight (lbs.) | 495 (225 kg) |
| Height - Crated (in.) | 43 3/4 (1111 mm) |
| Width - Crated (in.) | 70 (1778 mm) |
| Depth - Crated (in.) | 47 (1194 mm) |

DRAWER PAN CONFIGURATIONS

Two Tier: (2) 12 x 20 x 6 pans per drawer

Three Tier: (1) 12 x 20 x 4 pan per drawer (top)
and (2) 12 x 20 x 4 pans per drawer (center & bottom)

* Rating @ +25°F evaporator, 90°F ambient

Figures in parentheses reflect metric equivalents rounded to the nearest whole unit.



Equipped with one NEMA-5-15P Plug
(varies by country)

Continental
Refrigerator

Toll-Free: 800-523-7138
Phone: 215-244-1400
Fax: 215-244-9579

539 Dunkserry Road
Bensalem, PA 19020
www.continentalrefrigerator.com

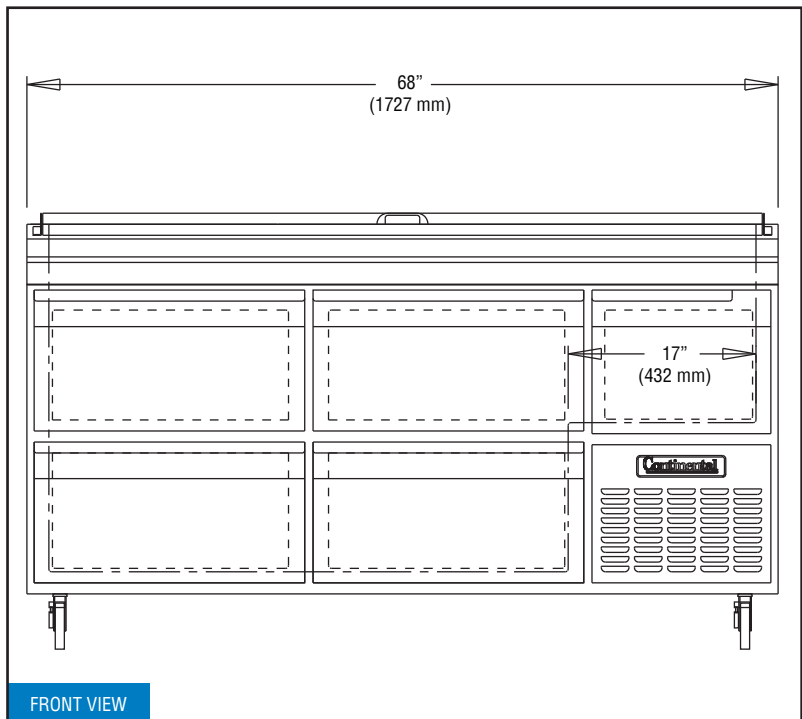
Due to our continued efforts in developing innovative products, specifications subject to change without notice.



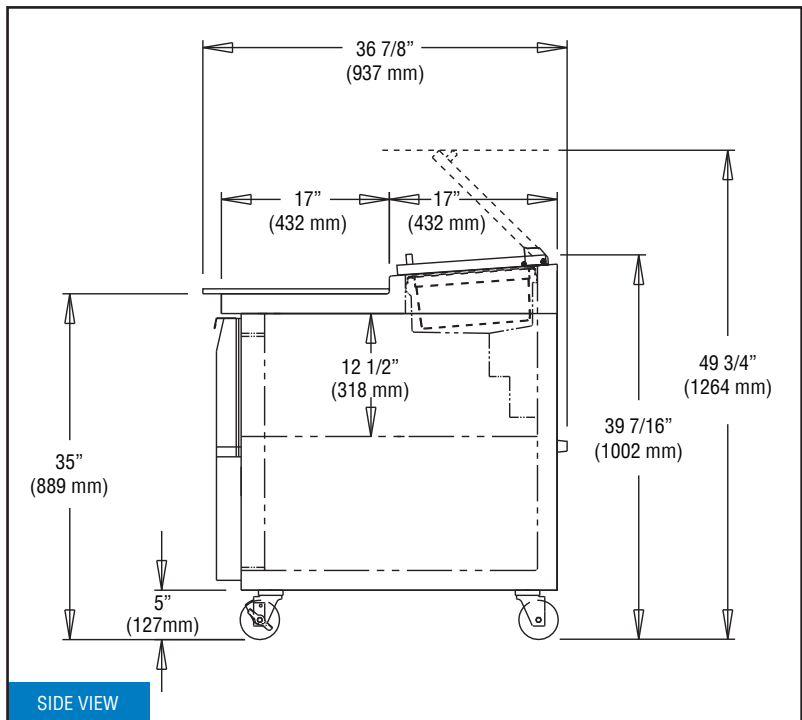
MADE IN THE U.S.A.

© Copyright 2015. Continental Refrigerator.
A Division of National Refrigeration & Air Conditioning Products, Inc.

Model Plan Views



FRONT VIEW



SIDE VIEW