

# REACH-IN REFRIGERATOR

## Model: 2RSE

### 2-Section Slim Line Reach-In Refrigerator

2RSE - Stainless steel front, aluminum end panels and interior  
 2RSE-SA - Stainless steel exterior, aluminum interior  
 2RSE-SS - Stainless steel exterior and interior  
**Designed to maintain NSF-7 temperatures in 100°F ambient.**



#### Options and Accessories

(upcharge and lead times may apply)

Stainless steel case back	Custom laminates
Additional epoxy-coated steel shelves	Half doors
Chrome or stainless steel shelves	Shallow depth
Heavy-duty pilaster strips	Special electrical req. (consult factory)
Rehinging of doors (consult factory)	<b>Correctional Facility Options</b>
Expansion valve system	• One way security screws
Wine display	• Locking hasp (lock not included)
Adjustable legs	• Stainless steel mesh cover
Digital thermometer	• Coverless hinges
Remote models	

Consult factory for other model configurations, options and accessories.

**Continental**  
Refrigerator

Toll-Free: 800-523-7138  
 Phone: 215-244-1400  
 Fax: 215-244-9579

539 Dunksferry Road  
 Bensalem, PA 19020  
[www.continentalrefrigerator.com](http://www.continentalrefrigerator.com)

Project Name:

Model Specified:

Location:

Item No:

Quantity:

AIA #:

SIS #:

#### Standard Model Features

##### REFRIGERATION SYSTEM

Environmentally-safe R-134a refrigerant

Self contained, performance-rated refrigeration system

Automatic, electric condensate evaporator

##### CABINET ARCHITECTURE

3" non-CFC polyurethane foam insulation

Smooth, polished chrome door handles

Cam action, lift off hinges

Self-closing doors

Magnetic snap-in door gaskets

Cylinder lock in door

Heavy-duty, epoxy-coated steel shelves

5" casters

##### MODEL FEATURES

LED interior lighting

External dial thermometer

Energy saving switch for door heaters

Will accommodate 12 x 20 pans

APPROVAL:

## Model Specifications

### DIMENSIONAL DATA

Net Capacity (cu. ft.)	30 (850 cu l)
Width, Overall (in.)	36 1/4 (921 mm)
Depth, Overall (in.) (incl. handles)	35 3/8 (899 mm)
Depth [less doors] (in.)	32 (813 mm)
Depth [doors open 90°] (in.)	48 1/2 (1232 mm)
Clear Door Width (in.)	12 7/8 (327 mm)
Clear Door Height (in.)	58 5/8 (1489 mm)
Height, Overall (in.) (incl. 5" casters)	82 1/4 (2096 mm)
No. of Doors	2
No. of Shelves	3
Shelf Area (sq. ft.)	24.4 (2.3 sq m)

### REFRIGERANT DATA

Condensing Unit Size (H.P.)	1/4
Capacity (BTU/Hr)*	2190

### ELECTRICAL DATA

Voltage (int'l)	115/60/1 (220/50/1)
Feed Wires (incl. ground)	3
Total Amps (int'l)	5.7 (3.6)
10 ft. Cord/Plug [attached] (int'l)	Yes (No)

### SHIPPING DATA

Height - Crated (in.)	85 1/2 (2172 mm)
Width - Crated (in.)	42 (1067 mm)
Depth - Crated (in.)	42 (1067 mm)
Volume - Crated (cu. ft.)	84 (2379 cu l)
Weight Std - Crated (lbs.)	430 (195 kg)
Weight SS - Crated (lbs.)	490 (222 kg)
Weight Std - Uncrated (lbs.)	330 (150 kg)
Weight SS - Uncrated (lbs.)	390 (177 kg)

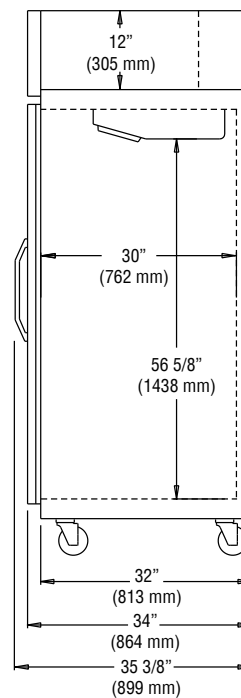
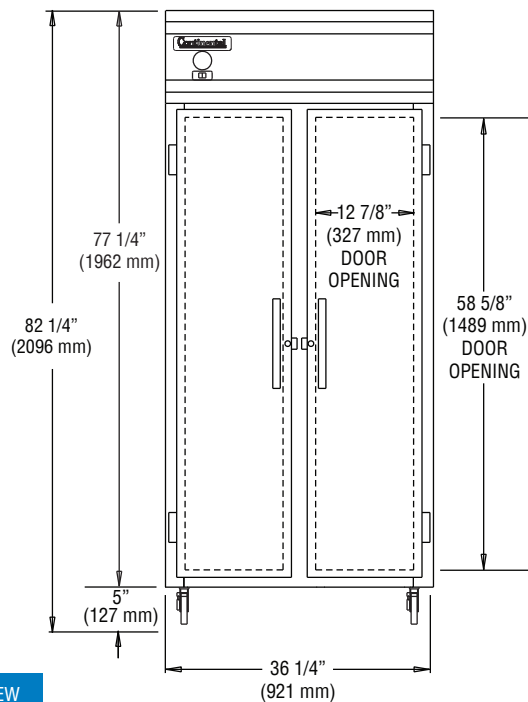
\* Rating @ +25°F evaporator, 90°F ambient

Figures in parentheses reflect metric equivalents rounded to the nearest whole unit.



Equipped with one NEMA-5-15P Plug  
(varies by country)

## Model Plan Views



**IMPORTANT NOTE:** If the cabinet is located directly against a wall and/or under a low ceiling, a minimum clearance of 12" is required.

# Continental

Refrigerator

Toll-Free: 800-523-7138  
Phone: 215-244-1400  
Fax: 215-244-9579

539 Dunkserry Road  
Bensalem, PA 19020  
[www.continentalrefrigerator.com](http://www.continentalrefrigerator.com)

Due to our continued efforts in developing innovative products, specifications subject to change without notice.



Intertek



MADE IN THE U.S.A.

© Copyright 2015, Continental Refrigerator.  
A Division of National Refrigeration & Air Conditioning Products, Inc.