

REACH-IN REFRIGERATOR

Model: 3R

3-Section Reach-In Refrigerator

3R - Stainless steel front, aluminum end panels and interior
3R-SA - Stainless steel exterior, aluminum interior
3R-SS - Stainless steel exterior and interior
Designed to maintain NSF-7 temperatures in 100°F ambient.



Options and Accessories

(upcharge and lead times may apply)

Stainless steel case back	Pan slide assemblies
Additional epoxy-coated steel shelves	Pass-Thru
Chrome or stainless steel shelves	Shallow depth
Heavy-duty pilaster strips	Hinged glass doors
Rehinging of doors (consult factory)	Increased refrigeration systems
Expansion valve system	Special electrical req. (consult factory)
Wine display	Correctional Facility Options
Adjustable legs	• One way security screws
Digital thermometer	• Locking hasp (lock not included)
Remote models	• Stainless steel mesh cover
Custom laminates	• Coverless hinges
Half doors	

Consult factory for other model configurations, options and accessories.

Continental
Refrigerator

Toll-Free: 800-523-7138
 Phone: 215-244-1400
 Fax: 215-244-9579

539 Dunksferry Road
 Bensalem, PA 19020
www.continentalrefrigerator.com

Project Name:

Model Specified:

Location:

Item No:

Quantity:

AIA #:

SIS #:

Standard Model Features

REFRIGERATION SYSTEM

Environmentally-safe R-134a refrigerant
 Self contained, performance-rated refrigeration system
 Automatic, electric condensate evaporator

CABINET ARCHITECTURE

3" non-CFC polyurethane foam insulation
 Smooth, polished chrome workflow door handles
 Cam action, lift off hinges
 Self-closing doors
 Magnetic snap-in door gaskets
 Cylinder lock in door
 Heavy-duty, epoxy-coated steel shelves
 5" casters

MODEL FEATURES

LED interior lighting
 External dial thermometer
 Energy saving switch for door heaters

APPROVAL:

Model Specifications

DIMENSIONAL DATA

Net Capacity (cu. ft.)	70 (1982 cu l)
Width, Overall (in.)	78 (1981 mm)
Depth, Overall (in.) (incl. handles)	35 3/8 (899 mm)
Depth [less doors] (in.)	32 (813 mm)
Depth [doors open 90°] (in.)	55 1/2 (1410 mm)
Clear Door Width (in.)	19 3/8 (492 mm)
Clear Door Height (in.)	58 5/8 (1489 mm)
Height, Overall (in.) (incl. 5" casters)	82 1/4 (2096 mm)
No. of Door(s)	3
No. of Shelves	9
Shelf Area (sq. ft.)	61.2 (5.7 sq m)
Tray Slide Capacity (per section)	24

REFRIGERANT DATA

Condensing Unit Size (H.P.)	1/2
Capacity (BTU/Hr)*	4010

ELECTRICAL DATA

Voltage (int'l)	115/60/1 (220/50/1)
Feed Wires (incl. ground)	3
Total Amps (int'l)	13.1 (8.6)
10 ft. Cord/Plug [attached] (int'l)	Yes (No)

SHIPPING DATA

Height - Crated (in.)	85 1/2 (2172 mm)
Width - Crated (in.)	90 (2286 mm)
Depth - Crated (in.)	42 (1067 mm)
Volume - Crated (cu. ft.)	187 (3766 cu l)
Weight Std - Crated (lbs.)	725 (329 kg)
Weight SS - Crated (lbs.)	840 (381 kg)
Weight Std - Uncrated (lbs.)	515 (234 kg)
Weight SS - Uncrated (lbs.)	630 (286 kg)

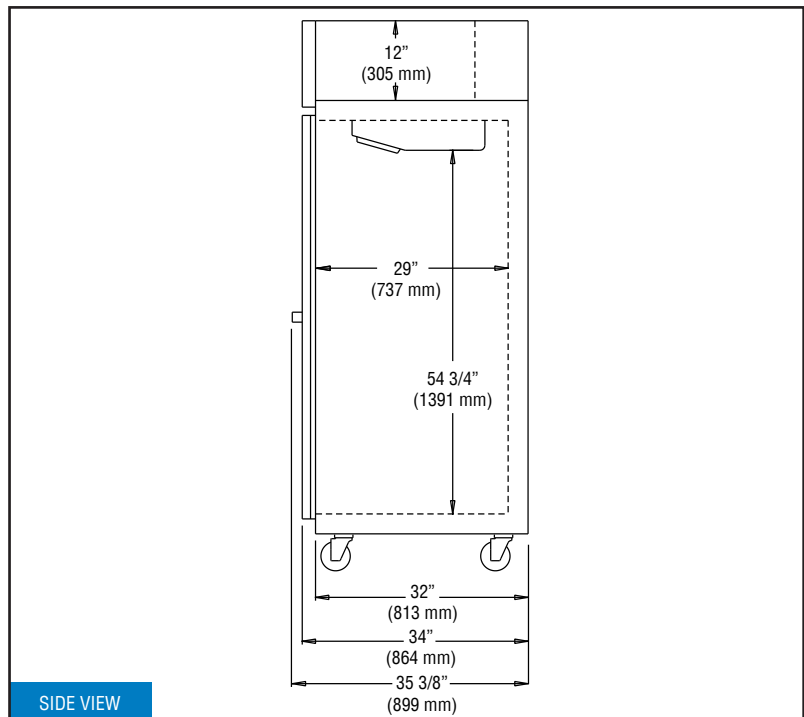
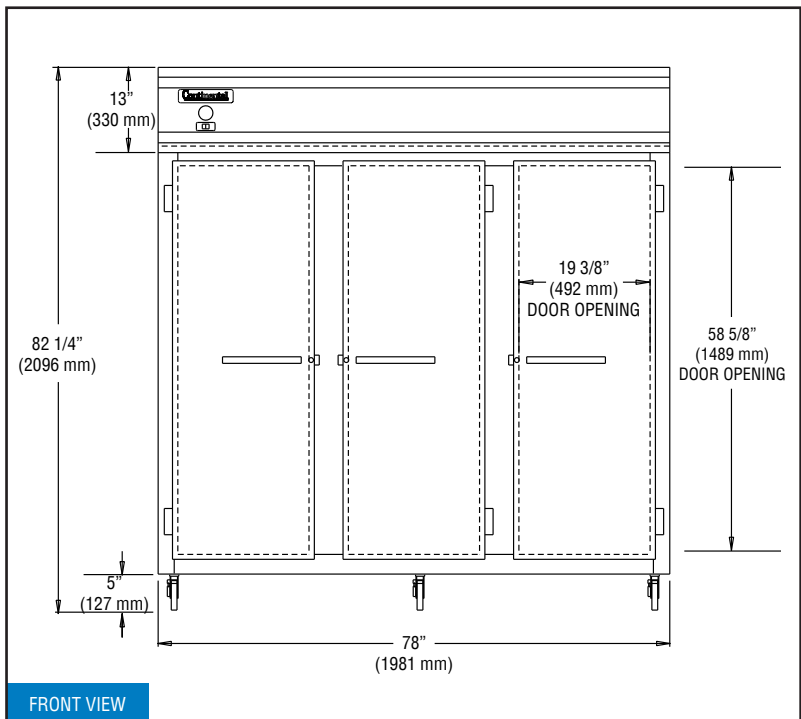
* Rating @ +25°F evaporator, 90°F ambient

Figures in parentheses reflect metric equivalents rounded to the nearest whole unit.



Equipped with one NEMA-5-15P Plug
(varies by country)

Model Plan Views



IMPORTANT NOTE: If the cabinet is located directly against a wall and/or under a low ceiling, a minimum clearance of 12" is required.

Continental
Refrigerator

Toll-Free: 800-523-7138
Phone: 215-244-1400
Fax: 215-244-9579

539 Dunkserry Road
Bensalem, PA 19020
www.continentalrefrigerator.com

Due to our continued efforts in developing innovative products, specifications subject to change without notice.



MADE IN THE U.S.A.

© Copyright 2015. Continental Refrigerator.
A Division of National Refrigeration & Air Conditioning Products, Inc.