

GLASS & PLATE CHILLER (0°F)

Model: CGC24-SS

24" Glass & Plate Chiller

Stainless steel exterior with all stainless steel countertop and slide lid, heavy-duty galvanized interior.

Designed to maintain NSF-7 temperatures in 100°F ambient.



Options and Accessories

(upcharge and lead times may apply)

| | |
|---|-----------------|
| Textured baked enamel finish exterior (black) | Lid lock |
| Stainless steel interior | Casters |
| Additional epoxy-coated, steel wire shelves | Adjustable legs |
| Automatic, electric condensate evaporator | |

Consult factory for other model configurations, options and accessories.

Project Name:

Model Specified:

Location:

Item No:

Quantity:

AIA #:

SIS #:

Standard Model Features

REFRIGERATION SYSTEM

Environmentally-safe R-134a refrigerant

Performance-rated **front breathing** refrigeration system

Full length, extra large coil for quick top row product chilling

Easily accessible and serviceable slide-out condensing unit

CABINET ARCHITECTURE

High density, non-CFC polyurethane foamed-in-place insulation

Heavy-duty sliding shelves

MODEL FEATURES

Automatic time defrosting period is timer initiated and temperature terminated with automatic, energy-saving, non-electric condensate evaporator

Cabinet will maintain 0°F for fast frosting of wet or dry glasses

Expansion valve system

Electronic controller w/ digital display

APPROVAL:

Continental
Refrigerator

Toll-Free: 800-523-7138
Phone: 215-244-1400
Fax: 215-244-9579

539 Dunksferry Road
Bensalem, PA 19020
www.continentalrefrigerator.com

Model Specifications

DIMENSIONAL DATA

| | |
|--------------------------------------|-----------------|
| Net Capacity (cu. ft.) | 4.8 (136 cu l) |
| 5" Mug Capacity (# mugs) | 95 |
| Stein Capacity (# 10 oz. steins) | 90 |
| Width, Overall (in.) | 24 (610 mm) |
| Depth, Overall (in.) (incl. bumpers) | 28 1/2 (724 mm) |
| Height, Overall (in.) | 34 3/4 (883 mm) |
| No. of Slide Lids | 1 |
| No. of Shelves | 2 |

REFRIGERANT DATA

| | |
|-----------------------------|-----|
| Condensing Unit Size (H.P.) | 1/5 |
| Capacity (BTU/Hr)* | 680 |

ELECTRICAL DATA

| | |
|-------------------------------------|---------------------|
| Voltage (int'l) | 115/60/1 (220/50/1) |
| Feed Wires (incl. ground) | 3 |
| Total Amps (int'l) | 4.8 (3.0) |
| 10 ft. Cord/Plug [attached] (int'l) | Yes (No) |

SHIPPING DATA

| | |
|-----------------------|------------------|
| Weight - (lbs.) | 235 (107 kg) |
| Height - Crated (in.) | 40 1/4 (1022 mm) |
| Width - Crated (in.) | 33 (838 mm) |
| Depth - Crated (in.) | 30 1/4 (768 mm) |

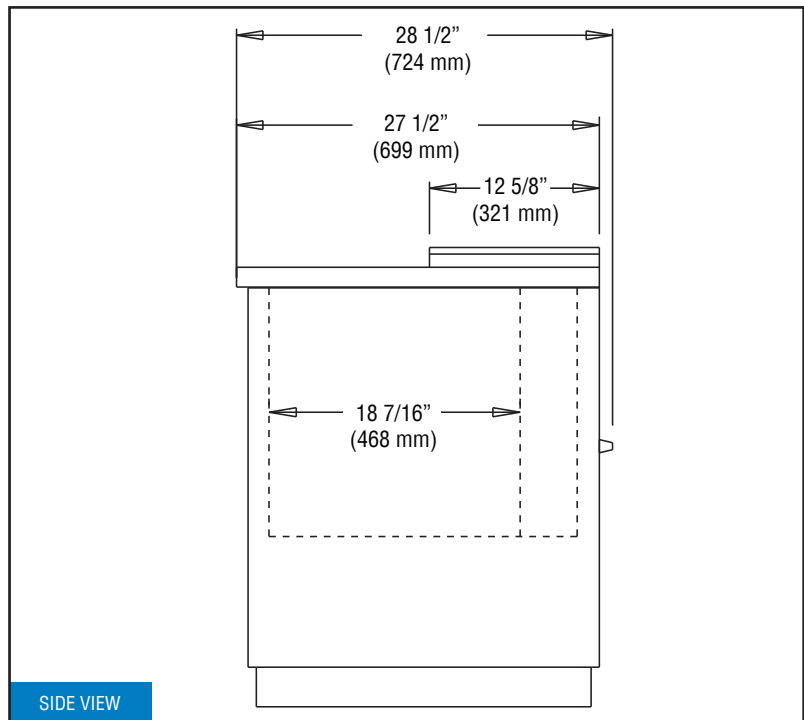
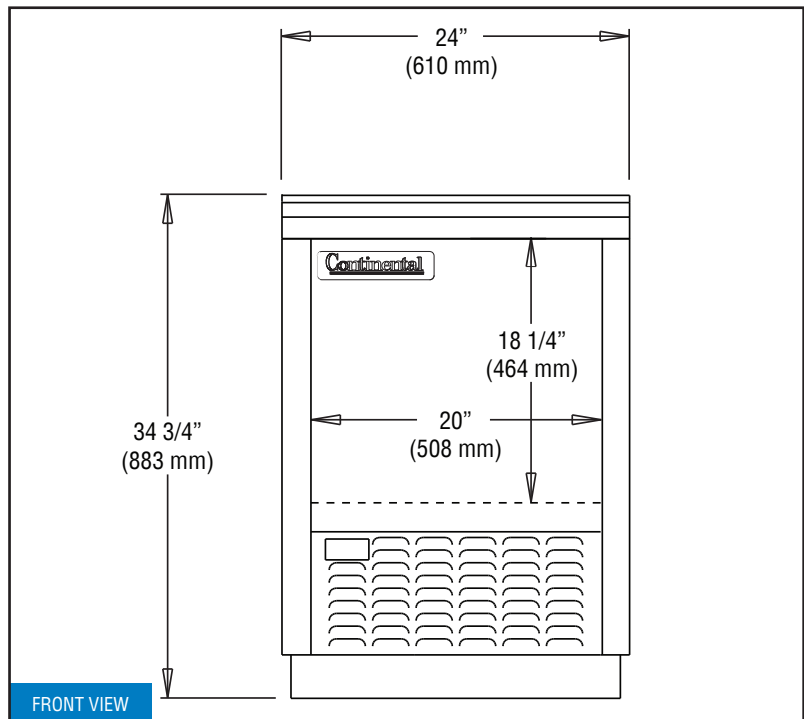
* Rating @ -15°F evaporator, 90°F ambient

Figures in parentheses reflect metric equivalents rounded to the nearest whole unit.



Equipped with one NEMA-5-15P Plug
(varies by country)

Model Plan Views



IMPORTANT NOTE: A minimum clearance of 3" is required on each side, front and rear of cabinet for optimum performance.

Continental
Refrigerator

Toll-Free: 800-523-7138
Phone: 215-244-1400
Fax: 215-244-9579

539 Dunkserry Road
Bensalem, PA 19020
www.continentalrefrigerator.com

Due to our continued efforts in developing innovative products, specifications subject to change without notice.



Intertek



MADE IN THE U.S.A.

© Copyright 2016. Continental Refrigerator.
A Division of National Refrigeration & Air Conditioning Products, Inc.