



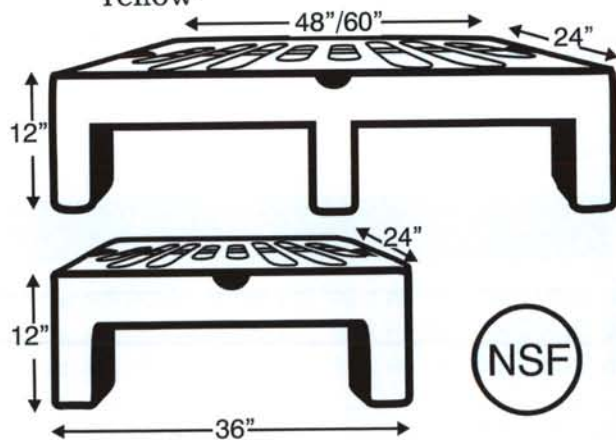
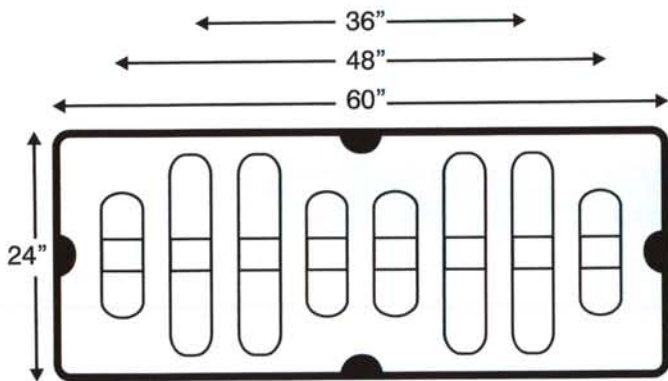
SPECTRUM

Indestructible Plastic

Dunnage and Display Racks

- Super Sanitary
- NSF and USDA approved
- Guaranteed 10 years
- Use as display base or storage rack
- Made of Polyethylene; no rust, no crack, no fade!
- One piece seamless design for durability
- Lightweight—easy to handle
- Expandable; each unit fits tightly with adjacent unit
- Front to back slots allow air circulation and easy loading/unloading
- MANY COLORS TO CHOOSE FROM for merchandising and departmental coding: Gray, Black, Blue, Green, Red, Yellow

No. DUN-2436 36" W x 24" D x 12" H 1500 lbs. wt. cap.
 No. DUN-2448 48" W x 24" D x 12" H 2000 lbs. wt. cap.
 No. DUN-2460 60" W x 24" D x 12" H 3000 lbs. wt. cap.



MASONWAYS™
INDESTRUCTIBLE PLASTICS

1-800-837-2881

1-800-693-7745 FAX

website: www.masonways.com