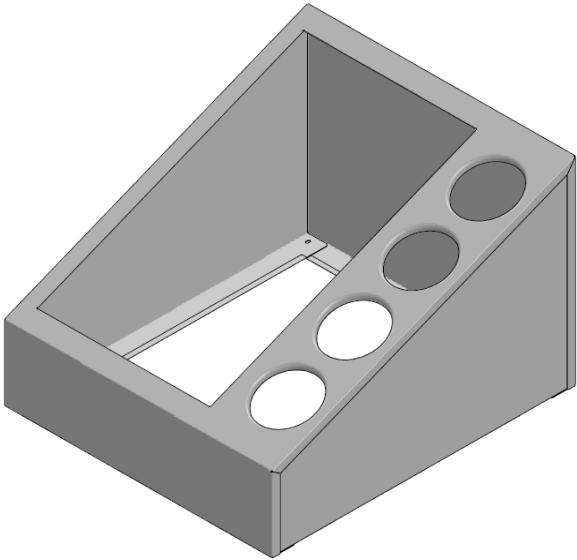




Item#: _____
 Quantity: _____
 Model #: VTC-1HP4S
 Project #: _____

Countertop Combination Dispenser



Model #: VTC-1HP4S

Standard Features:

- Compact design takes up little counter-top space
- Left side includes a 12" x 20" cutout which holds (1) full-size hotel pan and is adaptable to multiple configurations of fractional pans utilizing adapter bars
- Right side includes (4) 4" round cutouts for use with silverware cylinders or solid 30 oz. containers by Steril-Sil
- Light weight and portable
- Includes non-marketing feet
- Pans, adapter bars, silverware cylinders and 30 oz. containers not included
- All welded 304 stainless steel construction
- Made in the U.S.A.

Product Specification:

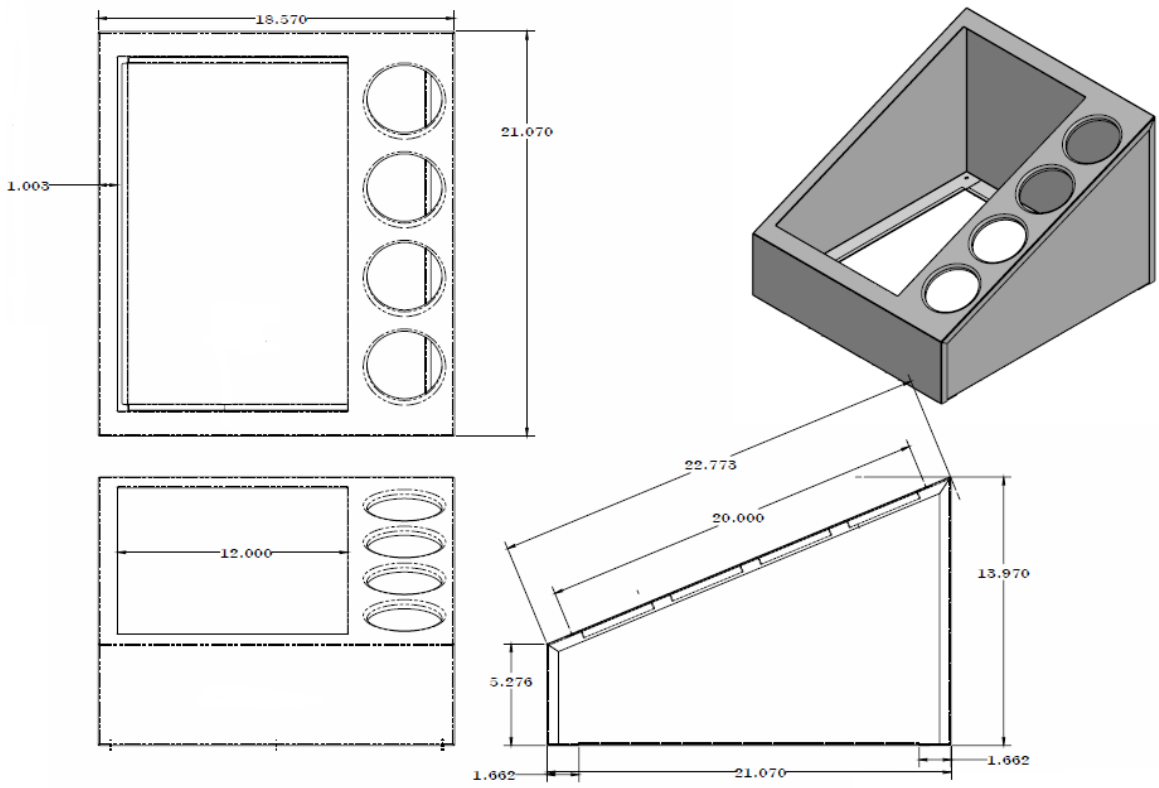
Steril-Sil model #VTC-1HP4S Countertop Combination Dispenser. Durable and portable dispenser holds one full-size standard hotel pan or any combination of fractional pans with the use of adapter bars. Includes (4) 4" round cutouts for use with silverware cylinders or Steril-Sil 30 oz. solid containers. Unit is welded 18 gauge, 304 series stainless steel construction. Includes non-marking feet. Made in the U.S.A.

Notes:

Steril-Sil Company, LLC
 Phone: 800-784-5537
 Fax: 617-739-5063
 Email: quotes@sterilsil.com
 www.sterilsil.com



Countertop Combination Dispenser (cont'd)

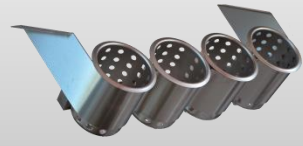


VTC-1HP4S

Designed for maximum flexibility with the use of standard hotel pans

Model #	Description	12"x20" Cutout	4" Round Cutouts	Length	Depth	Height
VTC-1HP4S	Countertop combination dispenser, holds one full-size hotel pan (left) and four silverware cylinders or 30 oz. containers (right.) Vertical configuration.	Holds (1) full-size pan	Holds (4) silverware cylinders or 30 oz. containers	18.75"	21.25"	14.00"

Additional Available Dispensers:



UB-4SS
Under-Bar Dispenser



CC-LTC-2SW
2-Hole Insulated Condiment Dispenser



CC-LTC-4BR
4-hole Insulated Bottle Rail (bottles by others)



E1-BS6OE-SS
Drop-In Silverware Basket