



BEVERAGE-AIR

PO Box 5932, Spartanburg, SC 29304
1-888-845-9800 Fax# 1-864-582-5083
<http://www.Beverage-Air.com>

Commercial Refrigeration Equipment General Specification

WTR AND WTF—SERIES WORKTOP UNITS

Select from 4 standard sizes in widths of 46" (1 door), 67" (2 door), 93" (3 door), and 119" (4 door). Working height* is 35 1/2" with units installed on 6 inch casters (2 with brakes).

CABINET CONSTRUCTION

Heavy duty construction includes stainless steel on front, sides, door(s) and grille. Worktop is stainless steel with built-in back-splash. Cabinet back and bottom are galvanized steel. Interior liner is made of anodized aluminum for longer lasting corrosion protection. Interior thermometer is standard.

Cabinets are insulated with foamed-in-place polyurethane insulation of 2" minimum thickness. Work tops are 2 1/2". Doors are mounted to cabinet on self-closing, cartridge style hinges with 120° stay open feature. Door openings include low wattage, anti-condensate heaters. A plug-in type vinyl magnetic gasket is attached to each door for positive seal. Convenient, contoured, pull handle is made of black anodized aluminum. Interior arrangement includes 2 steel wire epoxy coated shelves behind each door, adjustable in 1/2 inch increments.

REFRIGERATION

Balanced refrigeration systems used in all 4 sizes of self-contained refrigerated worktops provide high humidity storage of product at 35°F to 38°F. One size worktop freezer WTF67 holds product at 0°F and below. Unit is equipped with time activated, temperature terminated, electric defrosting. Refrigerants include CFC free R134a in refrigerators and 404A in freezers to comply with all environmental concerns.

ELECTRICAL

Units wired at factory and ready for connection to a 115/60/1 phase, 15 amp dedicated outlet. 8' long cord and plug set included.

SPECIAL FEATURES

- Cartridge style door hinges provides positive seal & eliminates door sagging issues (excludes glass door and some special units).
- 6" casters, two with brakes standard.
- Optional 6" legs or 3" casters available

Item No. _____

Quantity _____

WORK TOP REFRIGERATORS AND FREEZER WORKTOP FREEZER 32" BASE MODEL SERIES

MODELS:
WTR46A
WTR67A
WTR93A
WTR119A
WTF67A



WTR46



WTR67/WTF67

ELECTRICAL CONNECTION

Units pre-wired at factory and include 8' long cord and plug set.



*Note: Overall heights of casters may vary with different types of casters depending upon caster manufacturer designations.

Available From:



Model Specified _____	Store# _____
Location _____	Quantity _____



Work Top Refrigerators and Freezer

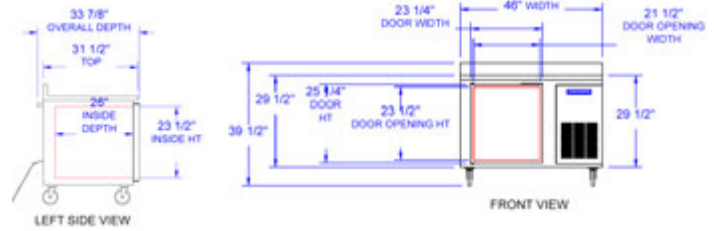
Models: WTR46A, WTR67A, WTR93A, WTR119A, WTF67A

MODEL	WTR46A	WTR67A	WTR93A	WTR119A	WTF67A
EXTERNAL DIMENSIONAL DATA					
Length Overall (inches)	46"	67"	93"	119"	67"
Length Overall (mm)	1168	1702	2362	3023	1702
Depth Overall (inches) - Less handle	32"	35 7/8"	35 7/8"	35 7/8"	35 7/8"
Depth Overall (mm) - Less handle	813	911	911	911	911
Height Overall—on 6" casters (inches)*	39 1/2"	39 5/8"	37 1/4"	37 3/8"	39 1/2"
Height Overall—on 6" casters (mm)*	1003	781	946	949	1003
Depth with Door Open 90 °	55 3/8"	55 7/8"	57"	55 7/8"	55 7/8"
Clear Door Opening (inches)	21 1/2" x 23"	21 1/2" x 23 1/2"	21 1/2" x 23 1/2"	21 1/2" x 23 1/2"	23 1/4" x 25 1/4"
Number of doors	1	2	3	4	2
INTERNAL DIMENSIONAL DATA					
NET Capacity (cubic ft.)	16.7	27	39.8	52.5	27
NET Capacity (Liters)	473	765	1127	1487	765
Internal Length Overall (inches)	22"	48"	74"	100 1/8"	48"
Internal Length Overall (mm)	559	1219	1880	2543	1219
Internal Depth Overall (inches)	26"	28"	28"	28"	28"
Internal Depth Overall (mm)	660	711	711	711	711
Internal Height Overall (inches)	23"	25"	24"	25 1/4"	25"
Internal Height Overall (mm)	597	635	610	641	635
Number of shelves	2	4	6	8	4
ELECTRICAL DATA					
Full Load Amperes 115/60/1	6.3	6.3	8.6	8.6	8.6
ENERGY CONSUMPTION (KWH)	2.81	2.56	3.49	3.91	15.3
REFRIGERATION DATA					
Horsepower	1/4	1/4	1/3	1/3	3/4
WEIGHT DATA					
Gross Weight (Crated lbs)	296	410	486	604	425
Gross Weight (Crated kg)	134	186	221	274	193

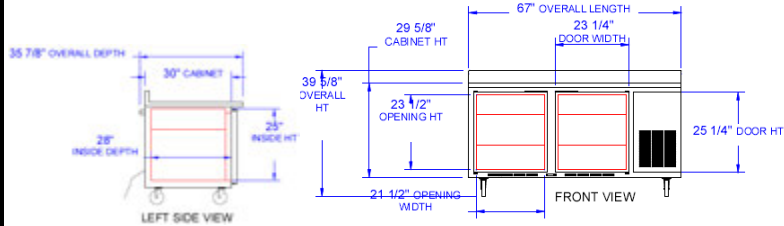
*Note: Overall heights of casters may vary with different types of casters depending upon caster manufacturer designations.



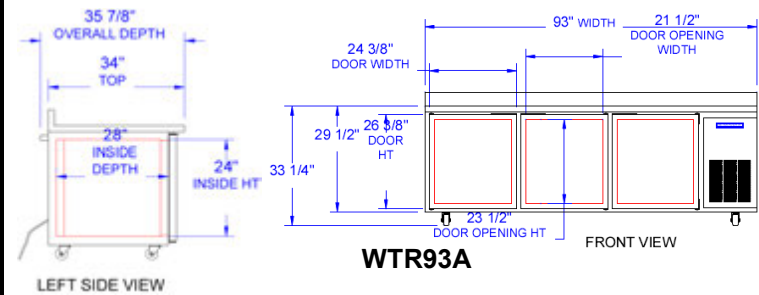
PLAN VIEWS



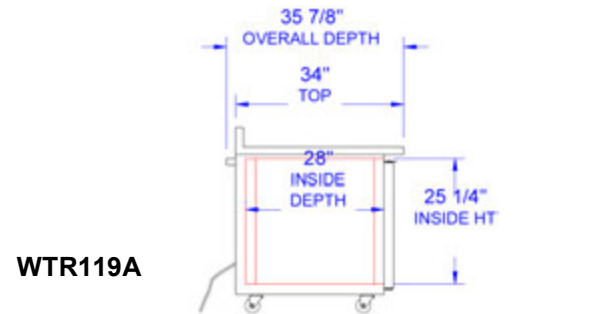
WTR46A



WTR67A

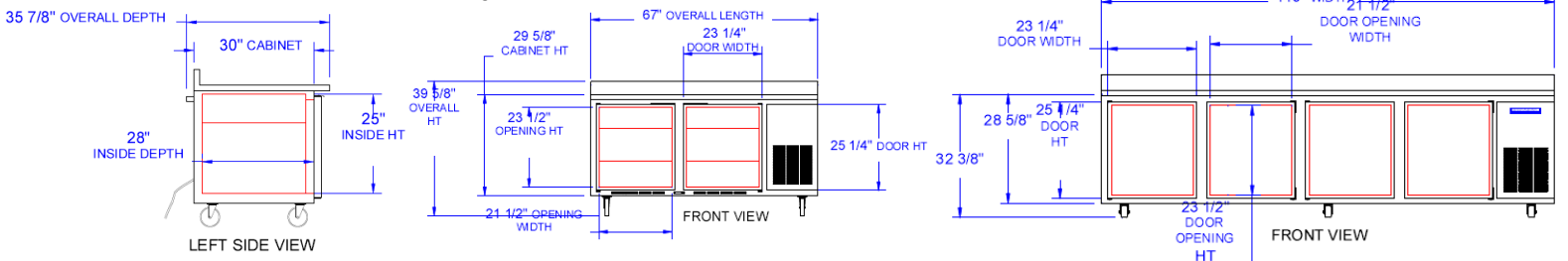


WTR93A



WTR119A

WTF67A



BEVERAGE-AIR® CORPORATION

700 Buffington Road • PO Box 5932 • Spartanburg, SC 29304 USA • (864) 582-8111 • Fax (864) 582-5083 • (888) 845-9800 • www.beverage-air.com

Specifications are subject to change without prior notice. 07/09