



# BEVERAGE-AIR

PO Box 5932, Spartanburg, SC 29304  
1-888-845-9800 Fax# 1-864-582-5083  
<http://www.Beverage-Air.com>

## Commercial Refrigeration Equipment General Specification

### WORKTOP COOK STAND REFRIGERATOR

Beverage-Air's cook stand refrigerators are designed to accommodate countertop cooking equipment and feature a full marine drip-guard to prevent spills from dripping over the edge. WTRCS52 Series models are available in 3 top configurations (52" Width, 60" Width, 72" width) to provide the flexibility in your workspace. Refrigerated drawers provide ample food product storage. Working height of 26 3/4" on heavy-duty six-inch (6") casters.

### CABINET CONSTRUCTION

Heavy-duty construction with stainless steel on top, front, sides, rear and drip guard top. Interior of cabinet is constructed of corrosion-resistant stainless steel. Drawers are equipped with heavy-duty workflow handle. Cabinet integrity is reinforced by use of structural columns. Cabinets are insulated with foamed-in-place polyurethane insulation of 2" thickness for added strength and maximum energy efficiency. Cabinet back and bottom are constructed of galvanized steel. Interior cabinet is made of corrosion resistant stainless steel.

Exterior solar digital thermometer with battery backup is standard.

### DRAWER CONSTRUCTION

Drawer frames are constructed of heavy duty stainless steel and are supported on stainless steel telescoping drawer slides with three stainless steel roller bearing wheels for maximum support of stored food product. Upper pull-out drawers accommodate two 6" deep 12" x 20" pans of combinations of 1/6 size pans or larger. Lower pull-out drawers accommodate two 4" deep 12" x 20" pans or combinations of 1/6 size pans or larger. Heavy duty pan divider supports are supplied. Foodservice pans are not included. A snap in type vinyl magnetic gasket is attached to each drawer for positive seal.

### REFRIGERATION

Self-contained refrigeration system utilizes R134a refrigerant metered by a capillary tube system. Automatic (hot gas) condensate evaporation is provided. Interior forced air system, with high humidity evaporator coils, provide the ideal environment for food preservation. Removable front thermometer panel and grille allows for easy access to complete lift-out refrigeration system.

Item No. \_\_\_\_\_

Quantity \_\_\_\_\_

## WORKTOP COOK STAND REFRIGERATORS 2 DRAWER EQUIPMENT BASE WTRCS52 SERIES

MODELS:  
WTRCS52-1  
WTRCS52-1-60  
WTRCS52-1-72



WTRCS52-1



WTRCS52-1-72

### ELECTRICAL CONNECTION

Units pre-wired at factory and include 8' long cord and plug



115/60/1  
NEMA-5-15P

Available From:



\*Note: Not all markings may apply to all model variations.

<b>Model Specified</b> _____	<b>Store#</b> _____
<b>Location</b> _____	<b>Quantity</b> _____

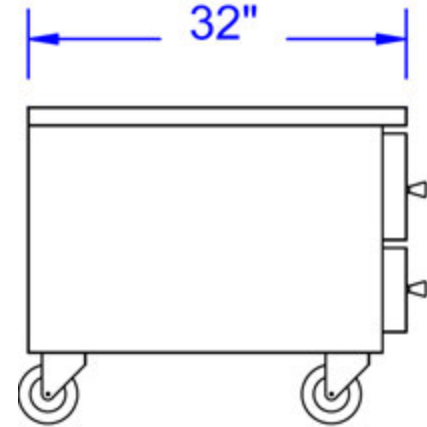


## PLAN VIEWS

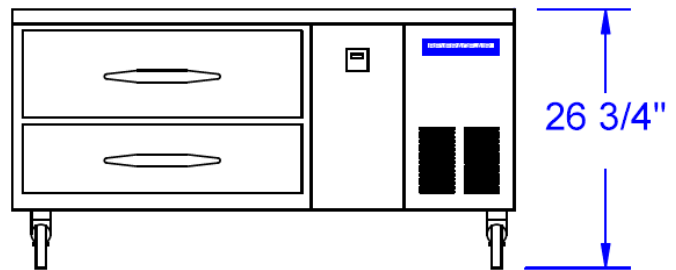
### Work top Refrigerator, Cook Stand Model Series

Models: WTRCS52-1, WTRCS52-1-60, WTRCS52-1-72

MODEL	WTRCS52-1	WTRCS52-1-60	WTRCS52-1-72
<b>EXTERNAL DIMENSIONAL DATA</b>			
Length Overall (inches)	52"	60"	72"
Length Overall (mm)	1321	1524	1829
Depth Overall (inches)	32"	32"	32"
Depth Overall (mm)	813	813	813
Height Overall—(inches)	26 3/4"	26 3/4"	26 3/4"
Height Overall—(mm)	680	680	680
Number of drawers	2	2	2
Depth with Drawer Open 90 °	57 1/4"	57 1/4"	57 1/4"
Upper Drawer Pans	2—12" x 20" x 6"	2—12" x 20" x 6"	2—12" x 20" x 6"
Lower Drawer Pans	2—12" x 20" x 4"	2—12" x 20" x 4"	2—12" x 20" x 4"
Top Load Rating (lbs)	800	800	800
Top Load Rating (kg)	363	363	363
<b>INTERNAL DIMENSIONAL DATA</b>			
NET Capacity (cubic ft.)	9.7	9.7	9.7
NET Capacity (Liters)	275	275	275
<b>ELECTRICAL DATA</b>			
Full Load Amperes 115/60/1	4.5	4.5	4.5
<b>ENERGY CONSUMPTION (KWH)</b>			
	3.29	3.29	3.29
<b>REFRIGERATION DATA</b>			
Horsepower	1/5	1/5	1/5
<b>WEIGHT DATA</b>			
Gross Weight (Crated lbs)	416	416	416
Gross Weight (Crated kg)	189	189	189



END VIEW



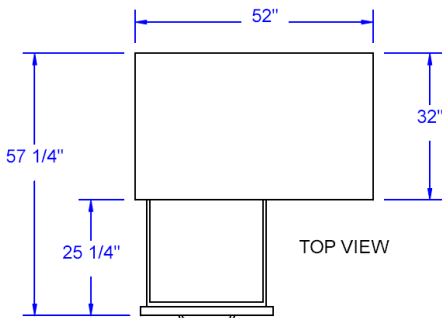
FRONT VIEW



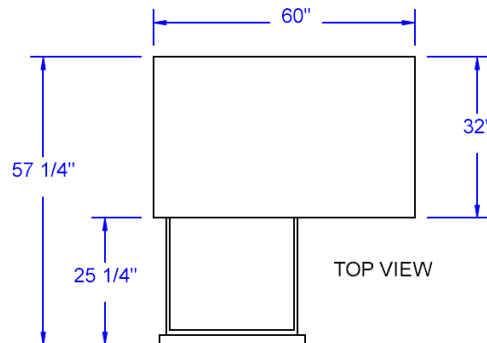
**Note:** Not all markings may apply to all model variations.

\*N/A:: Not available at time of printing.

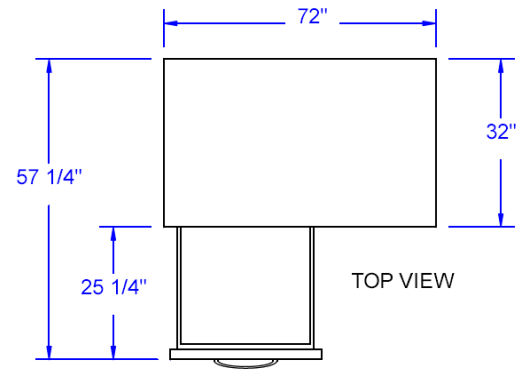
**WTRCS52-1  
TOP VIEW**



**WTRCS52-1-60  
TOP VIEW**



**WTRCS52-1-72  
TOP VIEW**



## BEVERAGE-AIR® CORPORATION

700 Buffington Road • PO Box 5932 • Spartanburg, SC 29304 USA • (864) 582-8111 • Fax (864) 582-5083 • (888) 845-9800 • www.beverage-air.com

Specifications are subject to change without prior notice. 07/09