



# BEVERAGE-AIR

Project: _____	AIA#
Item: _____	
Location: _____	SIS#
Approved: _____	

## DPD FOOD PREPARATION SERIES

### DPD46 Deli/Pizza Prep Table with Two Drawers

**MODELS:**  
**DPD46-2**



**DPD46-2**

**3 Year Parts/Labor Warranty**  
**Additional 2 Year Compressor Warranty**

#### CABINET CONSTRUCTION

- Stainless steel front, sides, top, drawers and grille (*galvanized back & bottom*)
- Interior liner is made of corrosion resistant aluminum
- Aluminum top interior liner prevents spill from falling into cabinet
- Stainless steel top
- Removable hoods and insulated lid assemblies are made of matching stainless steel
- Magnetic gaskets provide positive seal on drawers
- 3" Casters, 2 with brakes standard
- 19" Wide reversible cutting board is removable for easy cleaning
- Units will accept pans up to 6" deep (pans are not included)
- Drawer frames are heavy duty stainless steel
- Telescoping slides, with locking mechanism to prevent drawers from being pulled off of cabinet
- Heavy duty locking pan divider supports are standard for drawers
- Maintains product temperatures between 36° to 38°F

#### OPTIONS & ACCESSORIES

- Stainless steel back and grille
- Stainless steel interior
- Composite cutting board
- Bun tray rack
- 6" Casters
- 6" Legs
- Remote option

#### REFRIGERATION SYSTEM

- Refrigeration system uses R134a refrigerant to comply with all environmental concerns
- Automatic, non-electric defrost
- Epoxy coated evaporator coil

DPD46 Food Preparation Series: Deli/Pizza Prep Model



3779 Champion Blvd., Winston-Salem, NC 27105  
1-888-845-9800 Fax: 1-336-245-6453  
Beverage-Air.com sales@bevair.com



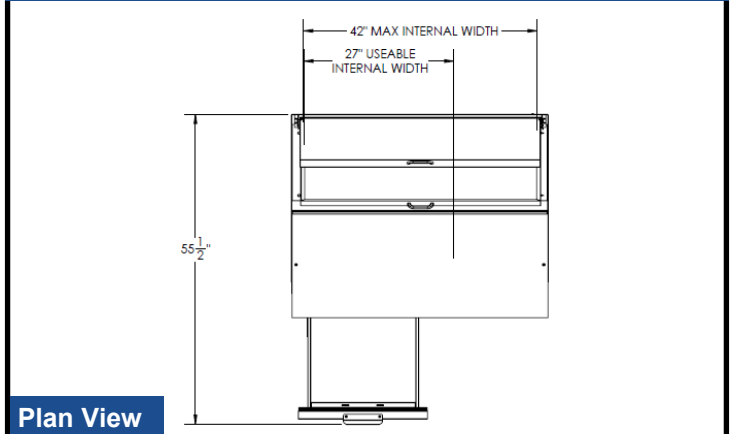
# BEVERAGE-AIR

MODEL	DPD46-2
<b>EXTERNAL DIMENSIONAL DATA</b>	
Width Overall	46"
Depth Overall with Cutting Board	36 1/2"
Height Overall with 3" Casters with Lid Open	55 1/2"
Number of Drawers	2
Depth with Drawer Open 90 °	55 1/2"
Drawer Opening (in)	21 5/8" x 10 1/8" 21 5/8" x 10 3/8"
Depth, Cutting Board	19"
<b>INTERNAL DIMENSIONAL DATA</b>	
NET Capacity (cubic ft.)	16.7
Internal Width Useable (in)	27"
Internal Depth Overall (in)	26"
Internal Height Overall (in)	24 3/4"
<b>ELECTRICAL DATA</b>	
Full Load Amperes 115/60/1	6.3
<b>REFRIGERATION DATA</b>	
Horsepower	1/4
<b>WEIGHT DATA</b>	
Gross Weight (Crated lbs)	311 lbs
Height - Crated	47 1/2"
Width - Crated	49"
Depth - Crated	37"

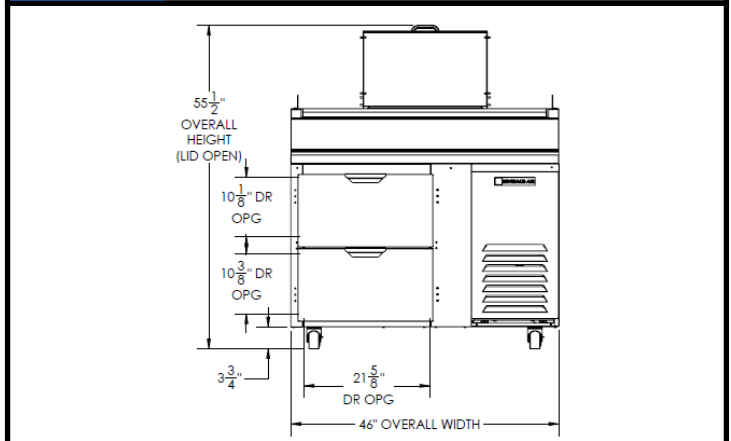
## Deli/Pizza Preparation Table

Models: DPD46-2

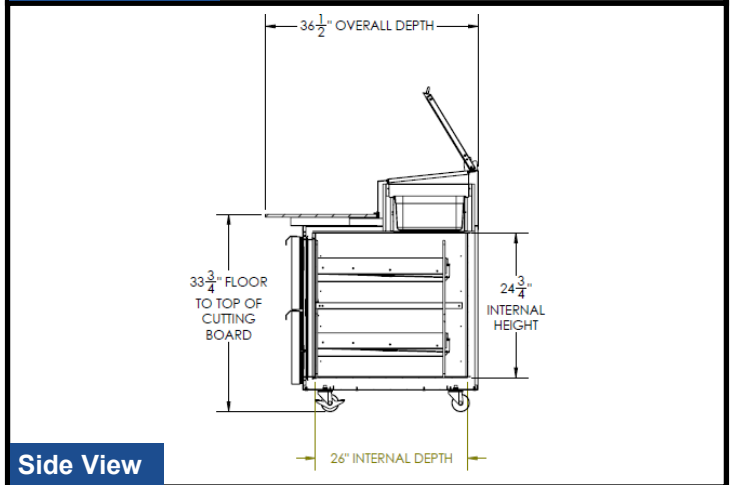
### Model Views



Plan View



Elevation View



Side View

### ELECTRICAL CONNECTION



115/60/1  
NEMA-5-15P

Units pre-wired at factory and include 8' long cord and plug set.



an Ali Group Company



The Spirit of Excellence

3779 Champion Blvd., Winston-Salem, NC 27105  
1-888-845-9800 Fax: 1-336-245-6453  
Beverage-Air.com sales@bevair.com