



BEVERAGE-AIR

3779 Champion Blvd., Winston-Salem, NC 27105
1-888-845-9800 Fax# 1-336-245-6453
<http://www.Beverage-Air.com>

Commercial Refrigeration Equipment General Specification

BB24 SERIES—BACK BAR REFRIGERATOR

Depth is 29 1/2" from face of door to back of cabinet. Handle projects 1/2." Solid door models come standard with locks. Glass door models available (BB24G-1-B, BB24G-1-S).

CABINET CONSTRUCTION

Standard, cabinet exterior construction includes attractive, wear resistant vinyl on steel in black exterior finish. Door is self-closing and includes magnetic gaskets for positive seal.

Standard interior construction utilizes galvanized steel walls and ceiling. Reinforced floor and door sills are made from heavy-duty stainless steel to provide long lasting service. Interior, incandescent, lighting is standard with manual on/off switch. Glass door models feature fluorescent lighting.

Four-inch (4") heavy-duty casters are standard.

Note: Unit standard on casters. It is not possible to order without casters.

Foamed-in-place CFC and HCFC-free polyurethane insulation enhances the structural strength of the cabinet and helps increase energy efficiency.

REFRIGERATION

Refrigeration system uses R134a refrigerant, which is CFC and HCFC-free for compliance with environmental safety concerns.

ELECTRICAL

Units wired at factory and ready for connection to a 115/60/1 phase, 15 amp dedicated outlet. 8' long cord and plug set included.

SPECIAL FEATURES

- Keg storage is maximized in lieu of shelf storage when required.

[Click here to buy now!](#)



1-866-285-1252

Item No. _____
Quantity _____

BEER EQUIPMENT BACK BAR REFRIGERATOR BB24 SERIES

MODELS:
BB24-1-B
BB24-1-S
BB24G-1-B
BB24G-1-S

NOTE: Unit standard on casters. It is not possible to order without casters.



BB24 (black exterior with solid door shown)

Finishes available: Black (-B) or S/S (-S)
Door options: Solid or Glass Doors (G)

Available From:



*Note: Not all markings may apply to all model variations.

Model Specified _____	Store# _____
Location _____	Quantity _____

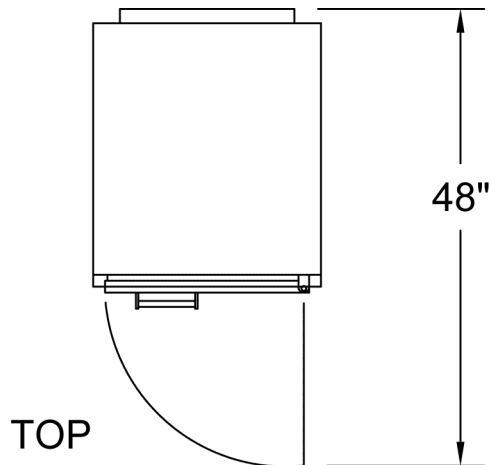
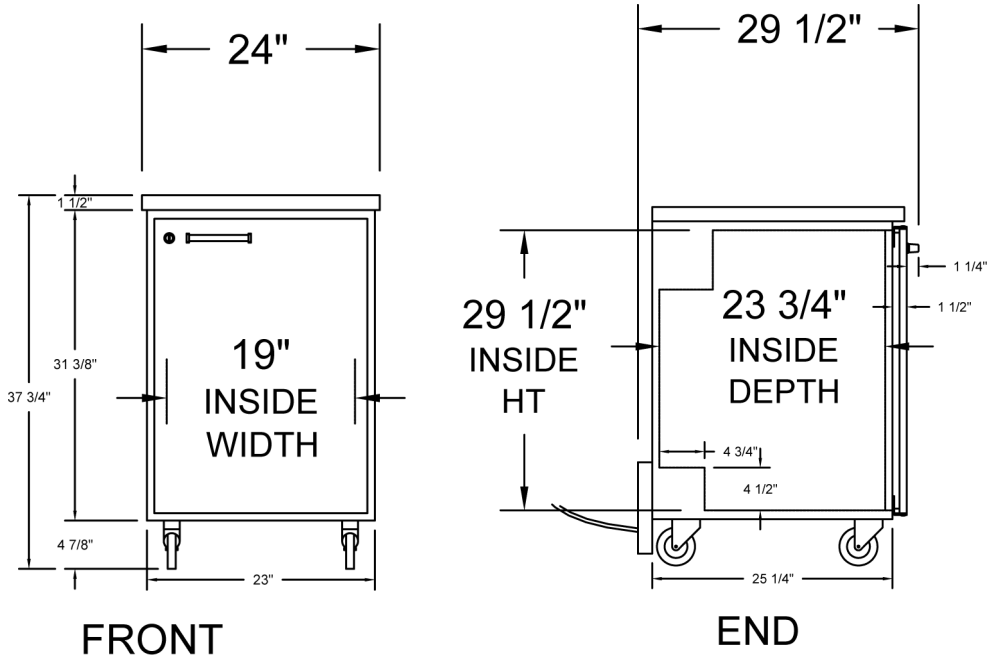


Back Bar Refrigerators

Model: BB24

PLAN VIEWS

MODEL	BB24
EXTERNAL DIMENSIONAL DATA	
Length Overall (inches)	24"
Length Overall (mm)	610
Depth Overall (inches)	29 1/2"
Depth Overall (mm)	749
Height Overall— (inches)	37 3/4"
Height Overall—(mm)	959
Clear Door Width (inches)	14 5/8" x 8 1/2"
Depth With Door Open 90°	48"
Number of doors	1
INTERNAL DIMENSIONAL DATA	
NET Capacity (cubic ft.)	7.8
NET Capacity (Liters)	221
Internal Length Overall (inches)	19"
Internal Length Overall (mm)	483
Internal Depth Overall (inches)	23 3/4"
Internal Depth Overall (mm)	603
Internal Height Overall (inches)	29 1/2"
Internal Height Overall (mm)	749
Number of Kegs (straight wall)	1
ELECTRICAL DATA	
Full Load Amperes 115/60/1	4
REFRIGERATION DATA	
Horsepower	1/5
WEIGHT DATA	
Gross Weight (Crated lbs)	180
Gross Weight (Crated kg)	82



*Note: Not all markings may apply to all model variations.

ELECTRICAL CONNECTION

Units pre-wired at factory and include 8' long cord and plug set.



BEVERAGE-AIR® CORPORATION

3779 Champion Blvd. • Winston-Salem, NC 27105 USA • (336) 245-6400 • Fax (336) 245-6453 • (888) 845-9800 • www.beverage-air.com

Specifications are subject to change without prior notice. 08/12