



BEVERAGE-AIR

Project: _____	AIA#
Item: _____	SIS#
Location: _____	
Approved: _____	

MARKETEER™ MERCHANDISERS

MT53-1 Hinge Door Models
Hydrocarbon Series

MODELS:
MT53-1 W
MT53-1 B

3 Year Parts/Labor Warranty
Additional 2 Year Compressor Warranty



MT53™ Merchandiser: Hinge Door Models



3779 Champion Blvd., Winston-Salem, NC 27105
1-888-845-9800 Fax: 1-336-245-6453
Beverage-Air.com sales@bevair.com



BEVERAGE-AIR

Contents

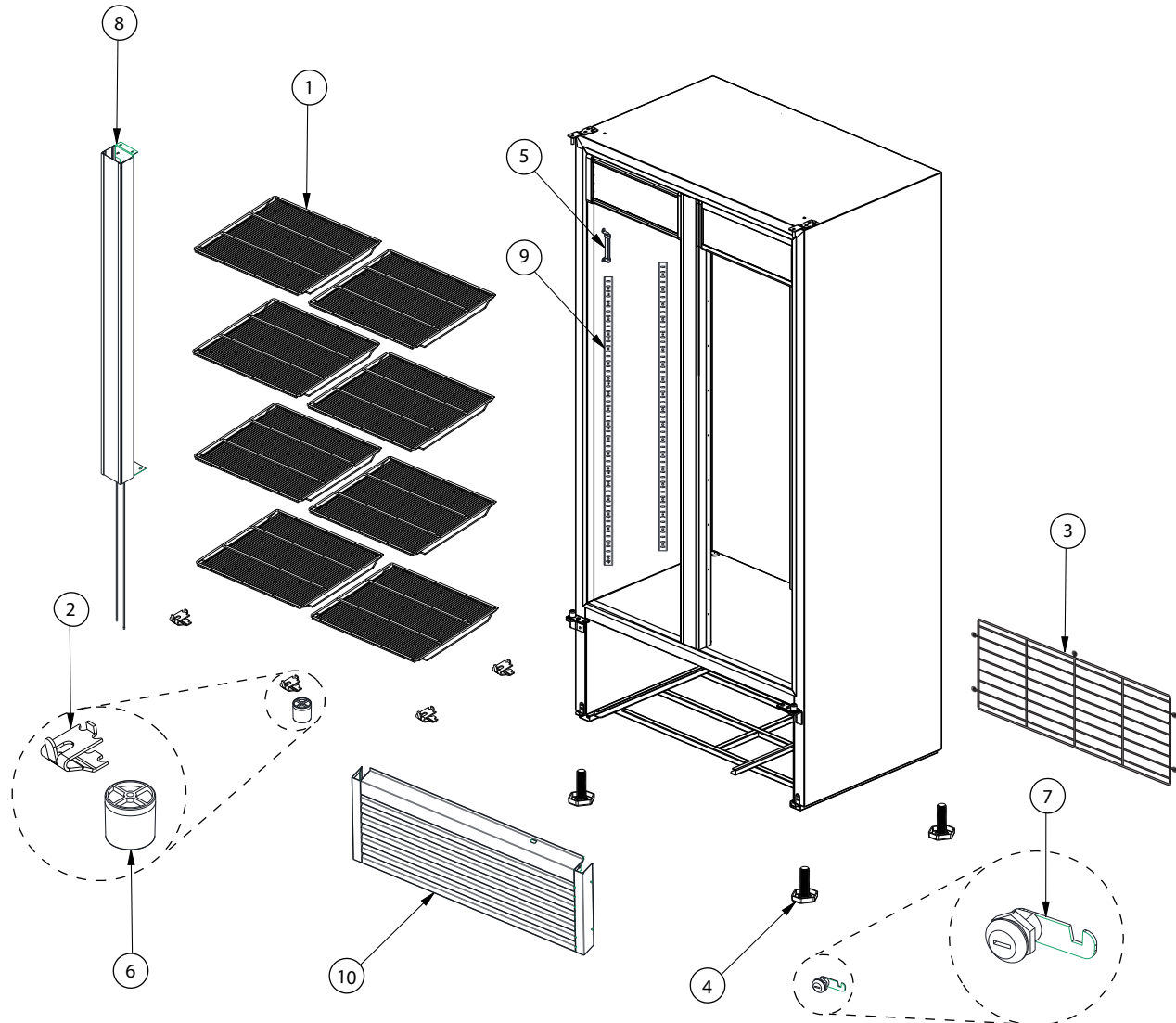
Notes

Models with the same refrigeration system and operation condition are included in this manual

Drawings are an approximate representation of the reality

All accessories (shelves, clips, etc) are considerate from product base, extra items are not included

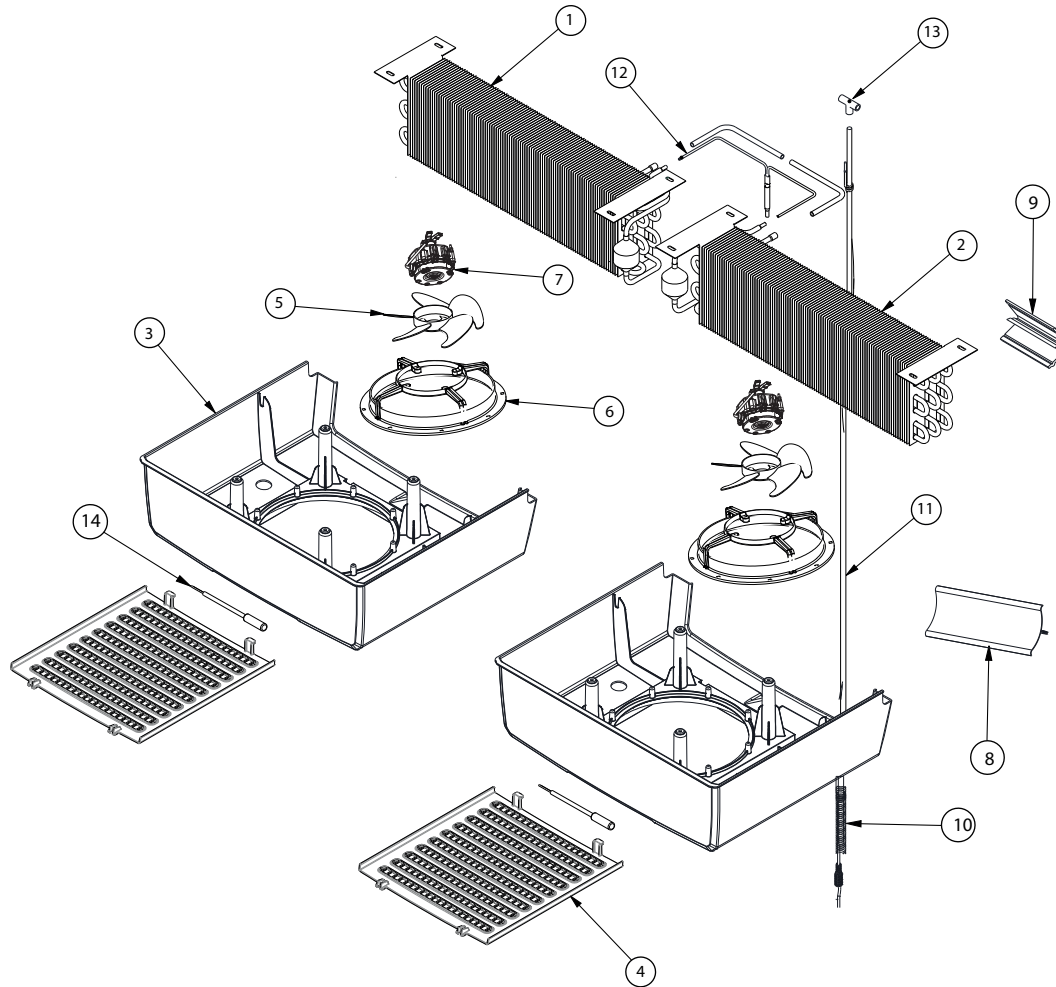




ITEM	INTERNAL CODE	SPARE PART CODE	DESCRIPTION
1	3037207	2024709	SHELF
2	3041575	2031014	CLIP, F/PILASTER
3	3045618	2045970	REAR GRILL WIRE
4	3022238	2068362	LEVELING SCREW
5	3017492	2068673	THERMOMETER
6	3001490	2033139	WALL SEPARATOR
7	3035296		MECHANICAL LOCKING
8	2070358		POLE FRONTAL
9	3017373	2049949	PILASTER
* 10A	2070352		WHITE METALLIC FRONT GRILL
* 10B	2070894		BLACK METALLIC FRONT GRILL

* Spare part numbers may vary depending on the different version of each cooler.





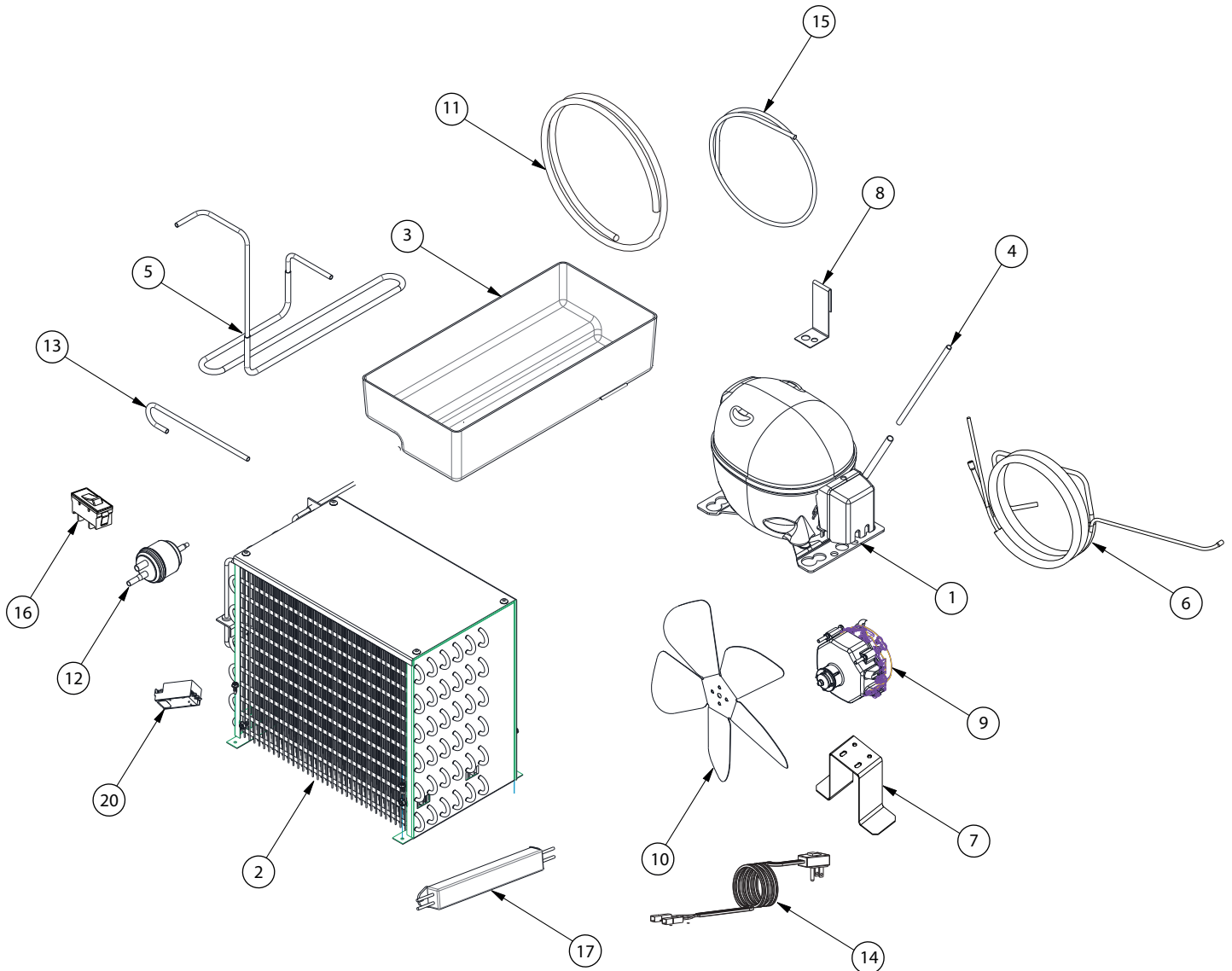
ITEM	INTERNAL CODE	SPARE PART CODE	DESCRIPTION
1	3054281	2068680	RIGHT EVAPORATOR
2	3054282	2068681	LEFT EVAPORATOR
3	2064215	2068682	EVAP HOUSING
4	2044821	2068676	GRILL, ABS FAN BLADE UL
5	3053538		EVAP FAN BLADE, 8" Ø 28°
6	3023907	2021792	MOTOR EVAP SUPPORT
7	3030464	2065335	EVAP FAN MOTOR, 16W 1800RPM
8	2015705		DEFLECTOR MOLDING
9	2038149	2034807	MOLD DEFLECTOR SUPPORT
10	3055769		CAP PIPE, 0.055"X144" N/OM
11	2065243		RETURN PIPE, 1/4" 1.810M W/CAP VRD43 R2
12	3055923		DISTRIBUTION PIPE
13	3036199	2065347	COPPER T 1/4"
14	3031133	2056127	TEMPERATURE SENSOR





ITEM	INTERNAL CODE	SPARE PART CODE	DESCRIPTION
1	3056027	2068683	COMPRESSOR, EMC3140U
2	2047059	2056133	CONDENSER
3	2010600	2024707	COND PAN
4	2014639	2063514	CHARGE PIPE
5	2066143		DISCHARGE PIPE
6	2066142		HEAT EXCHANGER
7	3033267	2068684	MOTOR COND SUPPORT
8	2066813		COND PAN SUPPORT
9	3030464	2065335	COND FAN MOTOR, 16W 1800RPM
10	3024836	2061515	COND FAN BLADE, 8 3/4" Ø25°
11	3001112	2061516	HOSE, 5/8" 1.20M
12	3043930	2055229	FILTER
13	2030264		VACCUM PIPE
14	3022239	2065163	POWER CORD
15	3001110	2065320	HOSE 18MM, 0.090M
16	3001457	2016558	ROCKER SWITCH
17	3044404	2048141	LED DRIVER
18	3054674		CONTROL HARNESS
19	3057732	2065098	COMPRESSOR HARNESS
20	3052756		CONTROLLER
21	3044297		LIGHTING HARNESS

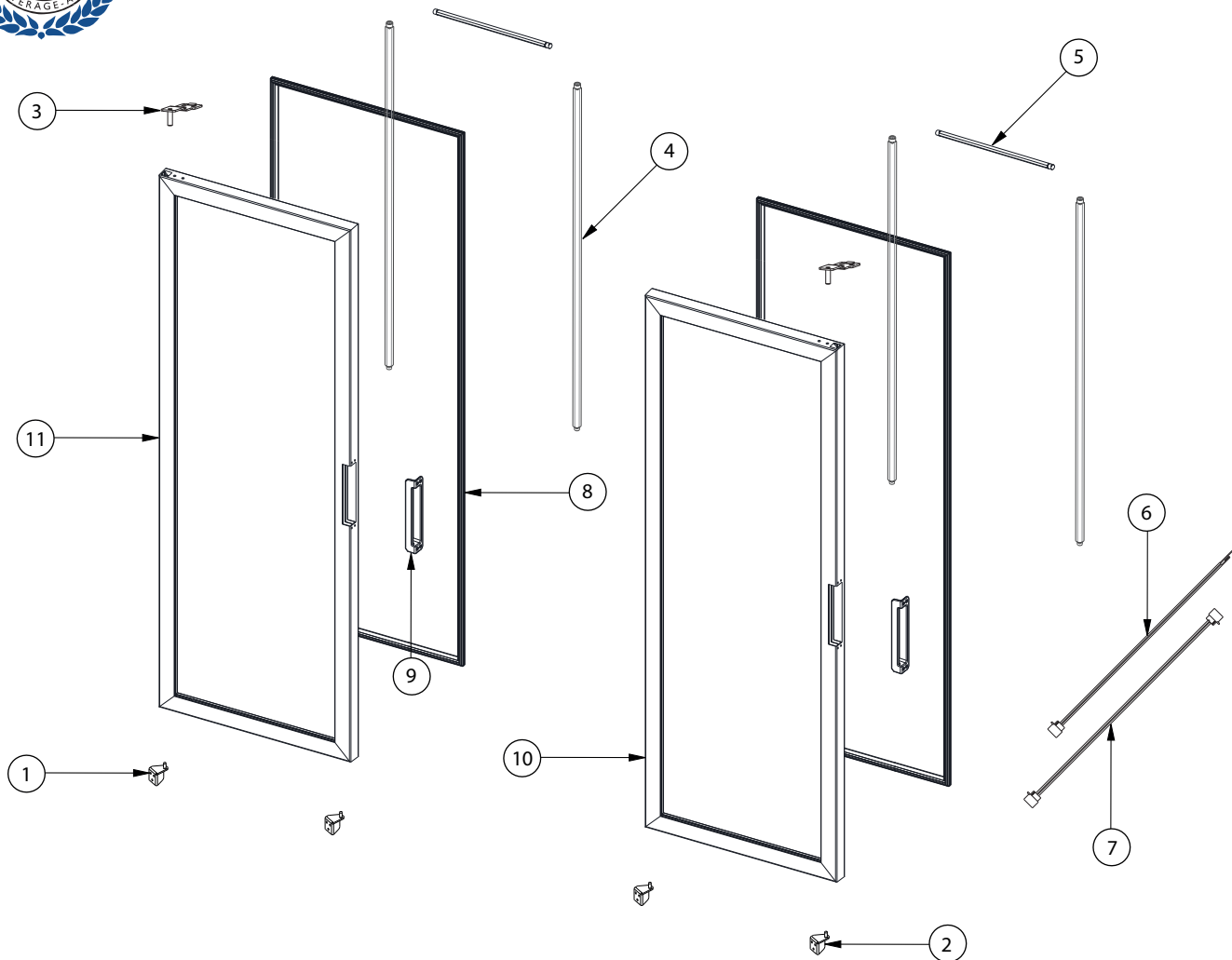






BEVERAGE-AIR

Door



ITEM	INTERNAL CODE	SPARE PART CODE	DESCRIPTION
1	3055138	2068373	BOTTOM HINGE METALLIC
2	3055137	2068372	BOTTOM HINGE METALLIC
3	3023206	2016574	TOP HINGE METALLIC
4	3052970		18 LED MODULE
5	3041706	2055502	6 LED MODULE
6	3027227	2040477	F-M LED MODULE HARNESS
7	3027228		ARNES H-DRIVER MODULED
8	3030208	2046559	DOOR GASKET
* 9A	3057651		BLACK PLASTIC DOOR HANDLE
* 9B	3055404		WHITE PLASTIC DOOR HANDLE
* 10A	2070356		BLACK LEFT GLASS DOOR
* 10B	2071086		WHITE LEFT GLASS DOOR
* 11A	2070357		BLACK RIGHT GLASS DOOR
* 11B	2071084		WHITE RIGHT GLASS DOOR

* Spare part numbers may vary depending on the different version of each cooler.



an Ali Group Company



3779 Champion Blvd., Winston-Salem, NC 27105
1-888-845-9800 Fax: 1-336-245-6453

Beverage Air

