



**BEVERAGE-AIR**

Project: _____	AIA#
Item: _____	
Location: _____	SIS#
Approved: _____	

**CT MERCHANDISER SERIES**  
**CT96HC Countertop Refrigerator**  
**Hydrocarbon Series**

**MODELS:**  
**CT96HC-1-B**



**CT96HC-1-B**

**1 Year Parts/Labor Warranty**  
**Additional 4 Year Compressor Part Only**

**CABINET CONSTRUCTION**

- Exterior is heavy duty black textured steel
- Black plastic door frames with locks standard
- Interior is heavy duty white epoxy coated steel
- Full electronic control with display
- LED light standard
- Double pane tempered glass
- Door locks
- 3 Epoxy coated shelves standard
- 2 Top shelves are adjustable
- Temperatures from 32°F to 50°F.
- 6' 6" Cord and plug set included

**OPTIONS & ACCESSORIES**

- Custom Graphics
- Wire Shelves

**REFRIGERATION SYSTEM**

- Refrigeration system uses R600a refrigerant to comply with all environmental concerns
- System is serviceable from rear

**CT96HC Countertop Refrigerator: Merchandiser Series**



3779 Champion Blvd., Winston-Salem, NC 27105  
 1-888-845-9800 Fax: 1-336-245-6453  
 Beverage-Air.com sales@bevair.com



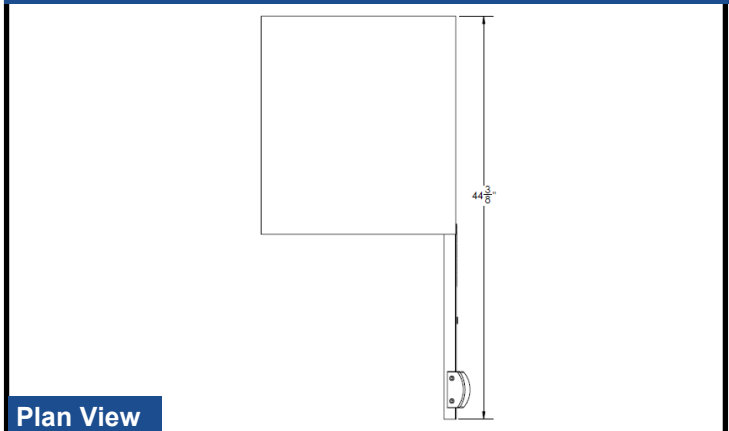
# BEVERAGE-AIR

MODEL	CT96HC-1-B
<b>EXTERNAL DIMENSIONAL DATA</b>	
Width Overall	21 3/8"
Depth Overall with Handle	25 1/2"
Height Overall	37 1/2"
Number of Doors	1
Depth with Door Open 90 °	44 3/8"
Door Opening	18" x 31 1/4"
<b>INTERNAL DIMENSIONAL DATA</b>	
NET Capacity (cubic ft.)	5.9
Internal Width Overall (in)	18 1/4"
Internal Depth Useable (in)	Upper 19 1/8" Lower 12 1/4"
Internal Height Overall (in)	31 5/8"
Internal Height Useable (in)	24 1/8"
Number of Shelves	3
<b>ELECTRICAL DATA</b>	
Full Load Amperes 115/60/1	1.3
<b>REFRIGERATION DATA</b>	
Horsepower	1/5
<b>WEIGHT DATA</b>	
Gross Weight (kgs)	112 lbs
Height - Crated	41"
Width - Crated	23"
Depth - Crated	27"

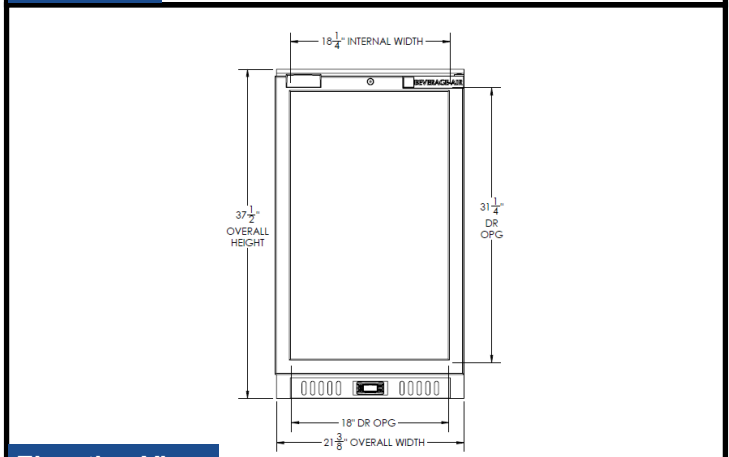
## Countertop Refrigerator

Models: CT96HC-1-B

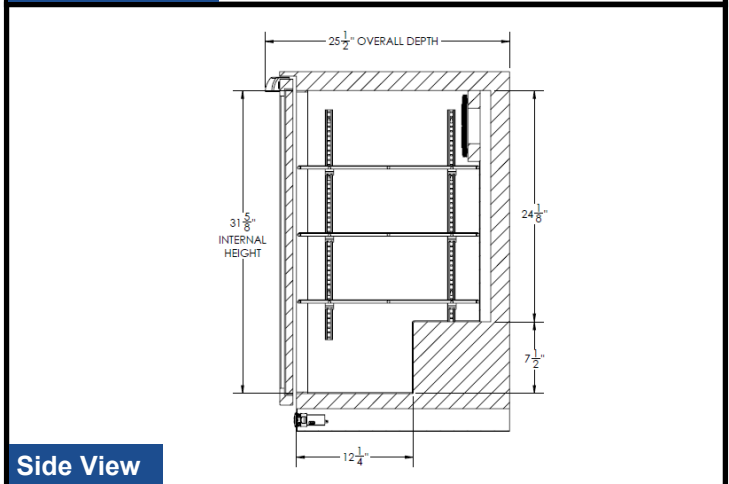
### Model Views



Plan View



Elevation View



Side View

### ELECTRICAL CONNECTION



115/60/1  
NEMA-5-15P

Units pre-wired at factory and include 6' 6" long cord and plug set.



an Ali Group Company



The Spirit of Excellence

3779 Champion Blvd., Winston-Salem, NC 27105  
1-888-845-9800 Fax: 1-336-245-6453  
Beverage-Air.com sales@bevair.com