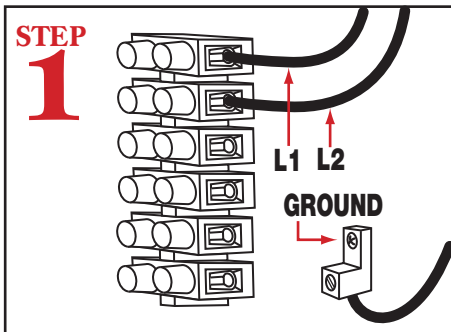
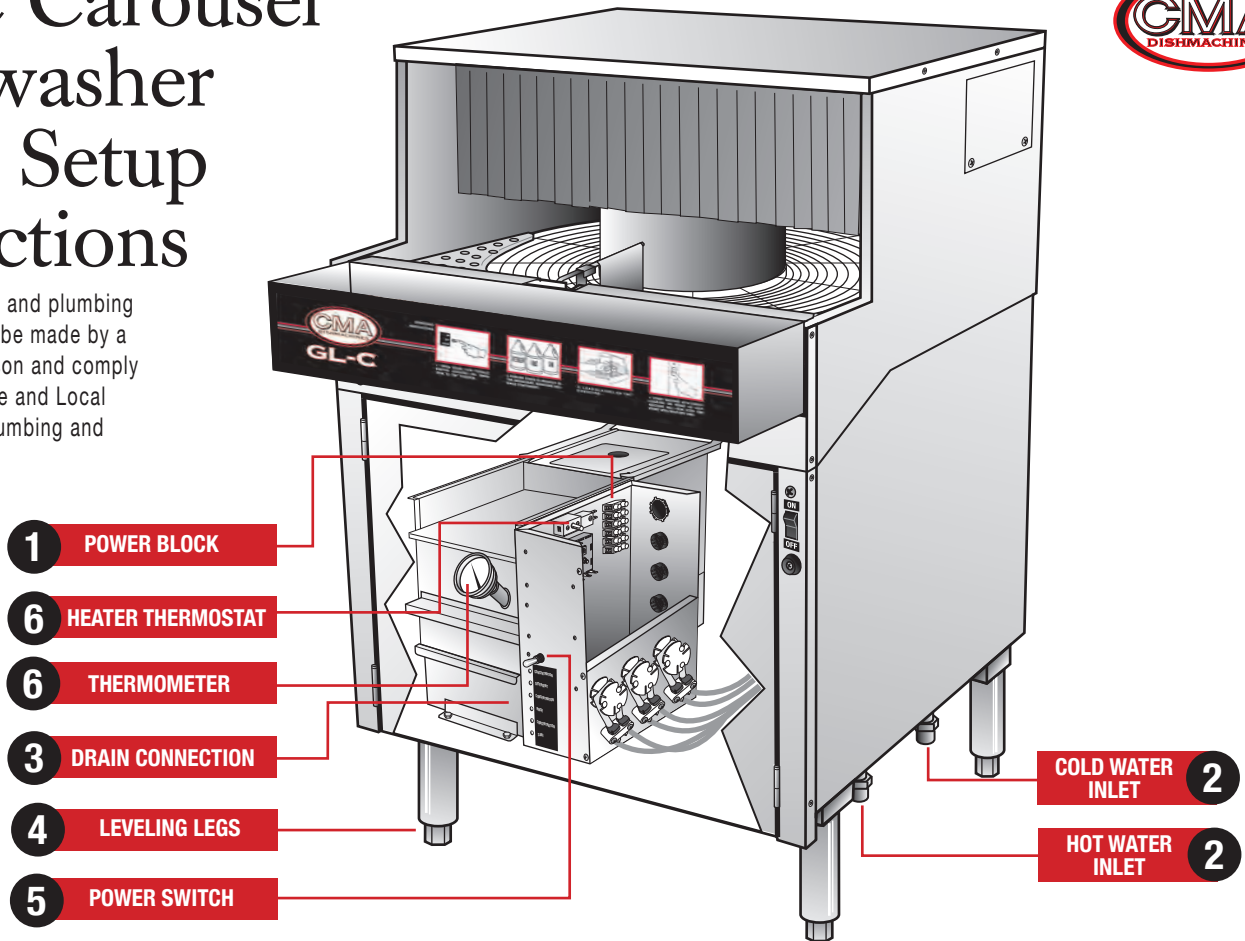


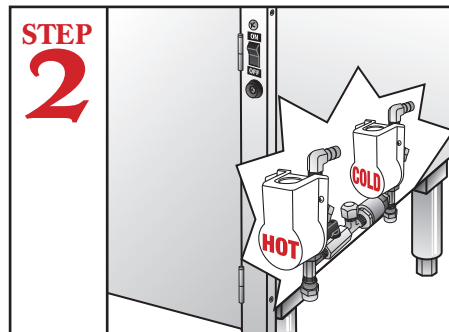
# GL-C Carousel Glasswasher Quick Setup Instructions



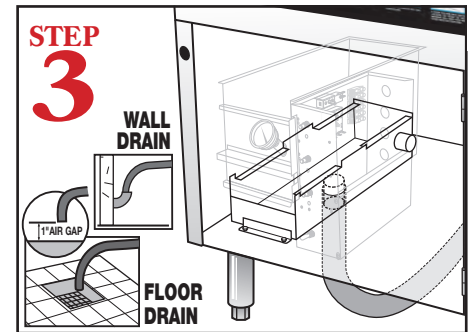
**WARNING:** Electrical and plumbing connections need to be made by a licensed service person and comply with all Federal, State and Local Health, Electrical, Plumbing and Safety codes.



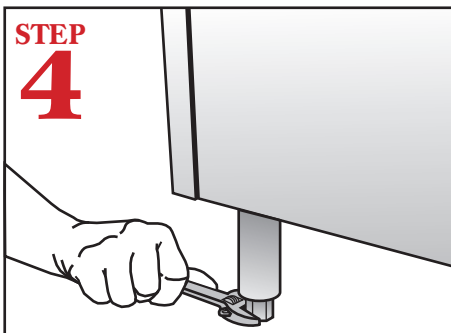
Connect L1 and L2 leads to the power block ground wire to ground lug.



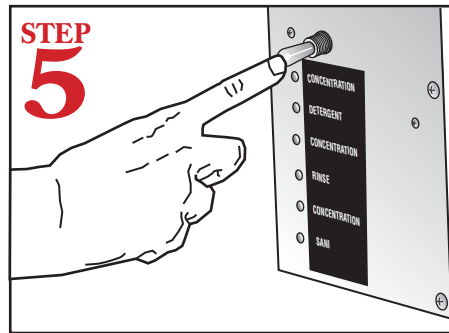
Connect water lines (hot 140F/160F) and (cold 75F) to water solenoid valves.



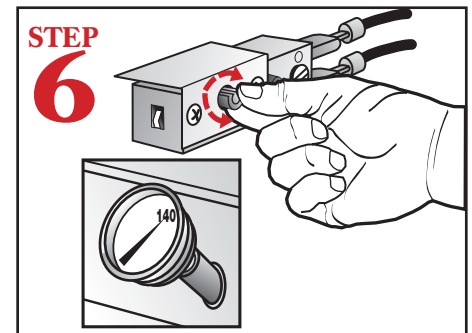
Connect the drain hose to the FLOOR DRAIN. If floor drain is not available connect to the wall. Floor drain must have a (1 inch) air gap between the drain hose and the floor drain.



Level dishmachine by adjusting leveling legs. Dishmachine must be level front and back to ensure proper performance.



Flip power "on-off/flush" switch to "ON" position. Wash tank will automatically fill.

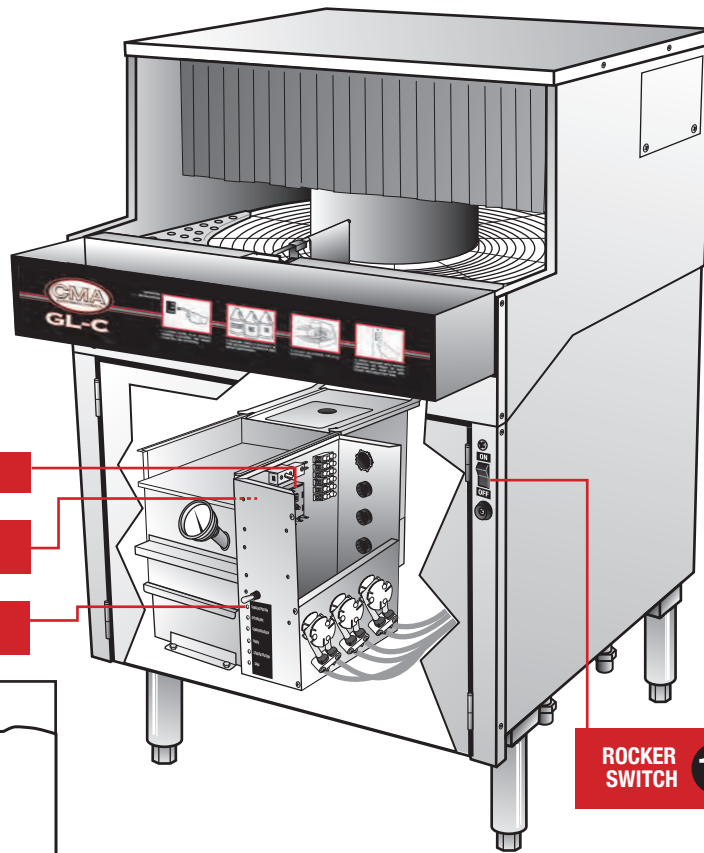


Adjust heater thermostat to 140F.

# GL-C Carousel Glasswasher Quick Setup Instructions



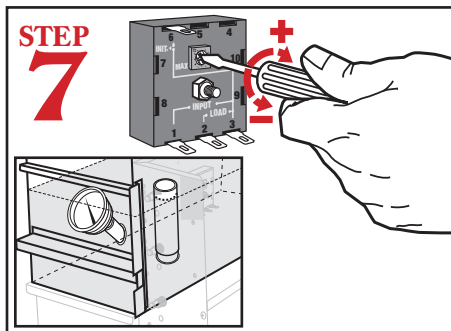
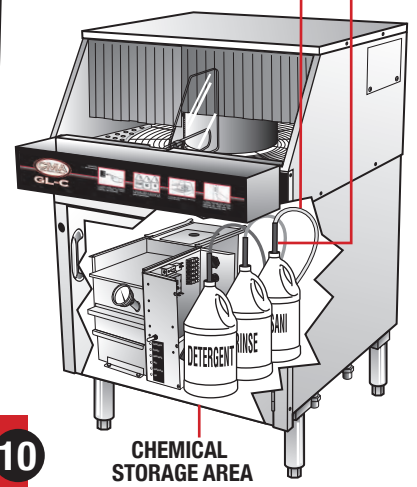
**WARNING:** Electrical and plumbing connections need to be made by a licensed service person and comply with all Federal, State and Local Health, Electrical, Plumbing and Safety codes.



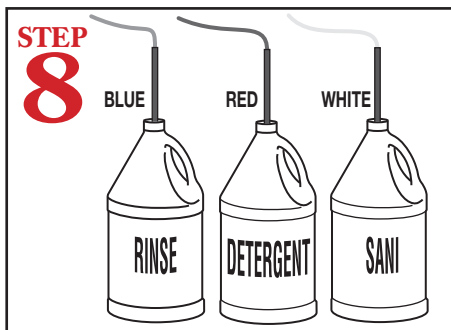
- 7** AUTO FILL TIMER
- OVERFLOW DRAIN TUBE
- 9** PRIMER PUSH BUTTONS

- TUBE STIFFENER **8**
- CHEMICAL TUBING **8**

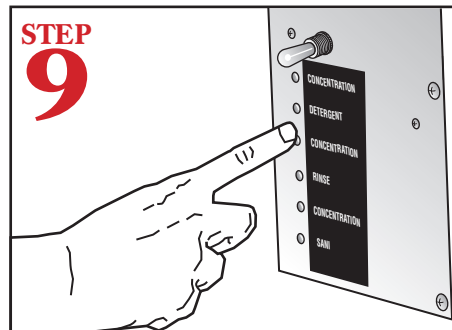
- ROCKER SWITCH **10**



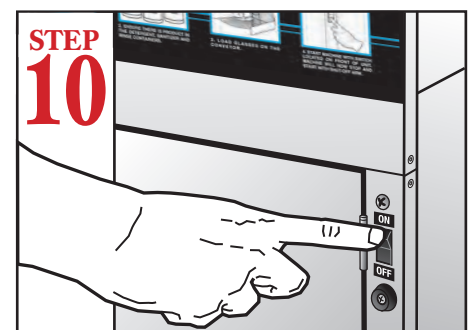
Adjust auto-fill timer to 10 seconds to set water level.



Insert tube stiffener with chemical tubing into corresponding chemical dispensers.



Push each of the chemical prime buttons and hold until the chemical feed tubes are full.



Start conveyor by flipping rocker switch to "ON" position.

PN: 10130.37

an Ali Group Company



11-2017