



Installation/Operation Manual

High Temperature
Undercounter Dishwasher



Model H-1X

High Temperature Wash and Drain
with built-in booster and Pumped
Final Rinse



Issue Date: Sept 23 2021

Manual P/N

For machines beginning with S/N W190688229 and above

CMA Dishmachines
12700 Knott Avenue
Garden Grove, CA 92841
Toll-free: 1 (800) 854-6417

Printed in the USA





PRODUCT REGISTRATION ONLINE

Connect to the internet and enter the URL below to register your machine.

<https://cmadishmachines.com/warranty-registration/>

For future reference, record your dishwasher information in the box below.

Model Number _____	Serial Number _____
Voltage _____ Hertz _____	Phase _____
Service Agent _____	Tel: _____
Parts Distributor _____	Tel: _____

National Service Department

CMA Dishmachines
12700 Knott Avenue
Garden Grove, CA 92841
Toll-free: 1 (800) 854-6417
Fax: 1 (714) 895-2141

ATTENTION:

The model no., serial no., voltage, Hz and phase are needed to identify your machine and to answer questions.

The machine data plate is located on the lower front panel.

Please have this information ready if you call for service assistance.

Revision History

Specifications are subject to change based on continual product improvement.

Revision Date	Revised Pages	Serial Number Effectivity	Revision Description
9.23.21	All	W190688229	Released first edition

Table of Contents

Revision History	i
Installation	1
Installation Codes	1
Receiving	1
Placement	1
Water Connection	2
Drain Connection	3
Electrical Connection	6
Booster Fill Procedure	10
Machine Start-up	11
Chemical Dispensing Pumps	11
Priming the Chemical Dispensing Pumps	11
Operation	13
Normal Wash Mode	13
Loading Dish Racks	14
Operational Display	16
Start-up Sequence	16
Sump Fill Level	17
Wash Cycle	17
Rinse Sentry	18
AutoClean Drain	18
Cleaning	19
Cleaning the Wash Tank	19
Cleaning the Spray Arms	20
Cleaning Scrap Screen and Sump Strainer	21
Delimiting	22
Maintenance	23
Maintenance Schedules	23
Diagnostic Features	25
Parameter Settings Instruction Sheet	27
Electrical Schematic	29
Timing Chart	30

This Page
Intentionally
Left Blank

INSTALLATION CODES

The installation of the dishwasher must comply with all local electrical, plumbing, health and safety codes or in the absence of local codes, installed in accordance with the applicable requirements in the National Electrical Code, NFPA 70, Canadian Electrical Code (CEC), Part 1, CSA C22.1; and the Standard for Ventilation Control and Fire Protection of Commercial Cooking Operations, NFPA 96.

RECEIVING

- Inspect the shipping carton damage and report immediately.
- Inspect the shipment for accessories and items shipped with the machine.
- Compare the installation site utilities to ensure they are the correct size and location.



CAUTION: Be careful when moving the dishwasher to prevent damage.

PLACEMENT

1. The dishwasher can be installed as a free-standing unit or under a counter-top. The typical counter-top height in most locations is 34" [86cm].
2. It is highly recommended that the underside of the counter-top be clad in metal.
3. Under counter installations should provide storage space for the dishwasher chemical supply containers. Do not elevate the containers above the finished floor.
4. Chemical supply containers should be placed as close to the machine as possible and the chemical tubing taped to the back of the machine should be repositioned before permanently placing the machine.
5. Place the dishwasher in its permanent location.
6. The dishwasher has 4 adjustable feet for leveling.
7. Level the dishwasher front-to-back and side-to-side.

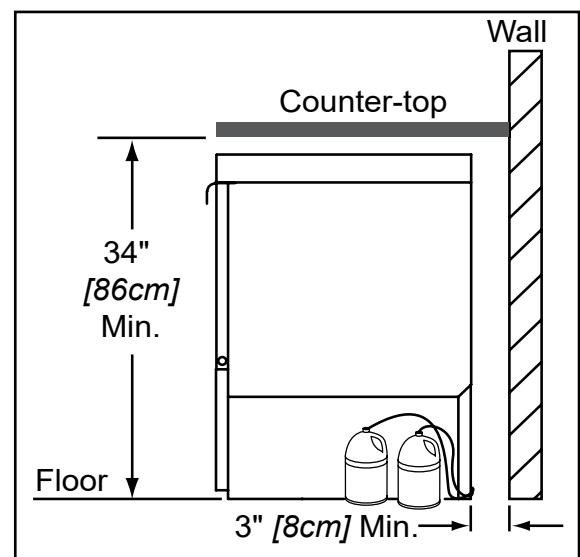


Fig. 1

WATER CONNECTION

NOTE:

The installation of the dishwasher must be performed by a qualified service personnel familiar with food service equipment. Problems due to improper installation are not covered by the Limited Warranty.

The installation of the dishwasher must comply with all local electrical, plumbing, health and safety codes or in the absence of local codes, installed in accordance with the applicable requirements in the National Electrical Code, NFPA 70, Canadian Electrical Code (CEC), Part 1, CSA C22.1; and the Standard for Ventilation Control and Fire Protection of Commercial Cooking Operations, NFPA 96.



CAUTION: Plumbing connections must be made BEFORE the electrical connections. Damage to water heaters will occur if the power is turned on without an adequate water supply.



It is the installing plumber's responsibility to flush the incoming water line to remove debris before connecting to the machine. Failure to do so will void the warranty.

1. All models have a 6 ft. flexible hot water fill hose with a 3/4" female garden hose connector.
2. A 1/2" or larger main incoming supply line must be installed to the dishwasher.
3. A 1/2" or larger shut-off valve should be installed in the main water supply, as close to the dishwasher as possible for servicing.
4. A water hardness of 3 grains/gal (US) [5.3 mg/L] or less is recommended. Excessively hard water will negatively impact wash results.

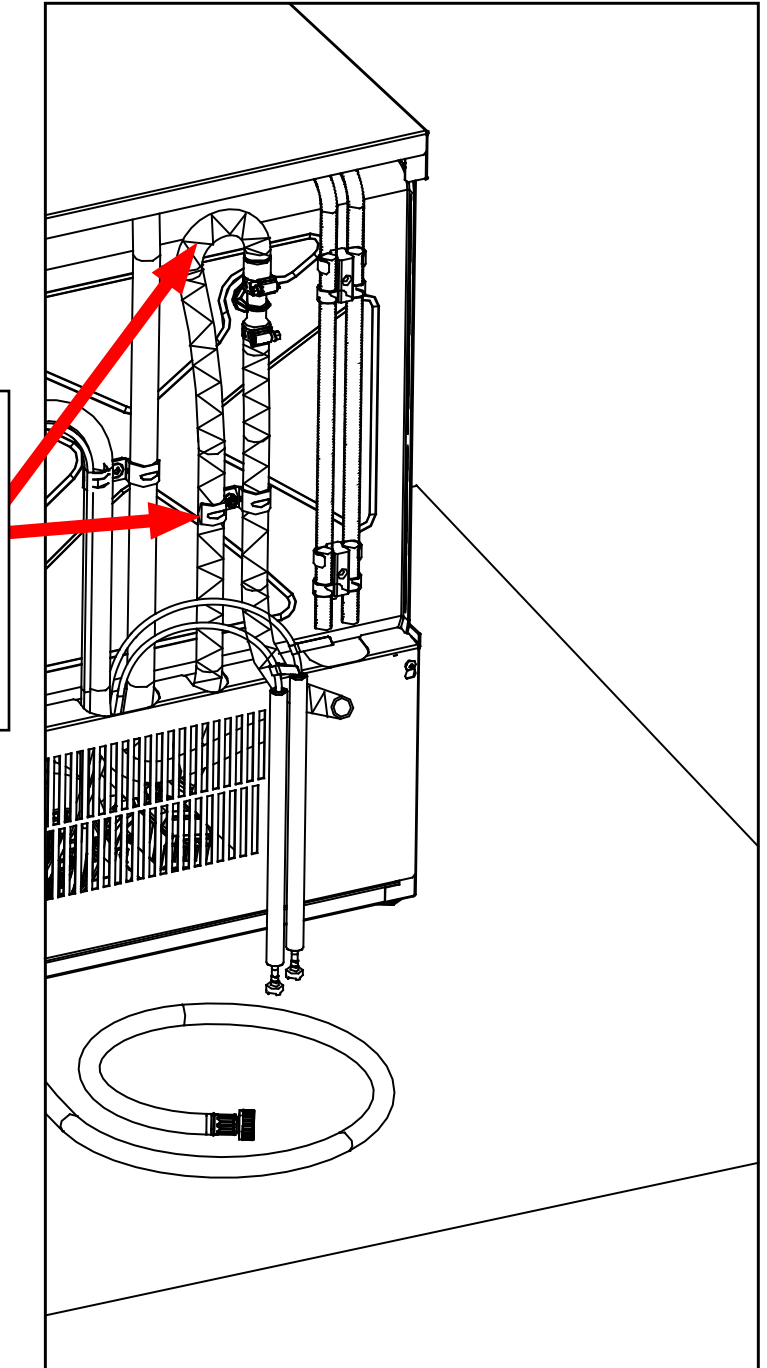
THIS Machine has a built-in flow control. The flowing incoming hot water supply must be between 25-95 psi. The hot water supply must provide a minimum 140°F/66°C measured at the dishwasher.

DRAIN CONNECTION

! VERY IMPORTANT !

The dishwasher will not drain correctly if it is connected to a disposer.

THE DRAIN HOSE IS LOOPED AND CLAMPED AND MUST NOT BE CHANGED. ALTERING THE DRAIN HOSE ROUTING MAY RESULT IN THE MACHINE'S INABILITY TO DRAIN OR MAY CAUSE THE MACHINE TO SIPHON THE WATER OUT OF THE MACHINE.



DRAIN CONNECTION (continued)

! ATTENTION !

Failure to follow the drain connection instructions may void the warranty.

1. Machine is equipped with a 6ft. [2m] 5/8" I.D. drain hose. The maximum drain height connection must not exceed 3ft. [1m] and must be vented to prevent wash tank siphoning.
2. Drain hose is located at the rear of the machine and is secured by two clamps to maintain the anti-siphoning loop in the drain hose.
3. A 3/4" hose barb fitting is strapped to the drain. The Hose Barb Fitting is P/N 0512321.
4. Additional parts are supplied by others.
5. The maximum drain flow is 15 US gpm/12.4 imp gpm, /60 lpm.

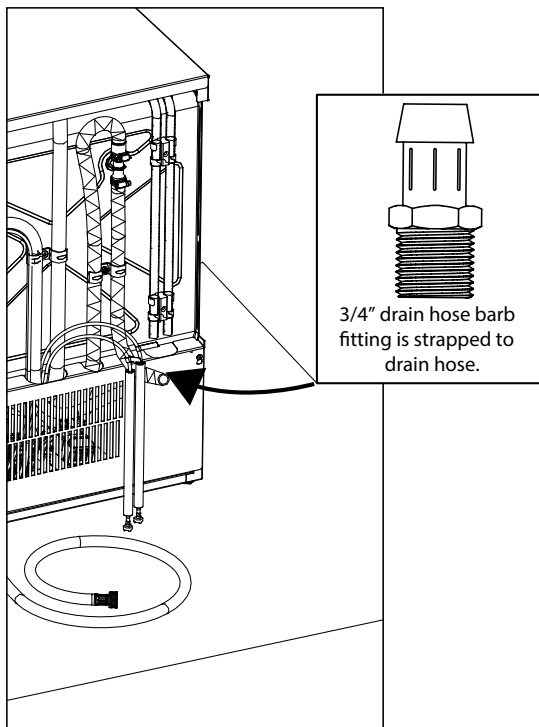


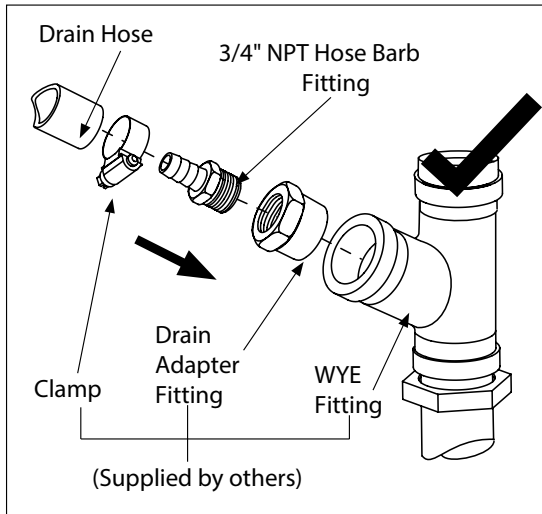
Fig. 2

DO NOT

- Do not remove the clamps holding the drain hose to the back of the machine.
- Do not connect the dishwasher to a disposer.
- Do not reduce the size of the drain hose connection or use a domestic drain fitting.
- Do not add additional length to the drain hose.
- Do not allow the drain hose to kink.

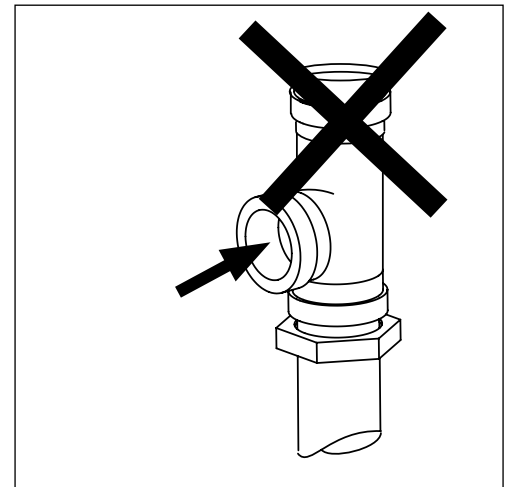
Building Drain Connection

1. Install the drain hose to an 1-1/2" or larger "WYE" fitting.
2. Building drain system must be properly vented.
3. Connection to a "TEE" fitting will prevent the dishwasher from draining completely



DO connect the flexible drain hose to a vented "WYE" connection.

Fig. 3



DO NOT connect the flexible drain hose to a TEE fitting.

Indirect Drain Connection

1. A 1" (25.4mm) minimum air gap must be maintained between the outlet of the drain hose and the flood-level rim of the floor drain, floor sink, or any other locally approved drain receptacle (see Fig. 4).

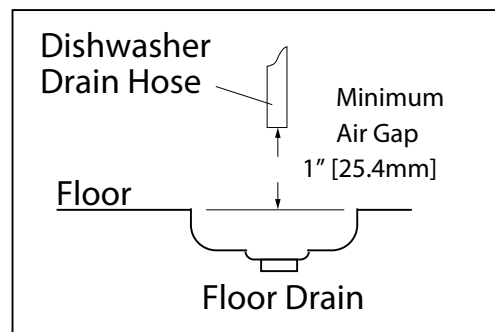


Fig. 4

! VERY IMPORTANT !

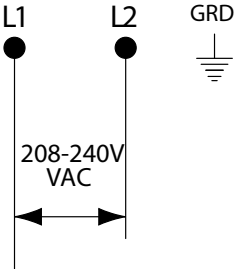
Drain problems are often due to improper installation of the drain hose and may not be covered by the limited warranty.

ELECTRICAL CONNECTION

Connect Power to the Main Terminal Block

NOTE:

The installation of the dishwasher must comply with all local electrical, plumbing, health and safety codes or in the absence of local codes, installed in accordance with the applicable requirements in the National Electrical Code, NFPA 70, Canadian Electrical Code (CEC), Part 1, CSA C22.1; and the Standard for Ventilation Control and Fire Protection of Commercial Cooking Operations, NFPA 96.

SINGLE PHASE POWER CONNECTION	
	
! VE RY IMPO RTANT !	
THE ELECTRICAL POWER MUST BE A 2-WIRE PLUS GROUND SUPPLY.	
HOW TO CONNECT 1 PHASE POWER	
1. Check the data plate on the front of the dishwasher for the phase of the machine.	
If the data plate says the machine is 1 Phase, then connect a 1 PH power supply.	
2. Remove the lower access panel.	
3. Pull power connection box forward out.	
4. The Main Terminal Block has connections for L1, L2 and Ground.	
5. Connect ground, then connect L1, L2 to 208-230 VAC.	
DO NOT CONNECT POWER TO L3.	
7. Main Power connections are complete.	

ELECTRICAL CONNECTION

Connect Power to the Main Terminal Block



WARNING:

Electrocution may occur when working on energized circuits. Disconnect power at main breaker or service disconnect switch; lock out and tag to indicate work is being performed on the circuit.

! VERY IMPORTANT !

Provide a 3 feet/1 meter service loop in the power supply cable to service the machine.

! SINGLE PHASE POWER REQUIREMENT !

SINGLE PHASE H-1X

The electrical power must be a 2-wire plus ground supply, hard wired to a dedicated, appropriately sized circuit breaker.

ELECTRICAL CONNECTION

Connect Power to the Main Terminal Block

1. Remove the lower front dishwasher panel (Fig. 5).

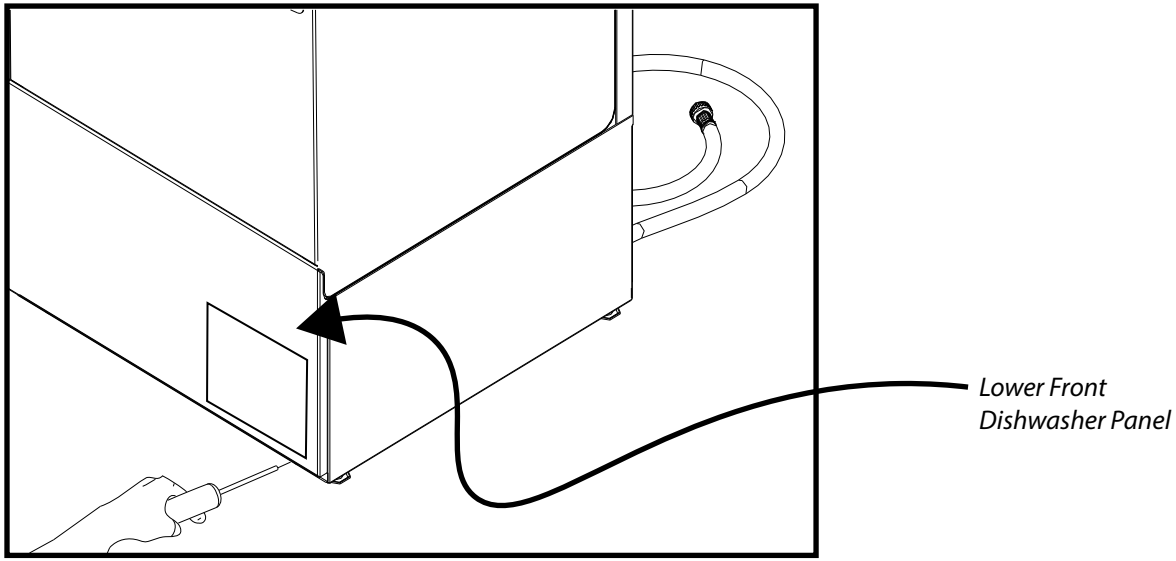


Fig. 5

2. Remove the retaining fastener (A) from the main terminal block (Fig. 6)

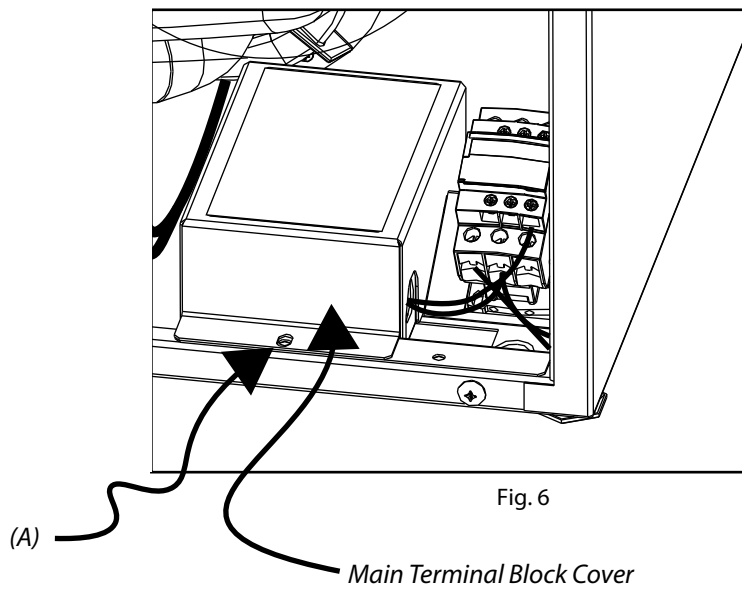


Fig. 6

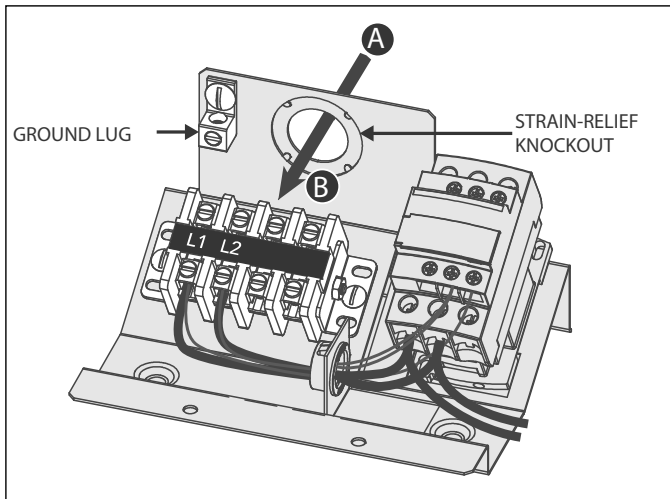
(continued on next page)

ELECTRICAL CONNECTION

Connect Power to the Main Terminal Block

Refer to Fig. 7 below:

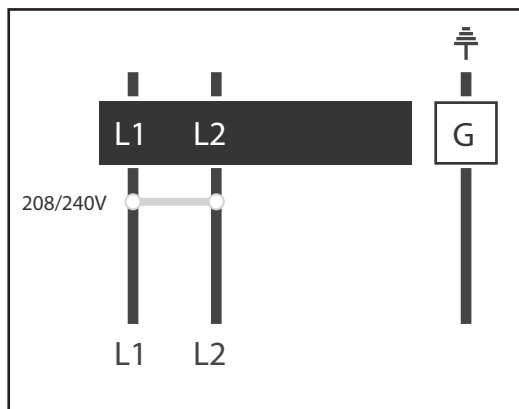
3. Provide a 3 foot/1 meter service loop in the machine power supply cable.
4. Route the power cable from machine rear to terminal block making sure the cable does not touch the booster tank.
5. Connect the power cable to the terminal block bracket using a suitable strain relief connector.
6. Connect the power wires according to the wiring diagram on page 6.



A 30" / 76 cm SERVICE LOOP MUST BE PROVIDED BEHIND THE UNIT FOR SERVICING.

A THREAD THE POWER CABLE THROUGH THE MIDDLE SLOT IN THE DISHWASHER REAR PANEL.

B SECURE THE CABLE TO THE TERMINAL BOX USING THE PROPER STRAIN RELIEF.



CONNECT THE INCOMING POWER AS SHOWN AT LEFT

208-240V/60Hz/1
TWO POWER WIRES PLUS AN ADDITIONAL WIRE **MUST** BE PROVIDED FOR MACHINE GROUND.

BOOSTER FILL PROCEDURE

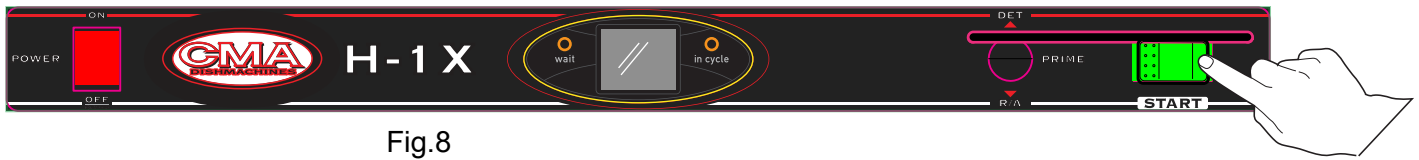


Fig.8

Follow the instructions to fill the booster tank prior to washing dishes.

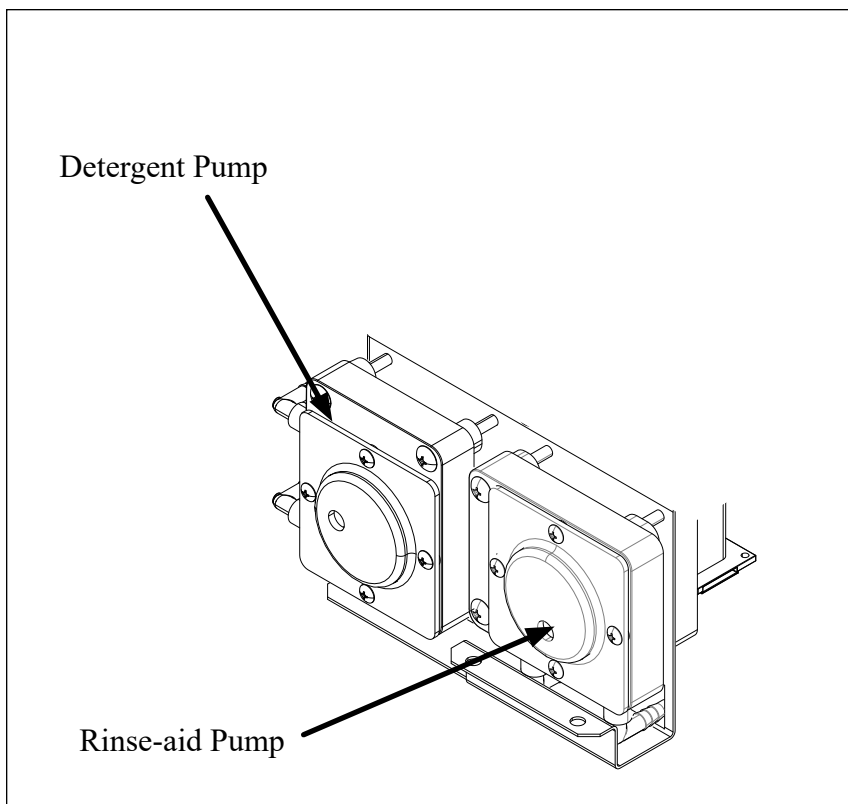
1. DO NOT TURN THE DISHWASHER POWER SWITCH ON
2. Turn the main water supply to the machine ON.
3. Turn the main breaker or disconnect power switch ON.
4. Press and hold the dishwasher green start switch for three seconds to activate the fill solenoid.
5. Continue to hold the start switch until water enters the wash tank.
6. Release the green start button.
7. Booster pre-fill is complete.

Chemical Dispensing Pumps

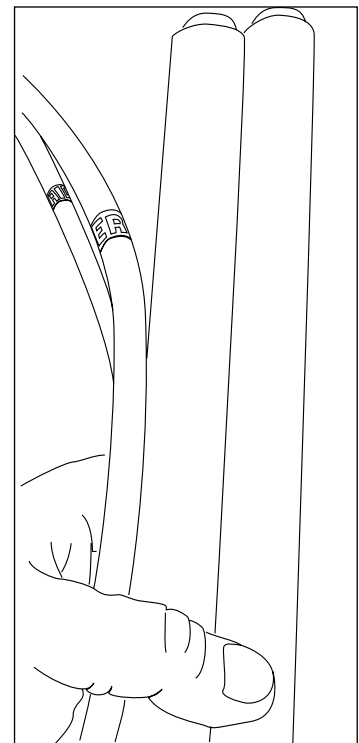
! ATTENTION !

Contact a local chemical supplier for detergent and rinse-aid chemicals. The detergent should be a non-chlorinated liquid detergent. The chemical dispensing pumps are adjusted by the chemical supplier.

1. The dishwasher is equipped with a built-in detergent dispensing pump and rinse-aid dispensing pump. *(See the photographs below.)*
2. The pumps are located on the lower panel behind the lower-front access panel.
3. Each pump is equipped with 6 feet [1.8 m] of pick-up supply tubing, a stiffener tube, and a strainer.
4. A red label marked DETERGENT is attached to the detergent pump inlet tubing.
5. A blue label marked RINSE-AID is attached to the rinse-aid pump inlet tubing.
6. The detergent enters the wash tank compartment through a fitting at the right rear of the wash compartment. *(See the illustration on the next page).*
7. The detergent supply should be a non-chlorinated liquid detergent.



The dispensing pumps are located behind the front panel.



A stiffener tube, strainer and pick-up tubing are supplied with the built-in detergent and rinse-aid pumps.

Priming the Chemical Dispensing Pumps

! VERY IMPORTANT !
 The chemical dispensing pumps must be primed before operating the dishwasher and whenever the container is changed.

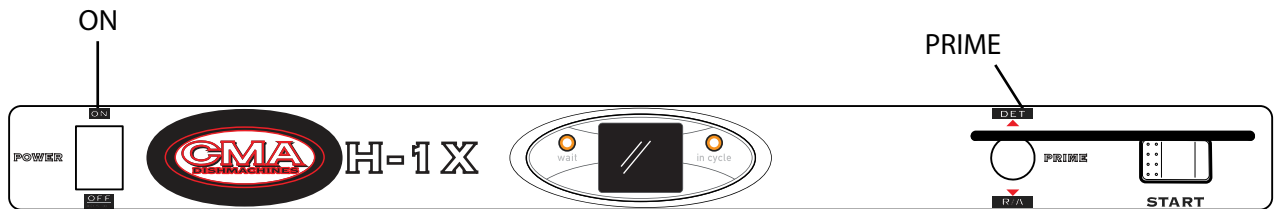


Fig.10

1. The chemical dispensing pump supply lines must be primed before the will pump properly.
2. Make sure the containers are full and the correct pick-up tubes are in their containers.
3. Turn the dishwasher power switch ON. The switch illuminates and the machine fills with water.
4. Push and hold the prime push button DOWN to the R/A (rinse-aid) position for thirty seconds until detergent is observed entering the wash compartment from injection fitting in the right rear of the tank. Release the push button
5. Open the dishwasher door, then push and hold the prime push button, UP to the detergent position until detergent is observed entering the wash compartment from the injection fitting in the right rear of the tank. Release the button.

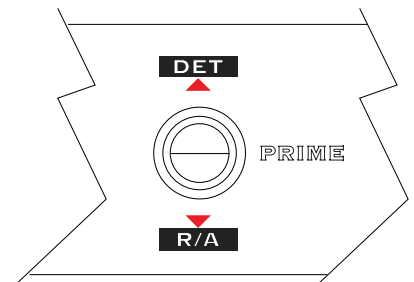
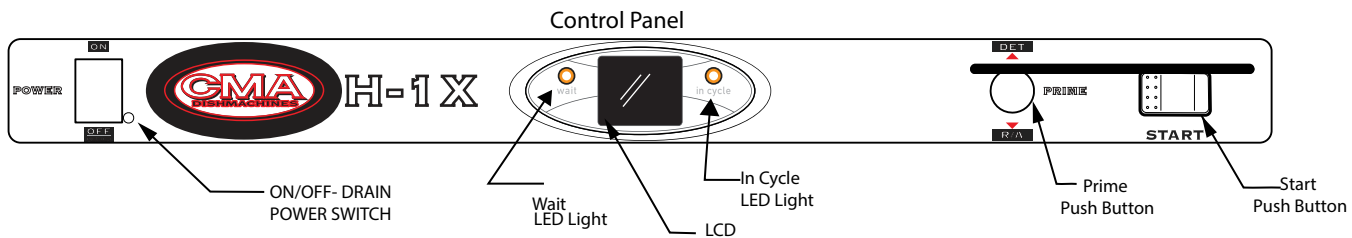


Fig.11

! VERY IMPORTANT !
 INSPECT AND REPLACE THE CHEMICAL DISPENSING PUMP
 SQUEEZE TUBES EVERY SIX MONTHS.

NORMAL WASH MODE



1. Close the door dishwasher front door.
2. Push the Power Switch UP to turn on power.
3. The power switch will illuminate and the machine will fill with water.
4. Wait until the wash temperature indicates a minimum of 150°F/66°C.
PLACE AN EMPTY DISH RACK IN MACHINE AND RUN FIRST CYCLE EMPTY TO HEAT WASH TANK INTERIOR
5. Load the dish rack into the machine. Wash one dish rack at a time.
6. Close the door and press the green start button for 1 second. The green in-cycle light will illuminate and the cycle will begin.
8. The final rinse cycle begins at the end of the wash cycle. The machine drains and refills with fresh hot water. The final rinse must indicate a minimum of 180-195°F/82-92°C.
9. Open the door and remove the wares when the green cycle light goes out.

! ATTENTION !

RINSE SENTRY MODE WILL EXTEND WASH CYCLE TIME

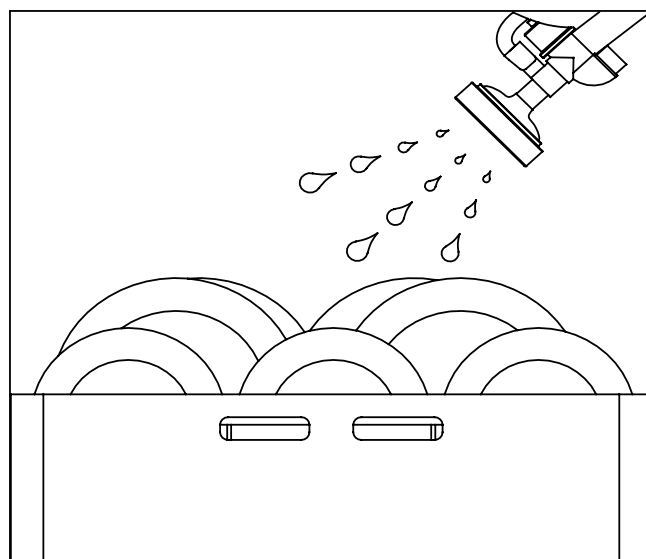
In the event the final rinse temperature has not reached 180-195°F/82-92°C. After the wash cycle, the rinse sentry will extend the wash cycle time until the booster reaches 180-195°F/82-92°C. If the proper temperature is not reached within 5 minutes, the machine will leave the rinse sentry mode and complete the cycle.

LOADING DISH RACKS

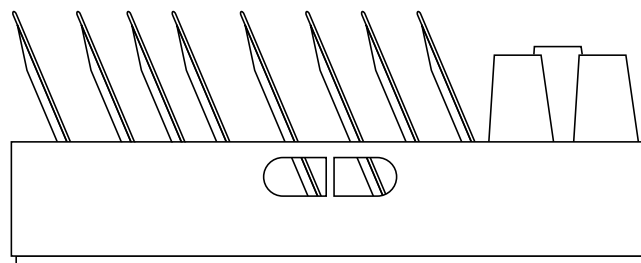
! VERY IMPORTANT !
 DO NOT OVERLOAD THE DISH RACK.
 LOAD ONE DISH RACK INTO THE MACHINE AT A TIME.

1. Prescrap and rinse the wares before loading to remove large food particles.
2. Load soiled wares into the dish rack. Place plates and glasses in a peg rack. Place cups and bowls in an optional flat bottom rack. Place utensils in a single layer in a flat-bottom rack. Place pots and pans in a peg rack.
Do not overload the dish rack. Wash one dish rack at a time.
3. Slide one dish rack into the wash compartment making sure that wares do not interfere with the rotating spray arms. Do not wash more than one dish rack at a time.

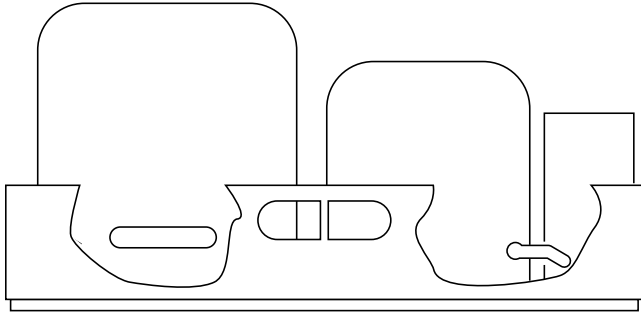
Prescrap and rinse wares before loading
 into the machine.



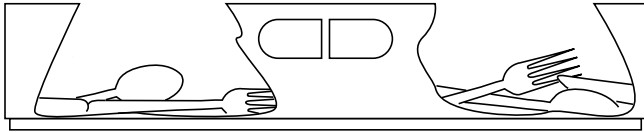
Load plates and glasses in a peg rack.



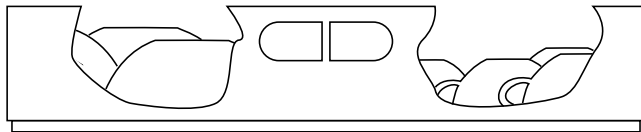
Loading Dish Racks



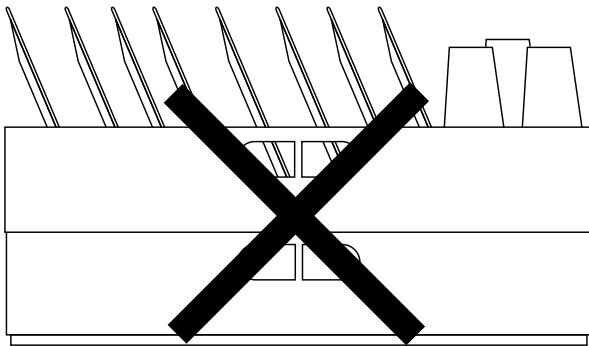
Load pots and pans in an
peg rack or optional flat-bottom rack.



Load utensils in a single layer in a peg
rack or an optional flat-bottom rack.



Load cups and bowls in a peg
rack or an optional flat-bottom rack.



NEVER stack dish racks.
Wash one dish rack at a time.

OPERATIONAL DISPLAY

The screen displays the operational status of the machine throughout the cycle.

- Start-up Sequence



1. When power switch is turned ON, system information screen will show briefly.
2. This shows firmware version, parameter settings, and cycle counts.



1. Machine is filling.
2. Wait light is illuminated.
3. Progress bar shows fill time remaining.



1. Red thermometer indicator shows booster tank is heating.
2. Wait light remains illuminated.
3. Wait light indicates cycle is pending
4. Progress bar shows remaining heat time.



1. Booster heater has achieved temperature
2. Blue thermometer bar shows the wash tank heat is active.
3. Wait light is out and READY shows a cycle may begin.



1. Ready indicates the machine will wash.
2. 155°F indicates the wash tank temp.

SUMP FILL LEVEL



1. After filling sequence is complete, water level should be 1/4" to 3/8" below level of sump flange.

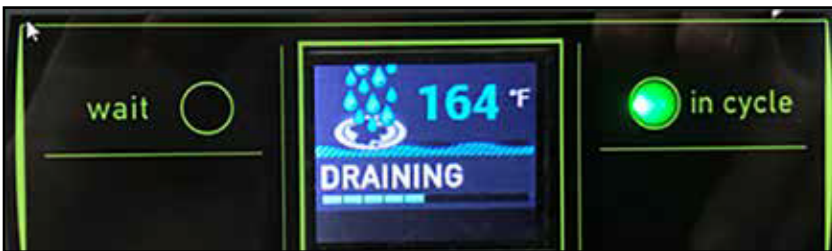
Operational Display (continued)

WASH CYCLE



WASH

1. The status indicator shows cycle progress.
2. In-cycle light is illuminated.



DRAIN

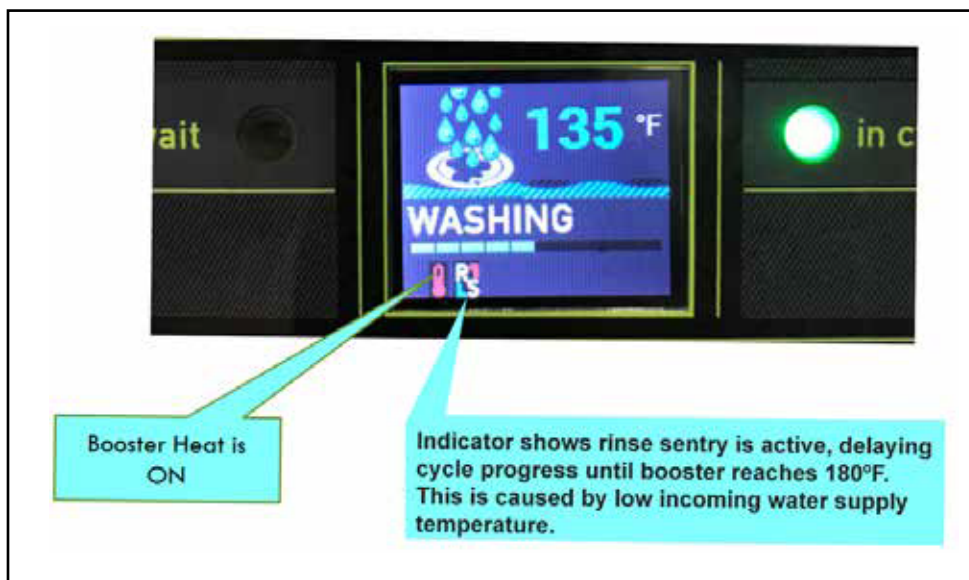
1. When the wash cycle is complete the machine will drain all of the water and refill with fresh hot water.



RINSE

1. Display changes to red and indicates rinse temp.

RINSE SENTRY



AUTOCLEAN DRAIN



1. When machine is turned off, the AutoClean screen with the status indicator is shown.



2. This takes approximately 2-1/2 minutes.
3. When complete, open door to allow machine interior to air dry.

Cleaning the Wash Tank

! VERY IMPORTANT !

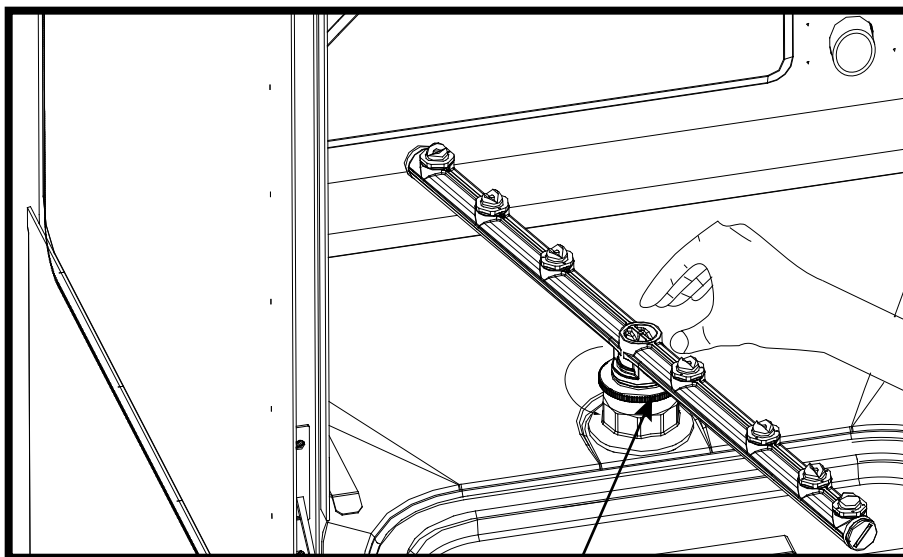
DRAIN AND CLEAN THE DISHWASHER EVERY 2 HOURS OF CONTINUOUS OPERATION, AFTER EACH MEAL PERIOD AND AT THE END OF THE DAY.

1. Remove the upper and lower spray arms and flush clean with water.
2. Remove the scrap screen making sure food soils do not fall into tank.
3. Flush and back flush with clean water.
4. Check the sump.
5. Check the pump intake strainer.
6. Do not scrub the interior with metal pad.
7. Check the heating element for lime buildup and remove. Do not use a metal pad.
8. Wipe the exterior of the machine with a soft cloth and mild detergent.
9. Leave the door open to aid in overnight drying.

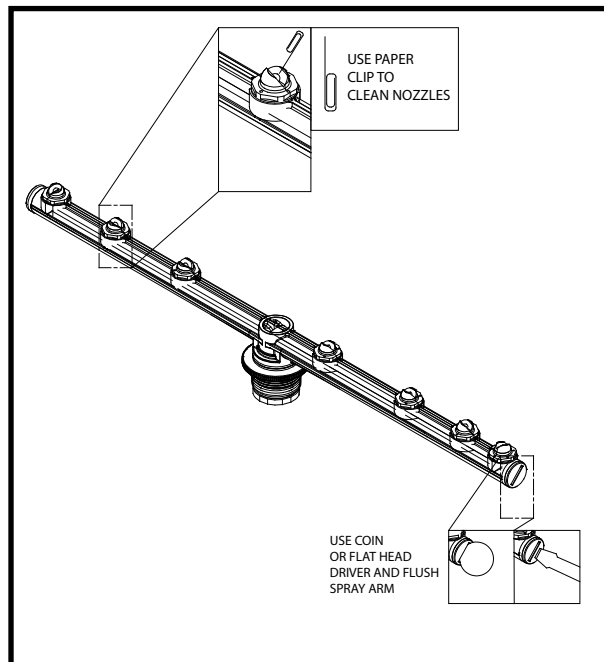
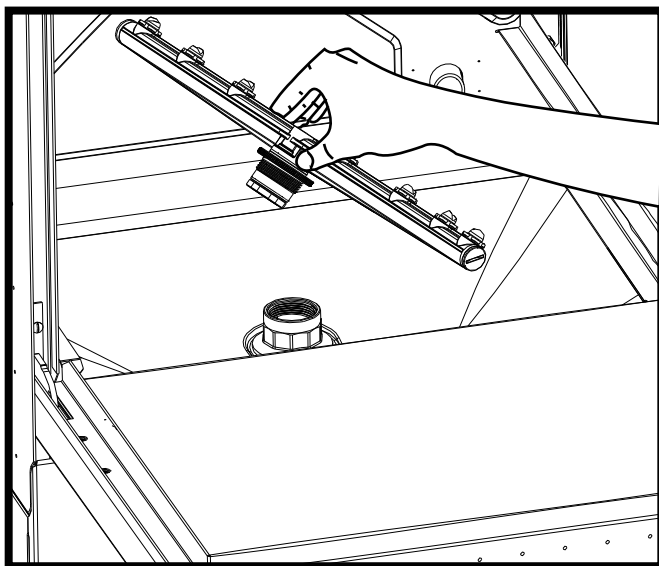
**DO NOT USE METALLIC SCRUB PADS TO CLEAN THE MACHINE.
DO NOT SPRAY THE EXTERIOR OF THE MACHINE WITH WATER.**

Cleaning the spray arms:

1. Unscrew the retaining screw from the upper and lower interchangeable spray arms.
2. Flush the spray arms clean in a sink. Be sure to flush the spray arm bearings.



USE GROVES TO LOSEN
HUB FOR CLEANING.

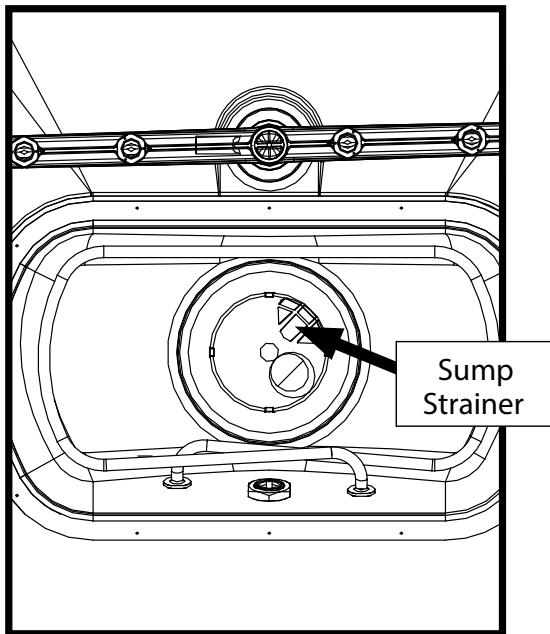
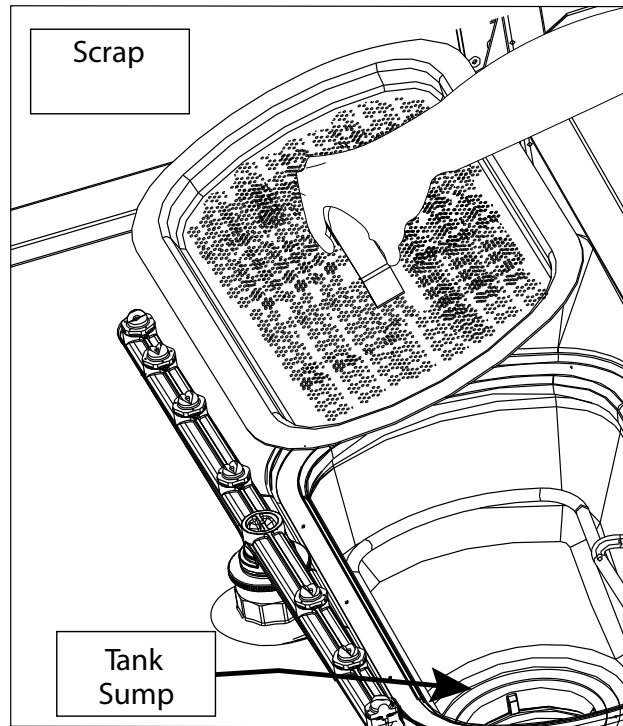


USE PAPER
CLIP TO
CLEAN NOZZLES

USE COIN
OR FLAT HEAD
DRIVER AND FLUSH
SPRAY ARM

Cleaning the Scrap Screen and Sump Strainer

1. Lift the scrap screen straight up and out of the machine to prevent food particles from falling into the tank sump.
2. Flush the scrap screen in a remote sink making sure to back-flush both side of the screen.
3. Wipe the tank sump of water and debris.
4. Carefully inspect the pump intake strainer . This strainer is not removeable but must be thoroughly cleaned before reinstalling the scrap screen.



! ATTENTION !
A CLOGGED OR RESTRICTED SUMP STRAINER WILL PREVENT THE PROPER WASHING, RINSING AND DRAINING OF THE MACHINE.

! ATTENTION !
WIPE THE EXTERIOR OF THE MACHINE WITH A SOFT CLOTH AND MILD DETERGENT . DO NOT SPRAY THE EXTERIOR WITH WATER OR BLEACH.
LEAVE THE DOOR OPEN TO AID IN OVERNIGHT DRYING

DELIMING

**WARNING:**

Death or serious injury may result when deliming solution is mixed with sodium hypochlorite (chlorine bleach) sanitizing agent. Mixing may cause hazardous gases to form. Deliming solution and other acids must never be mixed with chlorine, iodine, bromine, or fluorine.

Deliming solutions can cause severe irritation and possible chemical burns. Always wear protective clothing and goggles when handling chemicals.

Follow the steps below to delime the dishwasher.

1. Open the dishwasher door and remove the dish rack.
2. Remove the detergent and rinse-aid chemical supply tubing from their chemical supply containers.
3. Place the pick-up tubes in a container of hot water.
4. Push the dishwasher power switch to the ON position. The dishwasher will fill with water.
5. Press and hold the detergent prime switch UP to flush the detergent from the supply tubing. Release the switch.
6. Turn the dishwasher power switch to OFF/DRAIN to drain the wash tank. The WASH indicator light will go out in about 2 minutes.
7. Always wear eye protection, rubber gloves and protective clothing when handling chemicals.
8. Open the door and carefully add the deliming chemical to the wash tank in accordance with your chemical supplier's instructions. Be careful to avoid splashing.
9. Close the door.
10. Press the power switch to the ON position. The machine will fill with water.
11. Press and hold the Start button for one second to initiate an automatic cycle.
12. When the cycle has ended, open the door and check the deliming results. Clean the spray arm jets with a paper clip to ensure they are clear.
Repeat steps 6-11 if necessary. Push the power switch to OFF/Drain to drain the machine.
13. Push the power switch ON to refill the machine. Place an empty dish rack in the machine.
14. Run 4 empty cycles to ensure all deliming chemicals are flushed from the machine.
15. Return chemical supply tubing to their containers and prime the chemical lines.
16. Deliming is complete.

MAINTENANCE SCHEDULES

Daily Maintenance

1. Check all of the wash arm and rinse arm spray jets and clean as necessary.
2. Check scrap screen, and sump strainer and clean as necessary.
3. Make sure the water supply is on and the drain is not clogged.
4. Check the temperature display and ensure it is operating.
5. Make sure the dish racks are in good condition.
6. Check the chemical containers and refill as required.
7. Follow the cleaning procedures.

Weekly Maintenance

1. Perform Steps 1-6 in the Daily Maintenance.
2. Inspect water lines for leaks.
3. Check for water leaks underneath the dishwasher.
4. Make sure the floor drain and/or drain lines are unobstructed.
5. Make sure the dishwasher is level.
6. Clean accumulated lime deposits from the wash tank heating element.
7. Inspect the scrap screen and replace if damaged.
8. Check the spray arms and replace or repair if damaged.
9. Inspect machine interior for lime build-up (white haze) and delime if necessary. Consult the chemical supplier for deliming chemicals.

Semi-Annual Maintenance

1. Inspect the chemical dispensing pump tubing for cuts, kinks or bends and replace if necessary.
2. Flush chemical tubing with hot water:
Place an empty dish rack inside the dishwasher. Remove the pick-up tubes from the chemical containers. Place the tubes in a container of hot water and run the dishwasher for twenty cycles to thoroughly flush the lines. Check the lines to ensure they are unobstructed.
3. Disassemble the detergent pump and replace the squeeze tube. Reassemble.
4. Return the pick-up tubes into full chemical containers and return the machine to service.
5. Detergent squeeze tubes should be inspected or replaced every six months.

Yearly Maintenance

Contact your authorized service agent for a preventive maintenance inspection.

Lubrication

There are no lubrication points for this dishwasher.

This Page
Intentionally
Left Blank

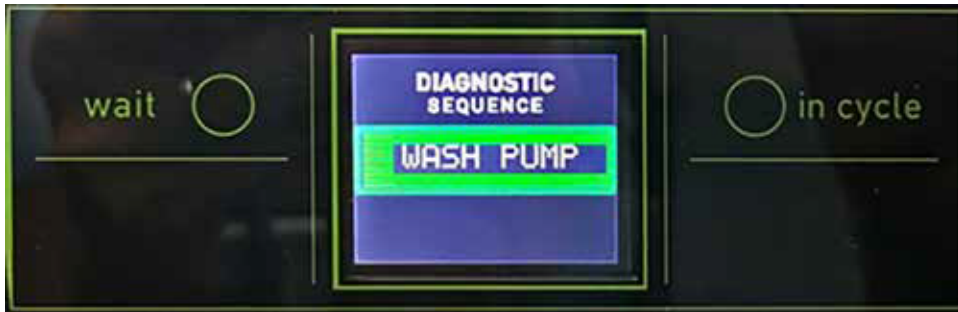
DIAGNOSTIC FEATURES

To access diagnostic features:

1. Turn power switch to "OFF".
2. Push start button 3 times.
3. Machine will now step through and operate the components as shown below.



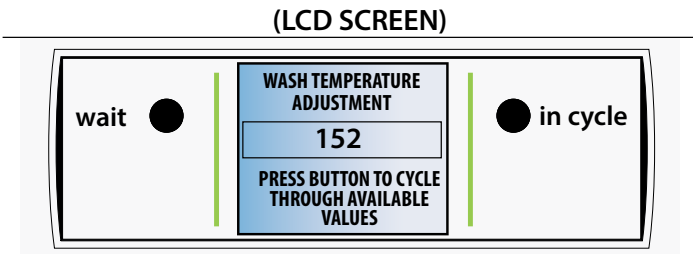
(continued on next page)



PARAMETER SETTINGS INSTRUCTIONS

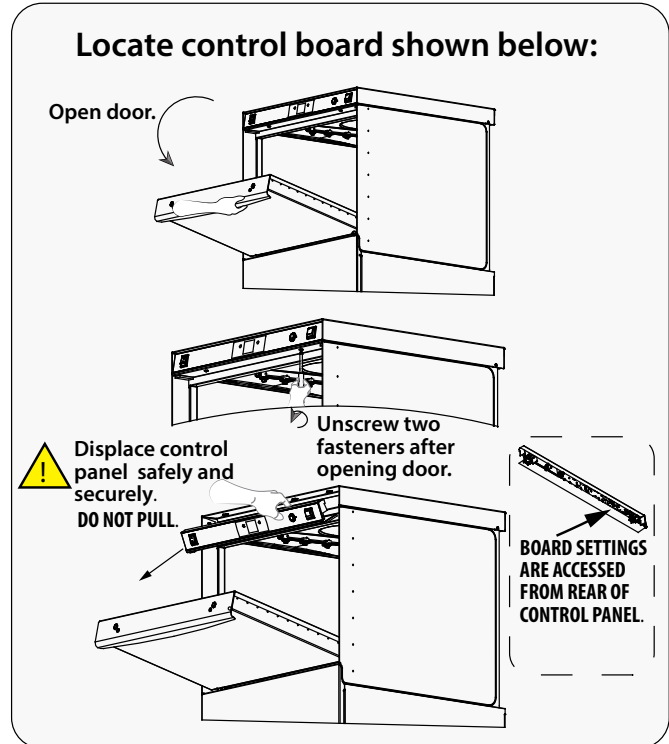
0514058 REV A -30-MAR-2021

! CAUTION: Parameter changes must be made by qualified personnel only.



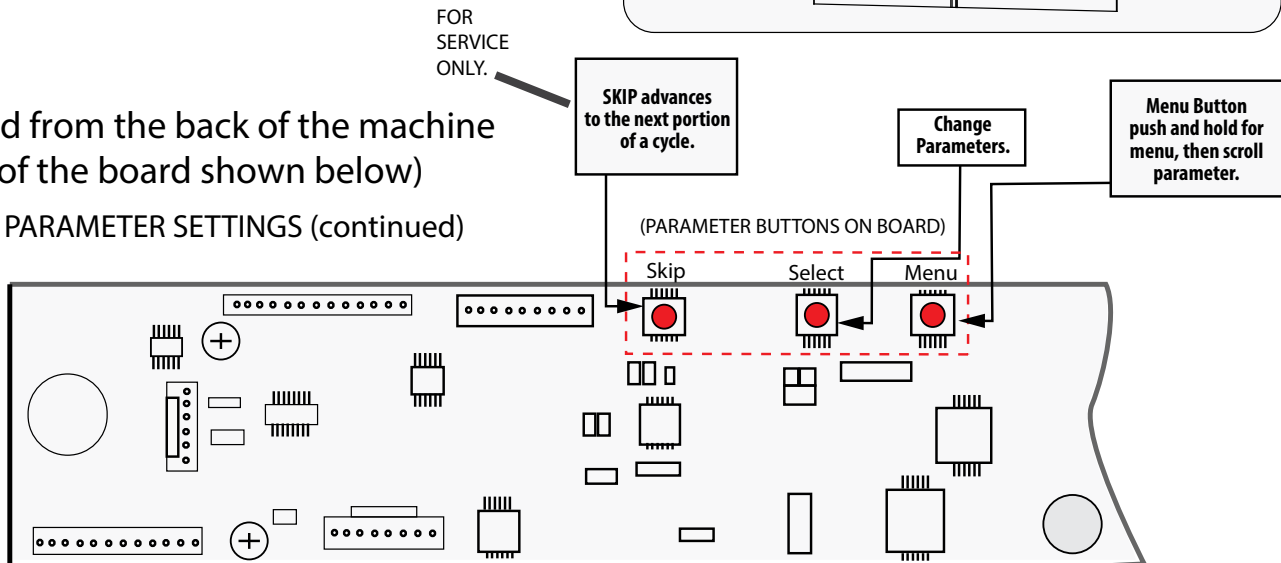
The following parameters may be changed depending on model:

1. DETERGENT CONCENTRATION
2. RINSE TEMP
3. WASH TEMP
4. RINSE AID
5. FILL TIME
6. UNITS (F-C)
7. LANGUAGE (English - French)



Viewed from the back of the machine
(Back of the board shown below)

PARAMETER SETTINGS (continued)



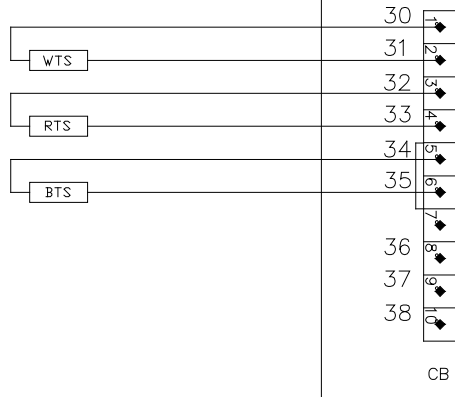
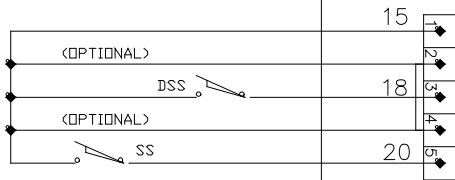
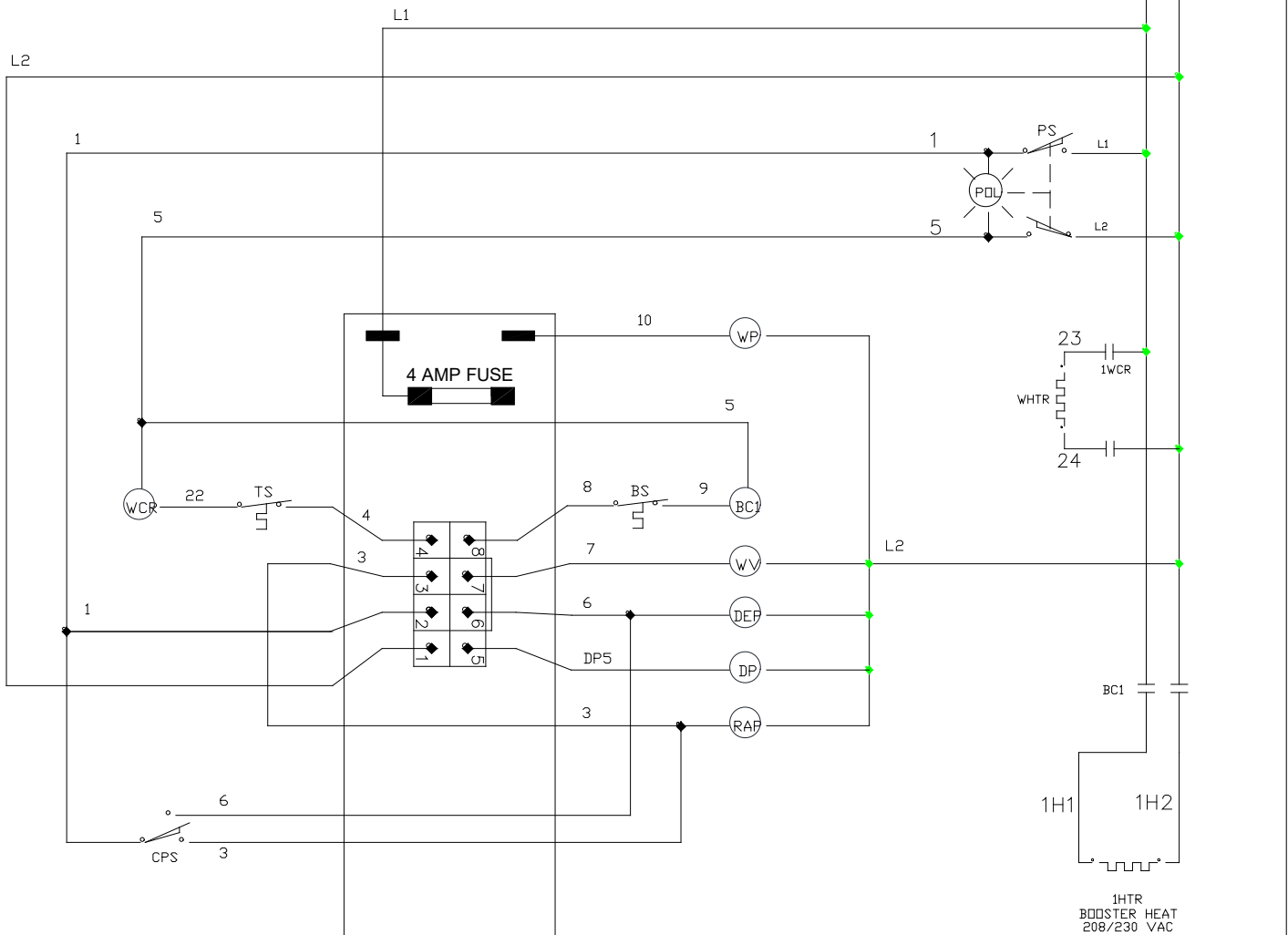
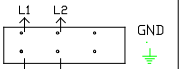
To Change Parameters:

1. Push and Hold the "Menu" button.
2. DET settings screen will appear first.
3. Push menu button to scroll through until desired parameter is reached.
4. Push "CHANGE" button until desired setting is reached.
5. Release and control will return to normal operation (approximately 3 seconds).

This Page
Intentionally
Left Blank

SINGLE PHASE

220V 50/60HZ

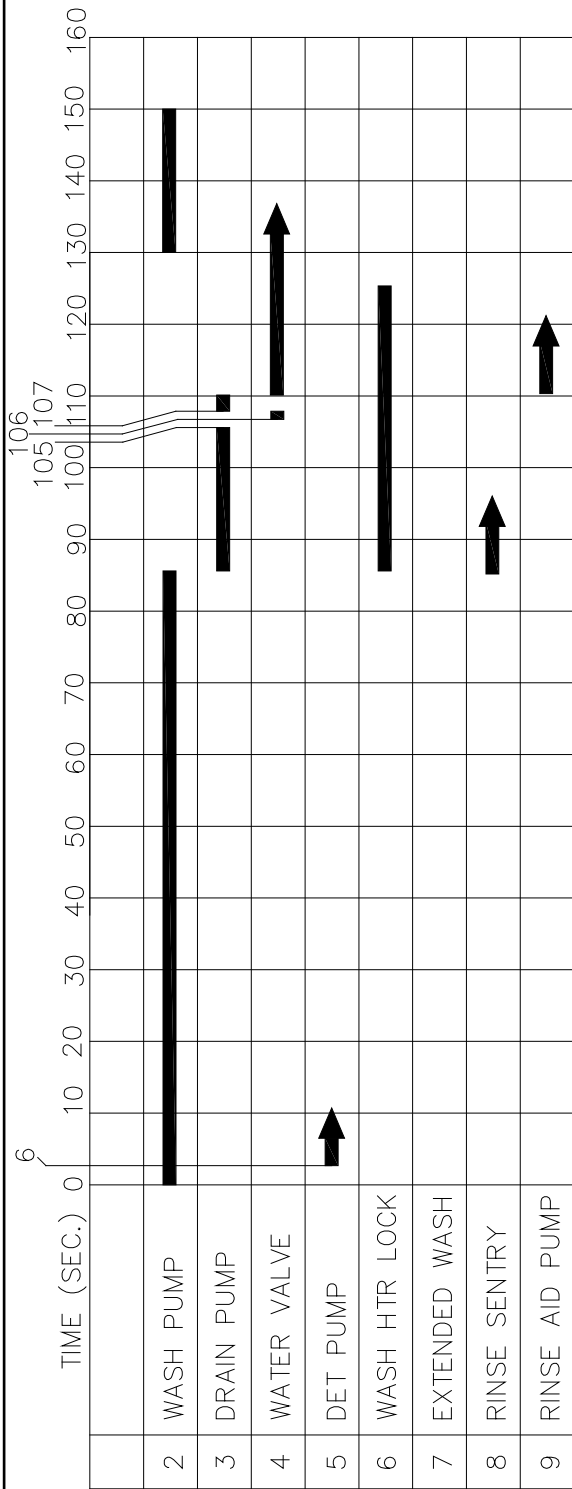


RAP	RINSE AID PUMP
BTS	BOOSTER TEMPERATURE SENSOR
RTS	RINSE TEMPERATURE SENSOR
WTS	WASH TEMPERATURE SENSOR
DP	DRAIN PUMP
CB	CONTROL BOARD
DSS	DOOR SAFETY SWITCH
WV	FILL/RINSE VALVE
GND	GROUND
DEP	DETERGENT PUMP
WCR	WASH HEATER RELAY
BC1	BOOSTER CONTACTOR
1HTR	BOOSTER HEATER
WP	WASH PUMP
SS	START SWITCH
CPS	CHEMICAL PRIME SWITCH
POL	POWER ON LIGHT
PS	POWER ON SWITCH
TS	TANK HEAT SAFETY THERMOSTAT
BS	BOOSTER SAFETY THERMOSTAT
WHTR	WASH TANK HEATER

DIAGRAM STATE
END OF CYCLE
POWER-OFF
DOOR-OPEN

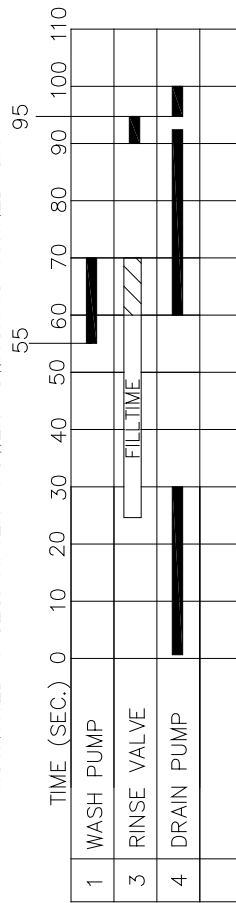
DATE	NUMBER/REV
4 NOV 2020	0514070

CMA H-1X



05CTIME

TIMING CHART FOR DRAIN CYCLE
ACTIVATED 4 SEC. AFTER "POWER" SWITCH IS TURNED OFF



REV	ECN	DESCRIPTION	ISSUED
A		MOYER DIEBEL LIMITED	
RELEASED TO PRODUCTION	BY	DATE	
6	RGH	DEC 2018	

TOLERANCE	HOLE DIMENSIONS			ISSUED
DECIMAL	A	F		
ANGLE	B	G	DR.	
SCALE 1:2	C	H	CH.	
FORM DIMENSIONS ARE FROM UNLESS OTHERWISE NOTED	D	J	RTG.	
	E			

TIMING CHART

DRAWING NO. 05CTIME