



MODEL H-1X PARTS MANUAL

Rev 1.00 10-15-21



CMA DISHMACHINES
12700 KNOTT AVENUE
GARDEN GROVE, CALIFORNIA 92841

800-854-6417

FAX 714-895-2141

www.cmadishmachines.com

[Buy Parts](#)

TABLE OF CONTENTS

MODEL CMA H-1X

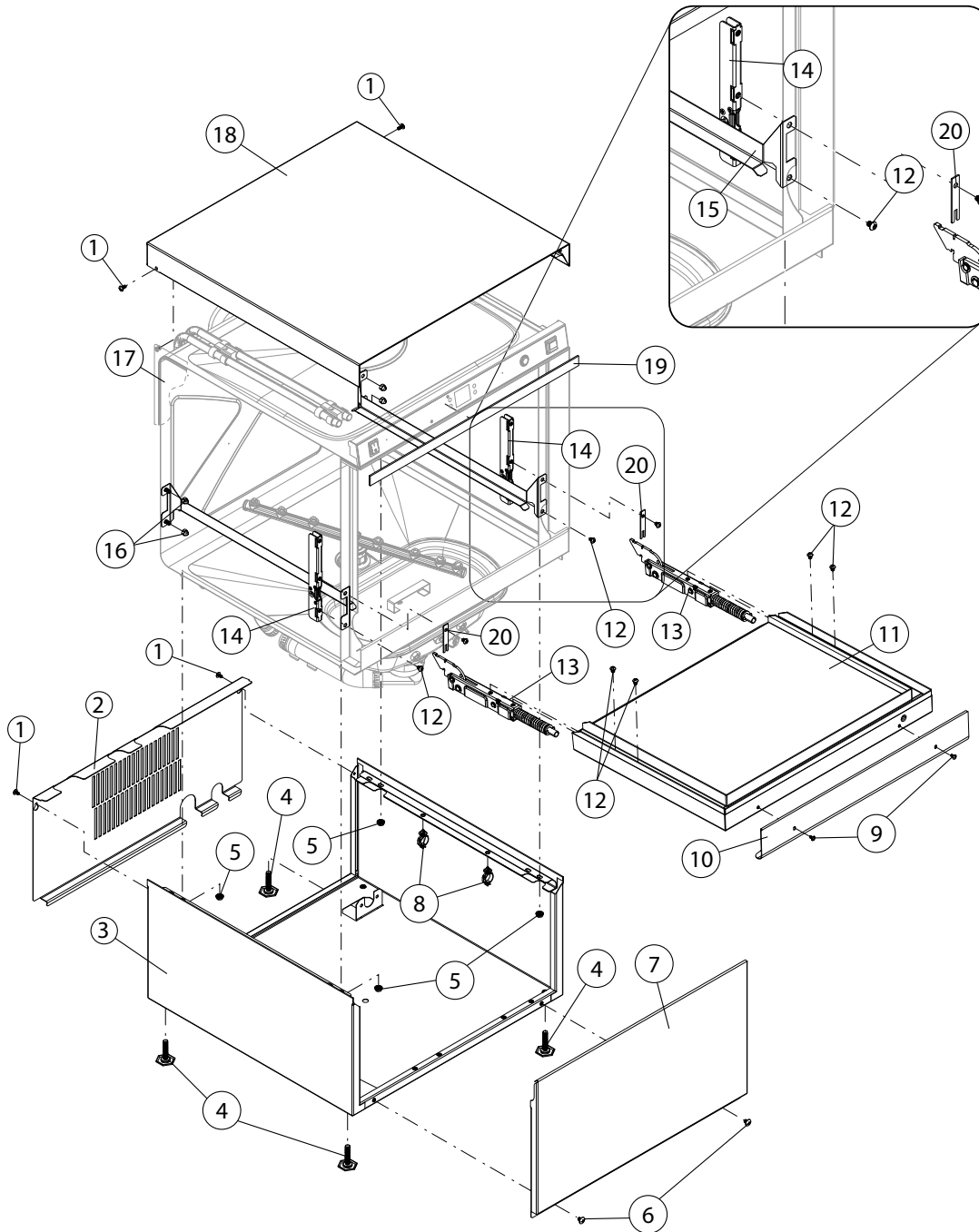
PARTS MANUAL

Panels and Door.....	4
Rear Plumbing.....	5
Sump	7
Booster.....	6
Power Wiring Block	8
Control Panel.....	9
Pump and Motor.....	10
Spray Arm Manifold.....	11
Spray Arm Assembly	12
Chemical Pumps.....	13 & 14
Optional Chemical Alarm.....	15
Dish Racks	16

Initial Parts Kit

P/N	DESCRIPTION	Qty
02107.65	Drain Ball Solenoid 120V	1
02107.73	Switch, Reed Aleph	1
02107.78	Heater, Wash Tank	1
02107.82	Thermistor, KΩ, 2 Wire Assm	1
02107.07	Heater, 5kW/220V	1
02107.08	Thermistor, Probe Assm	1
02103.19	Thermostat, High Limit 240f	1
02107.10	Thermistor, 10kΩ, 2-wire	1
02107.13	Valve, Water Inlet 220V H-1X Series	1
02107.06	Contact, 3 Pole 220VAC Coil	1
02107.15	Switch, Rocker DPST 250V Neon	1
02107.21	Kit, Control Board	1
02107.51	Contact, Switch Momentary (N.O.)	1
02103.10	Pump Motor Assm, 220V	1
02107.39	Spray Arm, H-1X Complete Assembly	1
02107.25	Nozzle 1, Spray Arm, H-1X	1
02107.26	Nozzle 2, Spray Arm, H-1X	1
02107.28	Nozzle 3, Spray Arm, H-1X	1
02107.30	Nozzle 4, Spray Arm, H-1X	1
02107.31	Nozzle 5, Spray Arm, H-1X	1
02107.33	End Cap, Spray Arm, H-1X	1
00415.20	Chemical Pump Assm 220V	1
02257.00	Squeeze Tube, Norprene 8"	1

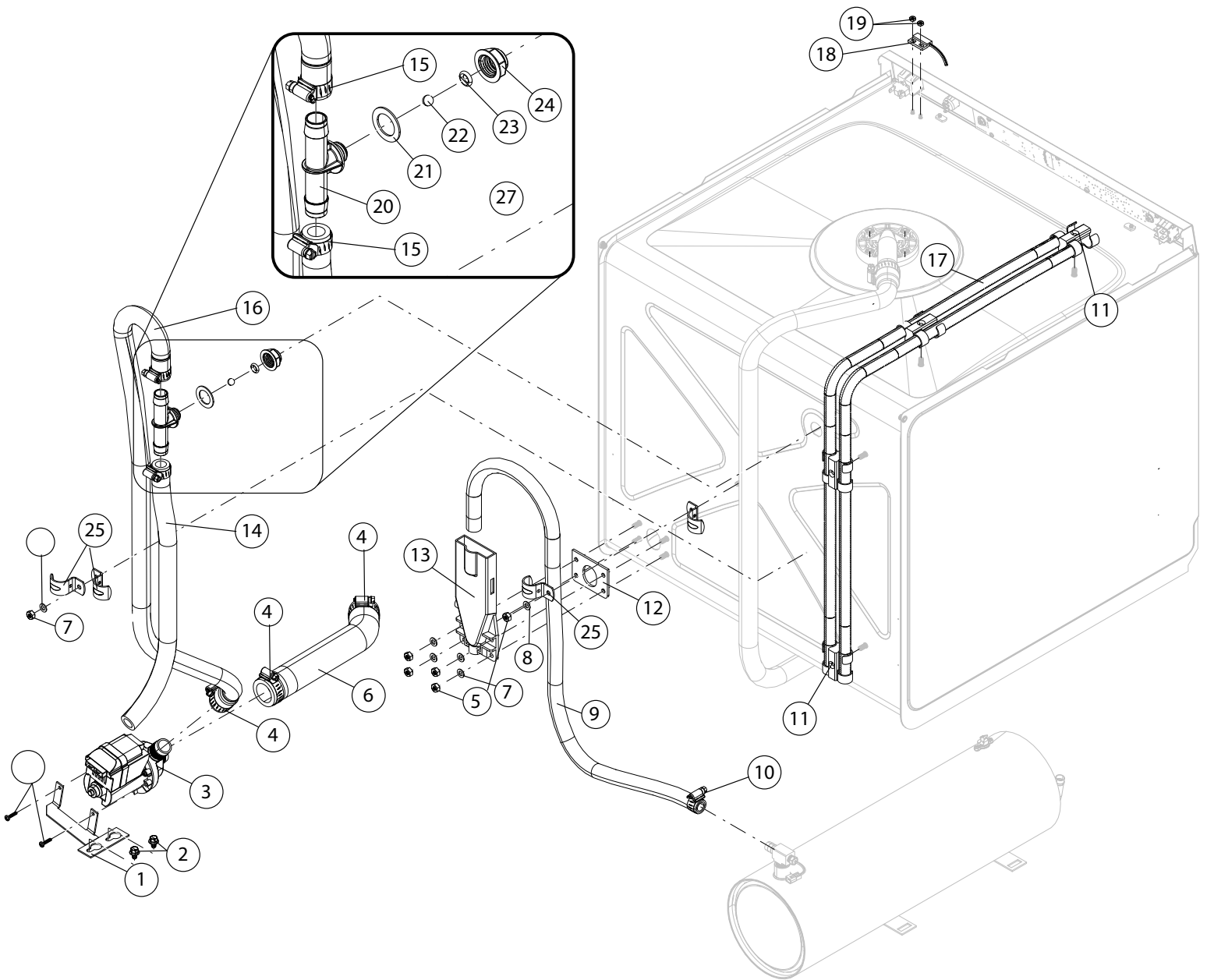
Panels and Door



ITEM NO.	NO. REQ'D	P/N	DESCRIPTION
1	4	00940.50	Screw, Truss Slot SS 10-32x3/8"
2	1	02107.46	Panel, Rear
3	1	02107.47	Weldment, Base
4	4	02104.67	Foot, Adjusting
5	4	02107.48	Nut 1/4-20 WH Serrated SS
6	2	02107.49	Screw, 1/4-20x5/8" Truss SS Phil
7	1	02107.50	Panel, Front
8	2	02107.51	Cord Clip 5/8" Push Mount
9	2	02107.52	Screw, 8-32x3/8" Truss HD
10	1	02107.53	Handle, Door
11	1	02107.54	Weldment, Door

ITEM NO.	NO. REQ'D	P/N	DESCRIPTION
12	4	02107.55	Screw, RH Hex SS 1/4-20x5/16"
13	2	02107.56	Hinge, Door
14	2	02107.57	Bracket, Door Hinge Receiver
15	2	02107.58	Rail, Tray
16	4	13822.00	Nut, Acorn 1/4-20
17	1	02107.59	Weldment, Wash Tank
18	1	02107.60	Panel, Top
19	1	02107.61	Gasket, Door 23-5/8" Lg Gray Silicon
20	2	02107.62	Plate, Locking Hinge
---	1	02107.63	Assm, Door Incl #9, 10 & 11
---	1	02107.64	Assm, Door Incl #9, 10, 11, 12, 13

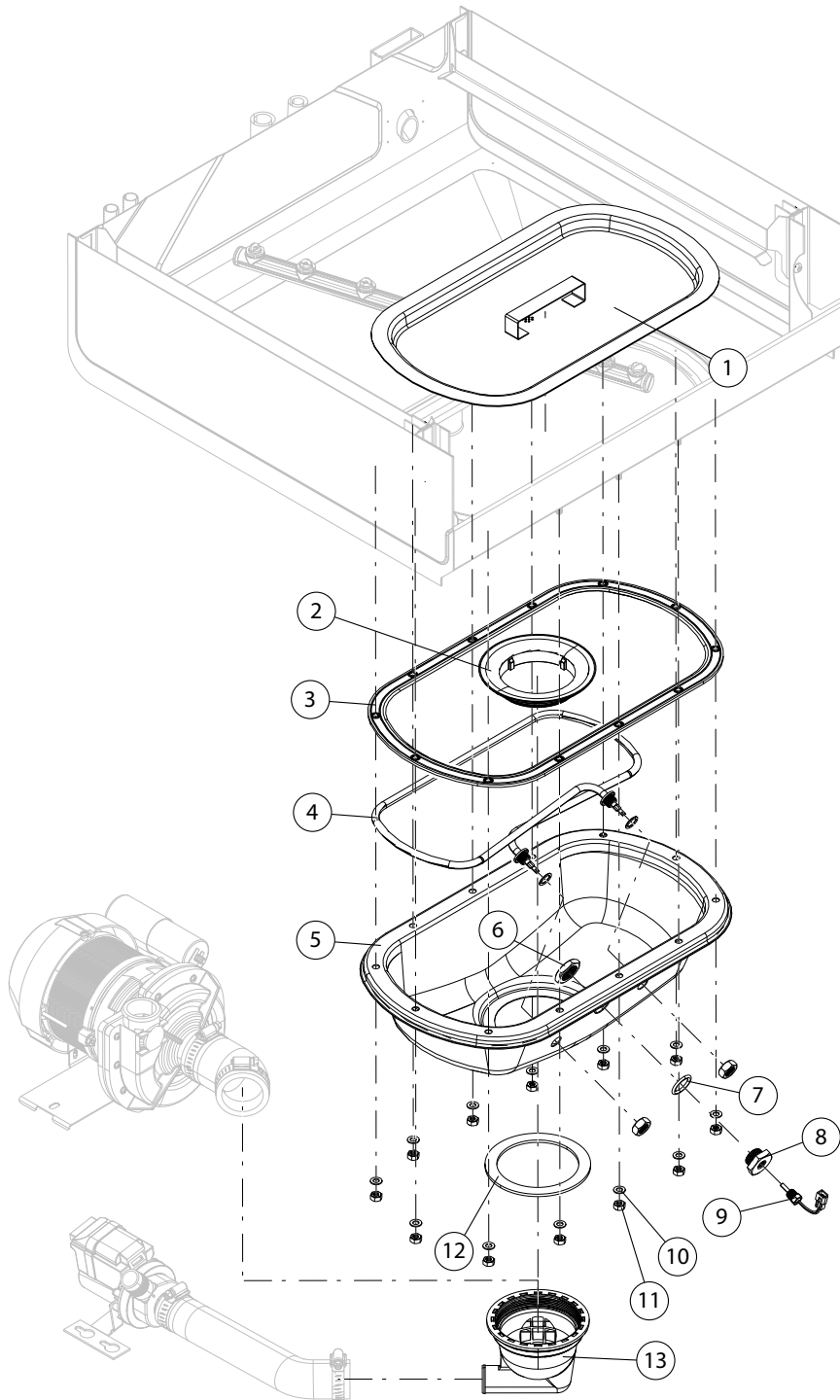
Rear Plumbing



ITEM NO.	NO. REQ'D	P/N	DESCRIPTION
1	1	02104.06	Bracket, Drain Pump
2	2	02103.16	Bolt, Hex Flange 1/4-20 x 3/8 SS
3	1	02107.65	Drain Pump
4	3	03101.00	Clamp, Hose Gear
5	5	00912.00	Nut, 1/4-20 W/ Nylon Insert SS
6	1	02107.66	Hose, Drain Pump
7	5	00924.00	1/4" SS Washer
8	2	02107.67	Washer 17/64 x 1/2 x 0.32 14S
9	A/R	02107.68	Hose, Rubber 1/2"ID x 0.84"OD
10	1	03101.47	Clamp, SS Gear Min 1/2"
11	2	N/A	Clamp, Double Conduit
12	1	02107.69	Gasket, Inlet Chute
13	1	02107.70	Chute, Inlet
14	A/R	02107.71	Hose, 5/8"ID x 1"OD PVC Braided

ITEM NO.	NO. REQ'D	P/N	DESCRIPTION
15	2	03101.00	Clamp, Hose Gear SS 3/4-1 1/2" #16
16	1	02106.19	Drain Hose
17	A/R	02107.72	Conduit 1/2"
18	1	02107.73	Switch, Reed Aleph
19	2	02103.27	Nut, Grip 6-32 W/ Nylon Insert
20	1	N/A	Anti Siphon Body
21	1	N/A	Washer, Silicon 7/8"IDx1-5/16ODx1/16
22	1	N/A	Ball 3/8" Diameter SS
23	1	N/A	O-Ring 5/16"ID x 9/16"OD x 1/8"
24	1	N/A	Anti Siphon Valve Nut
25	3	00725.40	Clamp, EMT 1/2"
26	2	02107.74	Screw, #8x1/2" Self Tapping
27	1	02106.50	Anti Siphon Valve Assm

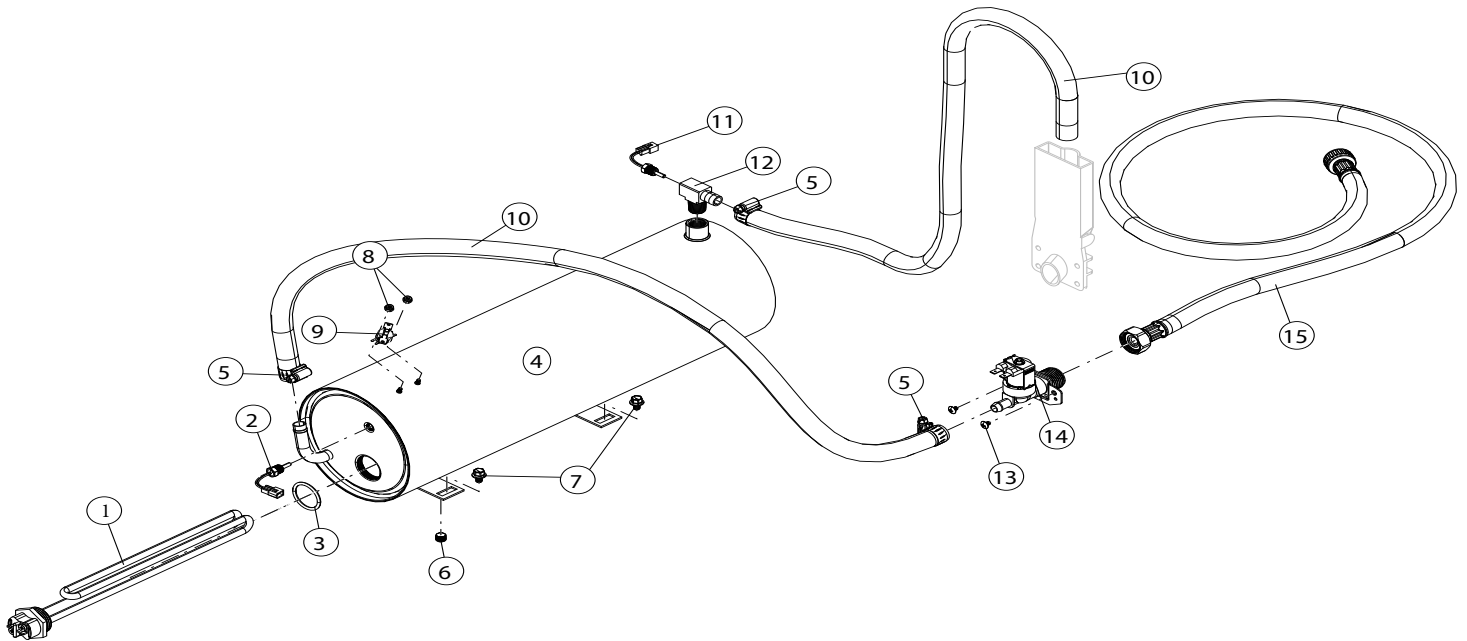
Sump



ITEM NO.	NO. REQ'D	P/N	DESCRIPTION
1	1	02107.75	Scrap Screen
2	1	02107.76	Pump Suction Ring
3	1	02107.77	Gasket, Upper Sump
4	1	02107.78	Heater, Wash Tank
5	1	02107.79	Sump Bowl
6	1	02107.80	Locknut 1/2" NPT NP
7	1	02104.21	O-Ring

ITEM NO.	NO. REQ'D	P/N	DESCRIPTION
8	1	02107.81	Adaptor, Thermistor
9	1	02107.82	Thermistor, KΩ, 2 Wire Assm
10	12	02107.83	Washer 17/64"x1/2"x0.32 14S
11	12	00912.00	Nut, 1/4-20 W/Nylon Insert SS
12	1	02107.84	Gasket, Lower Sump
13	1	02107.85	Pump Suction Elbow

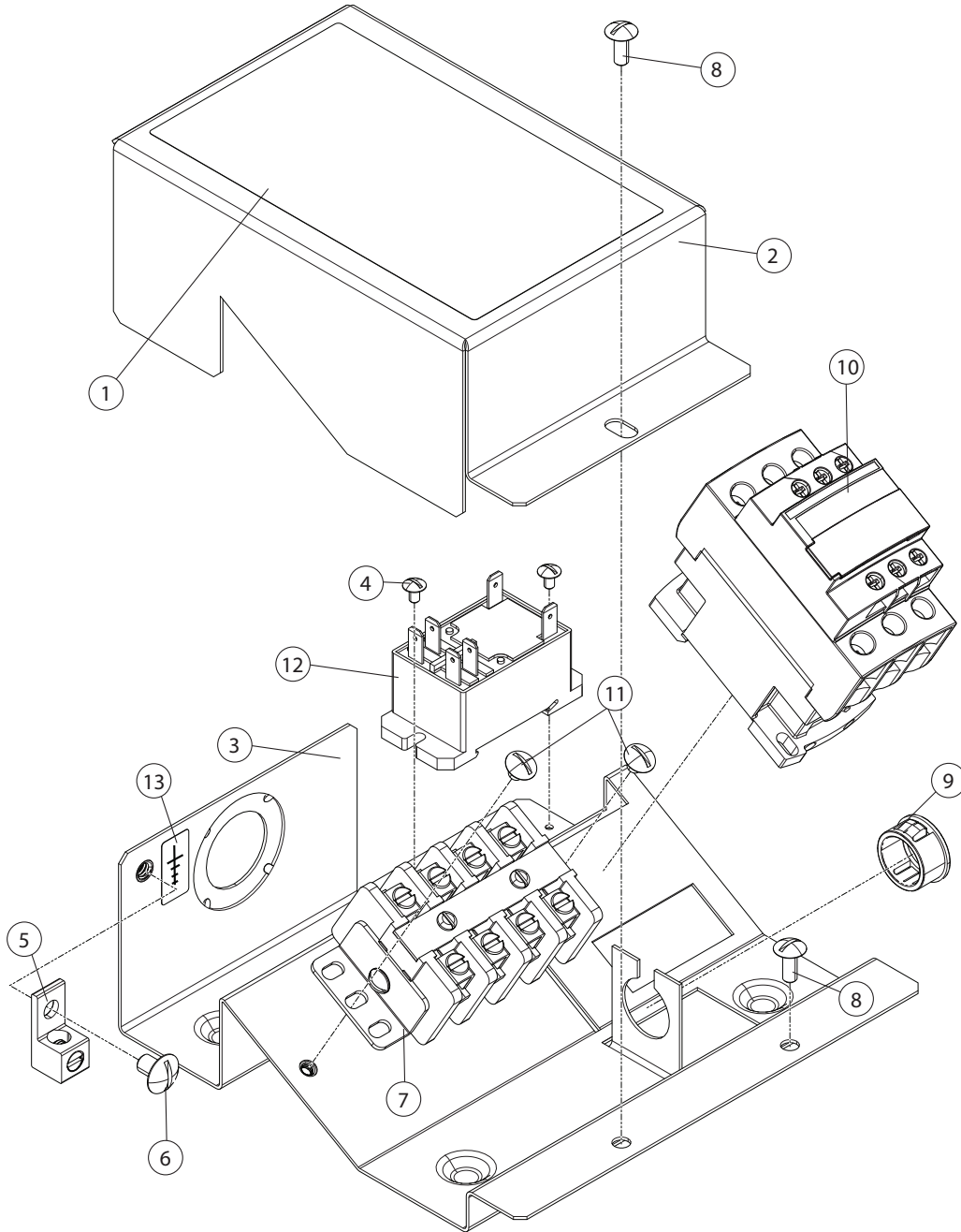
Booster



ITEM NO.	NO. REQ'D	P/N	DESCRIPTION
1	1	02107.07	Heater, 5kW/220V
2	1	02107.08	Thermistor, Probe ASSM
3	1	02103.14	Gasket
4	1	02106.01	Booster, Welded ASSM
5	1	02103.21	Clamp, SS Gear-Min. 1/2"
6	1	02107.09	Plug, 1/8 Hex Countersunk SS
7	2	02103.16	Bolt, Hex Flange, 1/4-20x3/8" SS
8	2	00965.00	Nut, Grip 6-32 W/Nylon Insert SS

ITEM NO.	NO. REQ'D	P/N	DESCRIPTION
9	1	02103.19	Thermostat, High Limit 240f
10	A/R	03107.50	Hose, Rubber 1/2"x0.84" OD
11	2	02107.10	Thermistor, 10kΩ, 2-wire
12	1	02107.11	Tee, Rinse
13	2	02107.12	Screw, M4x12MM SS Extra Wide Phil.
14	1	02107.13	Valve, Water Inlet 220V H-1X Series
15	1	N/A	Hose, 1/2"

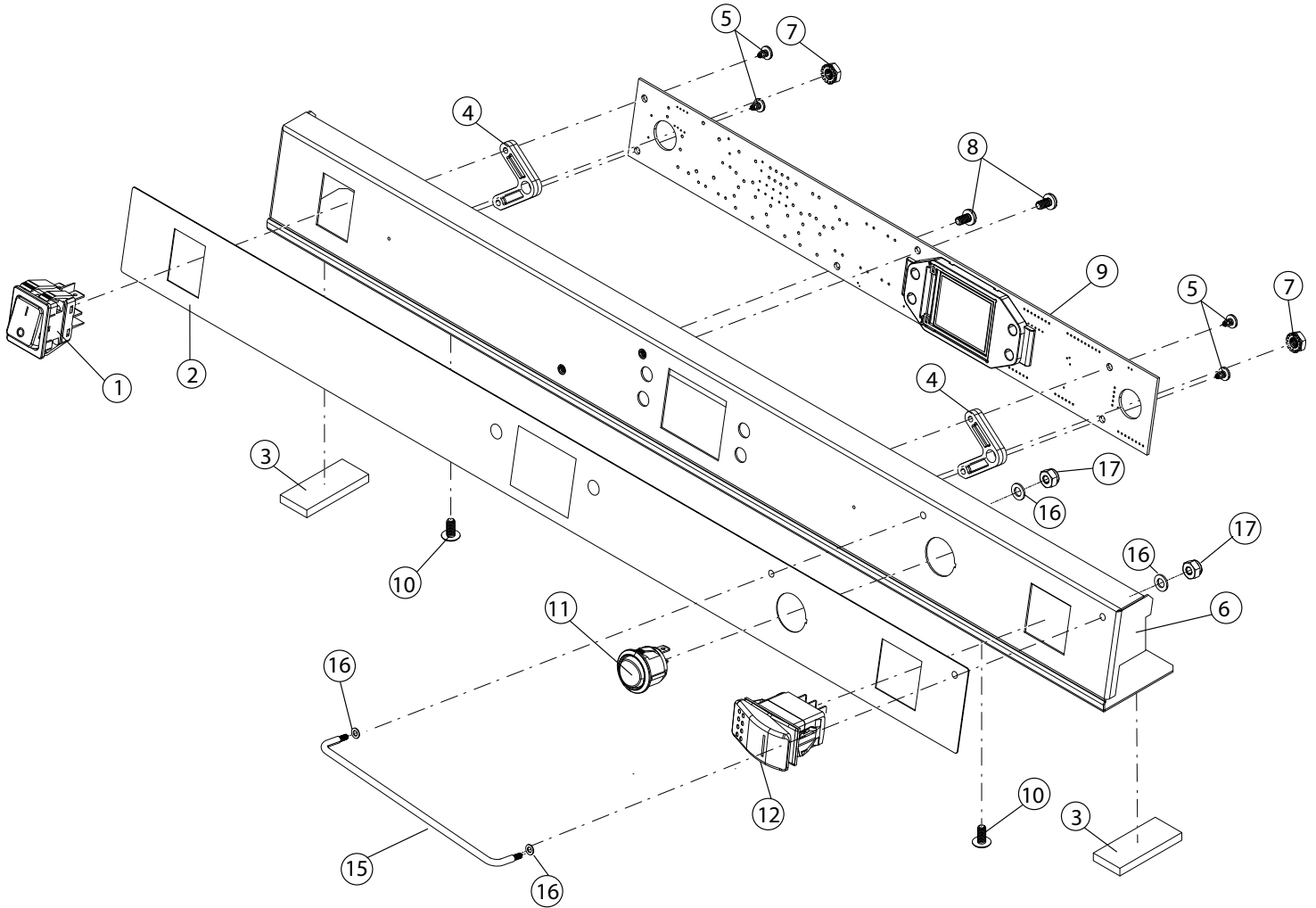
Power Wiring Box



ITEM NO.	NO. REQ'D	P/N	DESCRIPTION
1	1	02106.02	Label, Connection Box
2	1	02106.03	Cover, Box Wiring
3	1	02106.04	Box, Wiring
4	2	00421.51	Screw, 6-32 X 1/4"
5	1	13426.50	Lug, Ground
6	1	00905.82	Screw, 1/4-20 X 3/8"
7	1	02106.05	Block, Terminal 4-Pole

ITEM NO.	NO. REQ'D	P/N	DESCRIPTION
8	2	00940.50	Screw, 10-32 X 3/8" Truss Head
9	1	02106.15	Bushing, Strain Relief, Small
10	1	02107.06	Contactora, 3-Pole 220VAC Coil
11	2	00940.00	Screw, 10-32 X 1/4"
12	1	02107.86	Relay, DPDT, 30A, 220VAC Coil
13	1	43078.01	Label, Ground

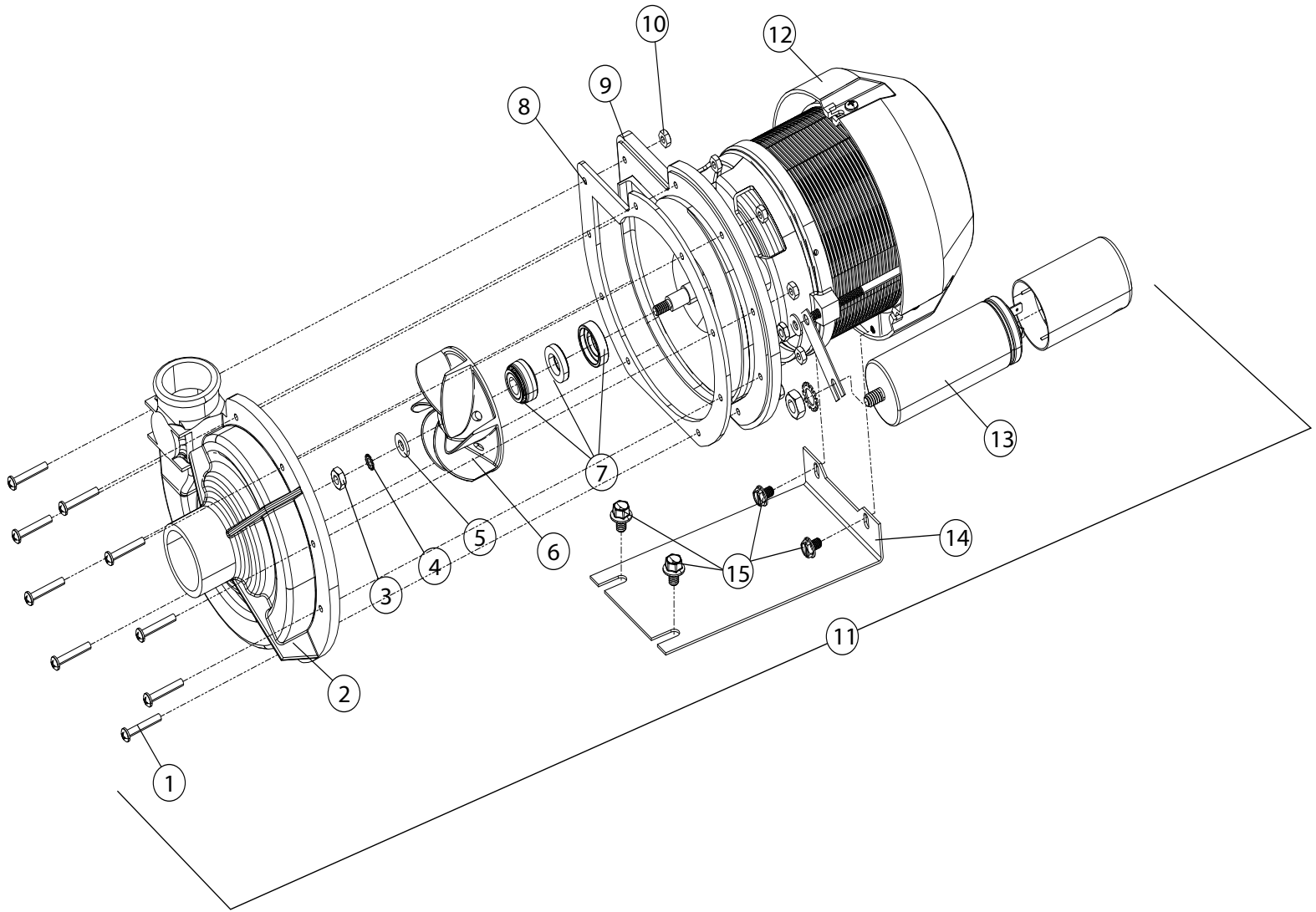
Control Panel



ITEM NO.	NO. REQ'D	P/N	DESCRIPTION
1	1	02107.15	Switch, Rocker DPST 250V Neon
2	2	02107.16	Label, Facia H-1X
3	2	02103.58	Gasket, Steam
4	2	02107.17	Standoff, LED Display Board
5	4	02104.91	Screw, 6-18x1/4" Panhead Phil SS
6	1	02107.19	Panel, Facia H-1X
7	2	02104.68	Nut, 10-32
8	2	02107.20	Screw, #8 x 3/8"
9	1	02107.21	Kit, Control Board
10	1	00911.10	Screw, 8-32x3/8 Truss HD

ITEM NO.	NO. REQ'D	P/N	DESCRIPTION
11	1	02103.57	Prime Switch
12	1	02103.51	Contact, Switch Momentary (N.O.)
13	1	02103.52	Housing, Push Button Switch
14	1	02103.53	Push Button, Green
15	1	03485.00	Switch Guard
16	4	04086.00	#10 Washer
17	2	03801.00	10-32 Lock Nut
---	1	02107.22	Harness, Switch - NOT SHOWN
---	1	02107.23	Harness, Sensor - NOT SHOWN
---	1	02107.24	Harness, Main - NOT SHOWN

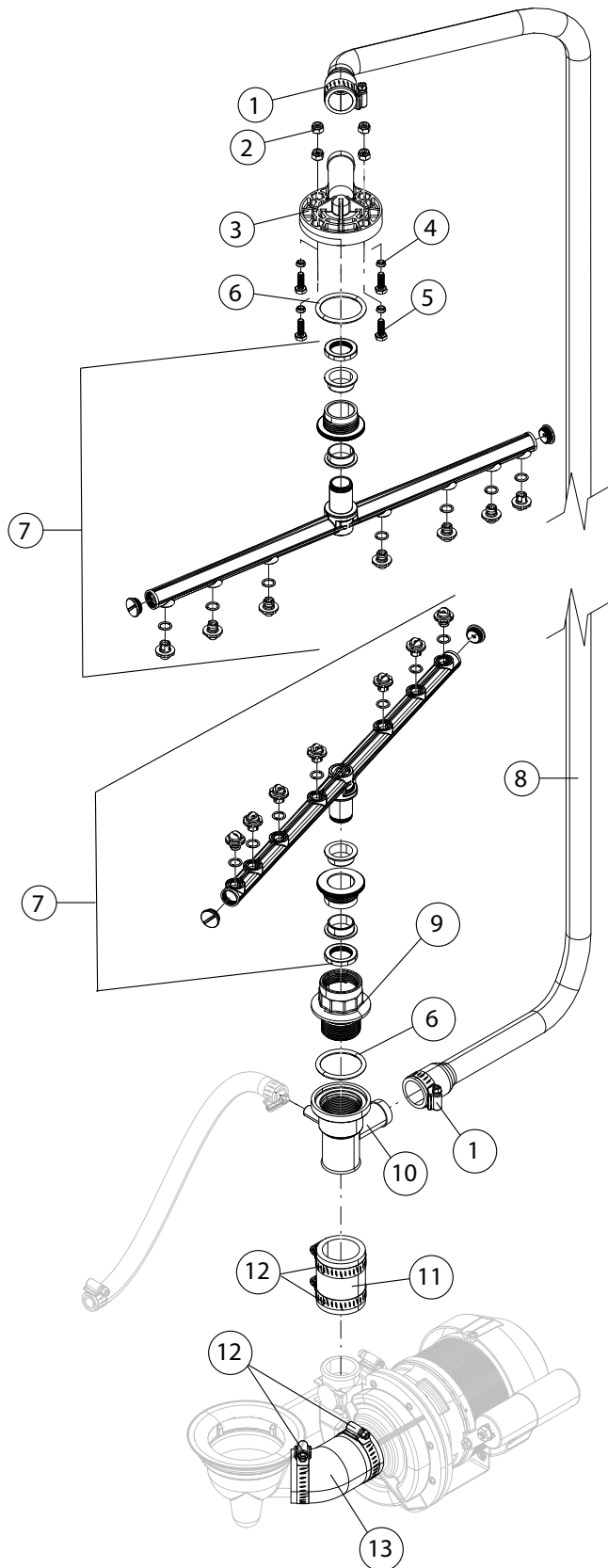
Pump and Motor



ITEM NO.	NO. REQ'D	P/N	DESCRIPTION
1	9	02103.01	Screw, M4, Phil, Pan Head
2	1	02103.02	Impeller Housing Cover
3	1	02107.01	Nut, M6 (Left-hand thread)
4	1	02103.04	1/4" Lock Washer
5	1	02103.05	17/64" Plain Washer
6	1	02107.02	Impeller
7	1	02103.07	Pump Seal
8	1	02103.30	Pump Gasket
9	1	02107.03	Pump Backing Plate

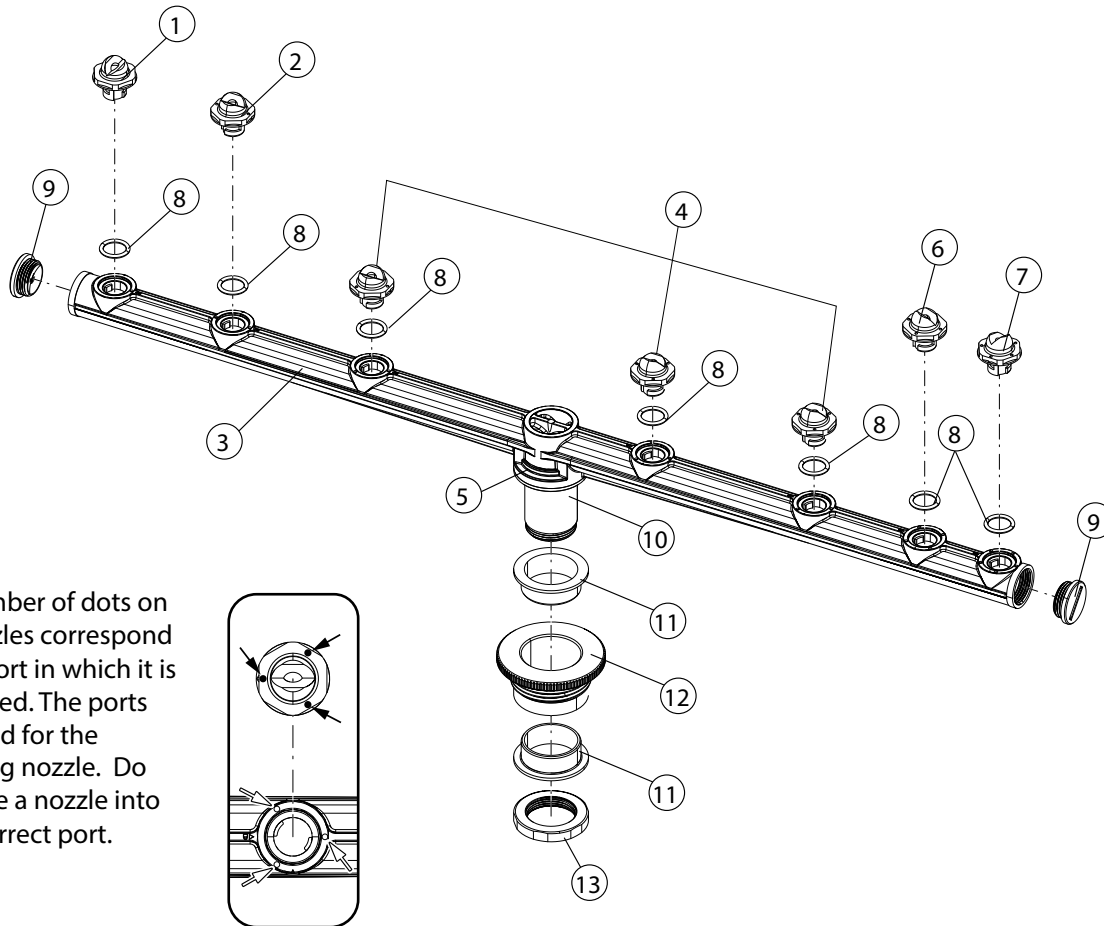
ITEM NO.	NO. REQ'D	P/N	DESCRIPTION
10	9	02103.08	Nut, M4
11	1	02103.10	Pump Motor Assm, 220V
12	1	02103.37	Motor Fan Cover
13	1	02103.11	Capacitor, 16 μ F
14	1	02107.04	Wash Pump Bracket
15	2	02107.05	Bolt, Hex Flange 1/4-20 X 3/8" SST
***		02103.10	Motor unavailable as separate part

Spray Arm Manifold

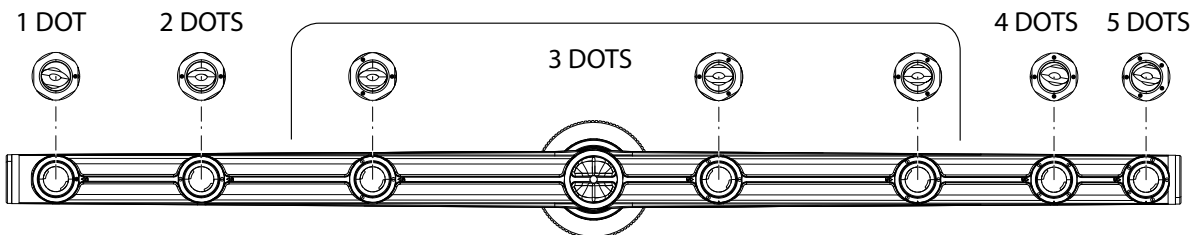


ITEM NO.	NO. REQ'D	P/N	DESCRIPTION
1	2	03101.00	Clamp, Hose Gear Hose 1-1/2" SS
2	2	00912.00	Nut, Hex SS 1/4-20 Nylon Insert
3	1	02107.40	Hub, Upper Spray Arm
4	4	02103.88	Washer, Nylite
5	4	00914.00	Bolt 1/4-20 x 3/4" Hex Head
6	1	02103.83	O-Ring, 2-1/8"OD x 1-3/4"ID x 3/16"
7	2	02107.39	Spray Arm, H-1X Complete Assembly
8	1	02103.81	Hose, Upper Spray Arm
9	1	02107.42	Hub, Lower Spray Arm
10	1	02107.43	Manifold, Pump
11	1	02107.44	Hose, Pump Discharge
12	4	02104.10	Clamp, Hose Gear 1x13/16" - 2x3/4" SS
13	1	02107.45	Hose, Pump Suction

Spray Arm Assembly



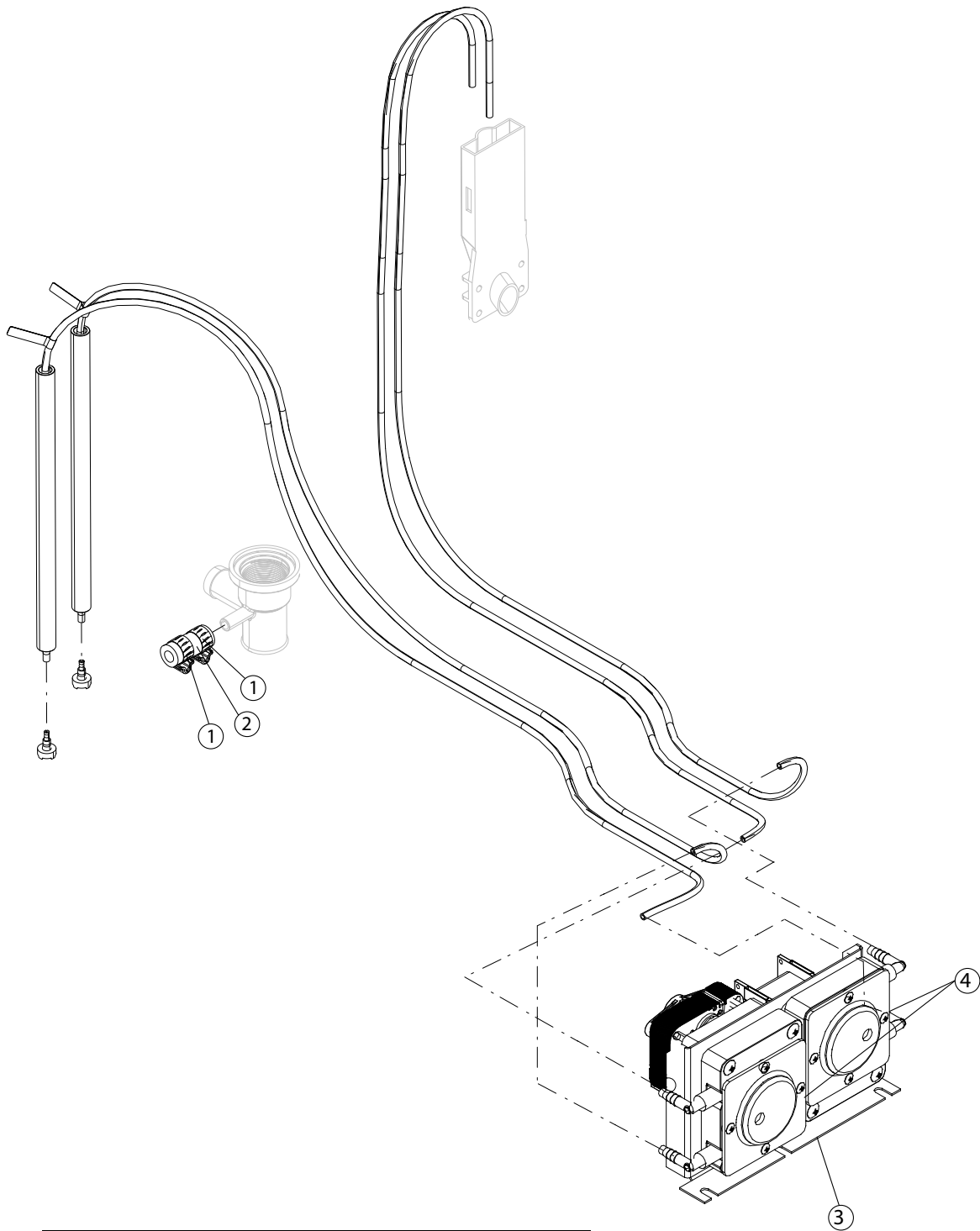
The number of dots on the nozzles correspond to the port in which it is assembled. The ports are keyed for the matching nozzle. Do not force a nozzle into the incorrect port.



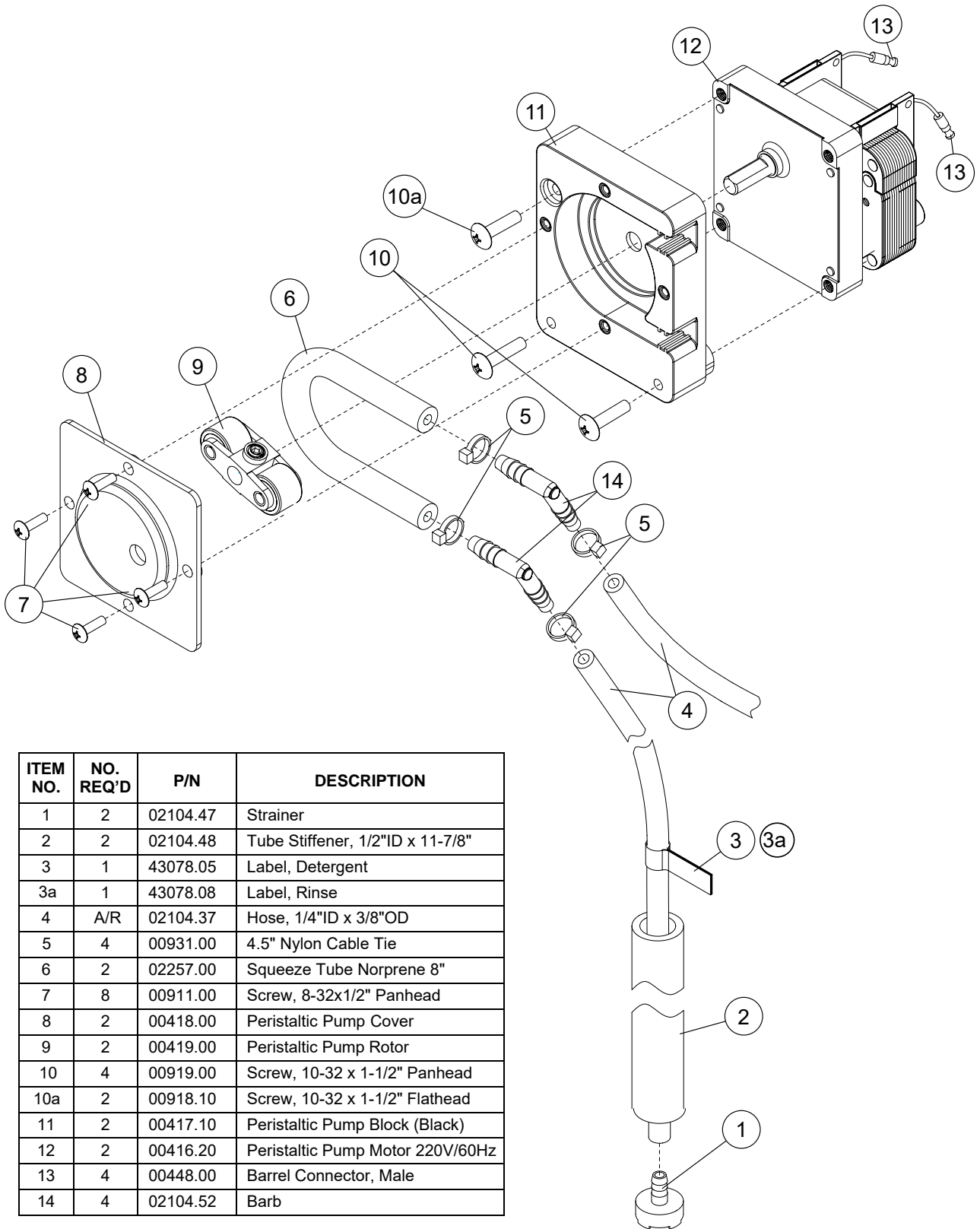
ITEM NO.	NO. REQ'D	P/N	DESCRIPTION
1	1	02107.25	Nozzle 1, Spray Arm, H-1X
2	1	02107.26	Nozzle 2, Spray Arm, H-1X
3	2	02107.27	Spray Arm, H-1X
4	1	02107.28	Nozzle 3, Spray Arm, H-1X
5	4	02107.29	Washer, Bearing Spray Arm, H-1X
6	4	02107.30	Nozzle 4, Spray Arm, H-1X
7	1	02107.31	Nozzle 5, Spray Arm, H-1X
8	8	02107.32	O-Ring, Nozzle Spray Arm, H-1X

ITEM NO.	NO. REQ'D	P/N	DESCRIPTION
9	16	02107.33	End Cap, Spray Arm, H-1X
10	2	02107.34	Shaft, Spray Arm, H-1X
11	4	02107.35	Bearing, Spray Arm, H-1X
12	2	02107.36	Bearing, Housing Spray Arm, H-1X
13	4	02107.37	Nut, Bearing Spray Arm, H-1X
---	--	02107.38	H-1X Nozzle Kit (Incl #1, 2, 4 & 6-9)
---	--	02107.39	Assm, Spray Arm, H-1X Complete

Chemical Pumps



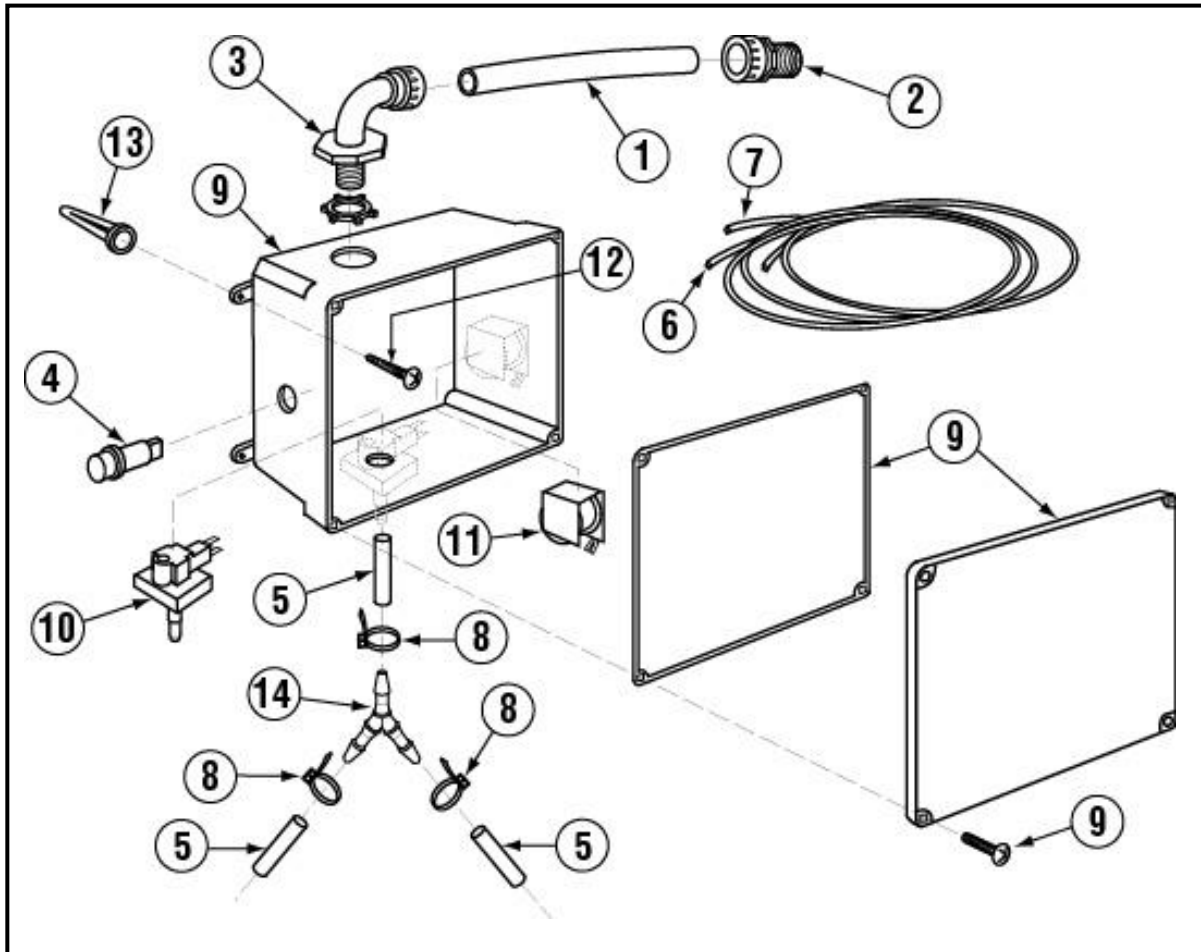
ITEM NO.	NO. REQ'D	P/N	DESCRIPTION
1	2	02103.21	Clamp, SS Gear-Min 1/2"
2	A/R	03107.50	Hose, Rubber 1/2"x0.84" OD Rinse
3	1	02107.14	Bracket, Chemical Pump, H-1X
4	2	00415.20	Chemical Pump Assm, 220V



ITEM NO.	NO. REQ'D	P/N	DESCRIPTION
1	2	02104.47	Strainer
2	2	02104.48	Tube Stiffener, 1/2"ID x 11-7/8"
3	1	43078.05	Label, Detergent
3a	1	43078.08	Label, Rinse
4	A/R	02104.37	Hose, 1/4"ID x 3/8"OD
5	4	00931.00	4.5" Nylon Cable Tie
6	2	02257.00	Squeeze Tube Norprene 8"
7	8	00911.00	Screw, 8-32x1/2" Panhead
8	2	00418.00	Peristaltic Pump Cover
9	2	00419.00	Peristaltic Pump Rotor
10	4	00919.00	Screw, 10-32 x 1-1/2" Panhead
10a	2	00918.10	Screw, 10-32 x 1-1/2" Flathead
11	2	00417.10	Peristaltic Pump Block (Black)
12	2	00416.20	Peristaltic Pump Motor 220V/60Hz
13	4	00448.00	Barrel Connector, Male
14	4	02104.52	Barb

Optional Chemical Alarm

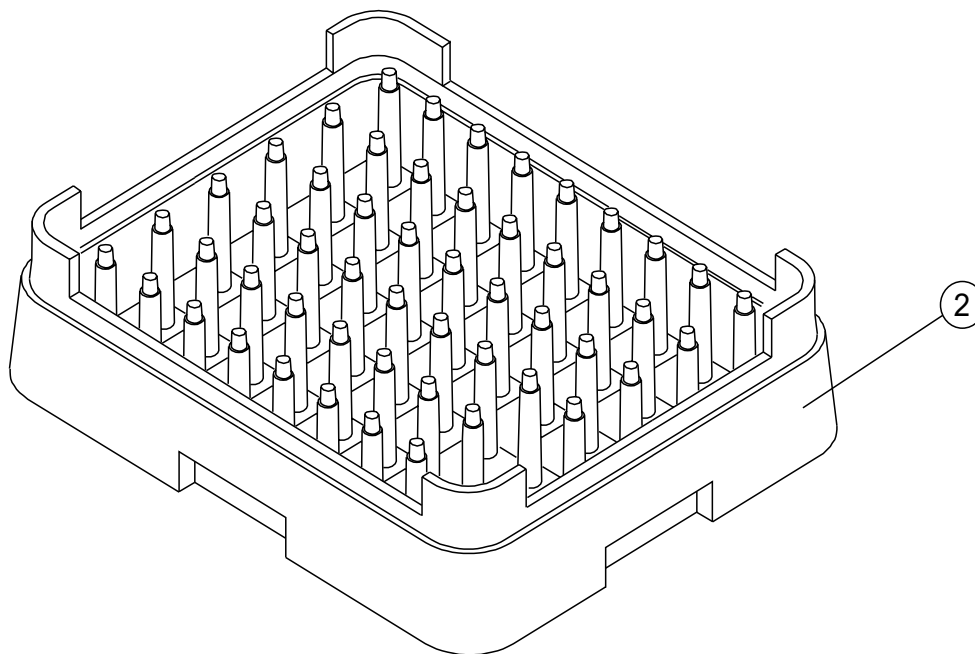
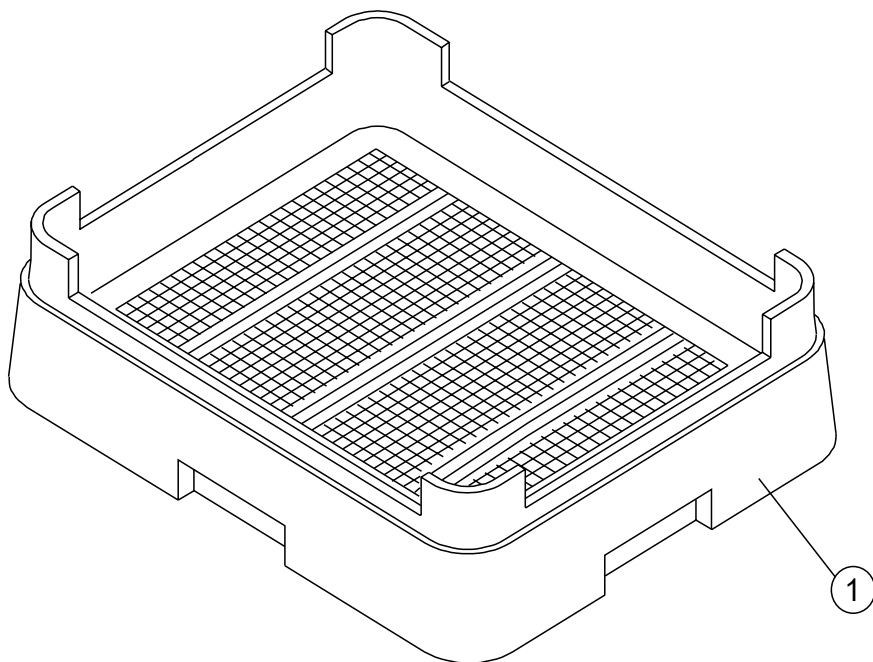
Part Number 12508.00



ITEM NO.	NO. REQ'D	P/N	DESCRIPTION
1	3	00400.00	Conduit, 3/8" Sealtite
2	1	00401.00	S.T. 3/8" Straight Connector
3	1	00402.00	S.T. 90 Degree 3/8" Connector
4	1	00406.00	Control Box Light, .5" Diameter, Red
5	1	00435.00	Squeeze Tube, 8"
6	1	00521.00	Wire, 18 Gauge, Orange, 6 ft.
7	1	00531.00	Wire, 18 Gauge, White, 6 ft.

ITEM NO.	NO. REQ'D	P/N	DESCRIPTION
8	5	00931.00	Wire Tie, Small
9	1	12510.00	Sanitizer Alarm Box Assembly
10	1	12511.00	Sanitizer Low Level Vacuum Switch
11	1	12512.00	Sanitizer Alarm Buzzer, 120 Volts
12	4	40126.10	#10 x 3/4" Sheet metal Screw
13	4	40127.00	Wall Anchors
14	1	00426.00	Y Hose Connector, 3/16"

Dish Racks



ITEM NO.	NO. REQ'D	P/N	DESCRIPTION
1	1	12960.01	Dish Rack, Flat
2	1	12960.03	Dish Rack, Peg