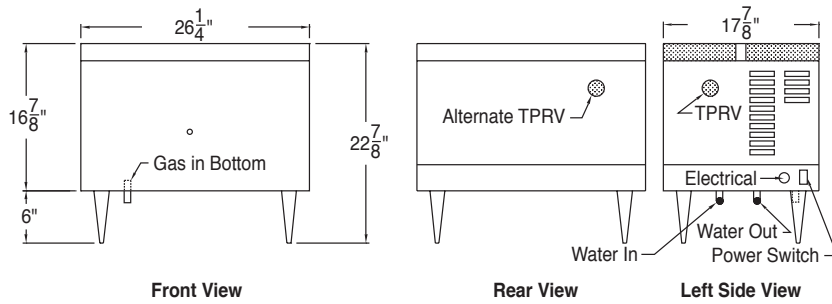


Hubbell PT Series Gas Booster Heaters

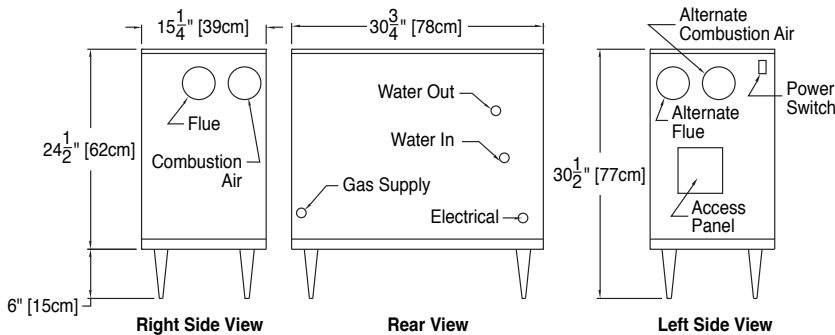
PT56



Net Weight Dry	96.4 Lbs
Dimensions	26.19" Wide x 17.81" Deep x 22.87" High (including legs) (67 x 45 x 58cm)

Capacity					
Input - 55,000 Btu/Hour, Output - 44,000 Btu/Hour = 12.8kW					
Recovery Rates at °F Temperature Rise					
°F Rise	30°FΔ	40°FΔ	50°FΔ	60°FΔ	70°FΔ
GPH Recovery	176	132	105	88	75
Fuel/Inlet Gas Pressure					
Gas Type		Inches - Water Column			
Natural LP/Propane		10.5 Maximum, 7.0 Minimum 14.0 Maximum, 11.0 Minimum			
Fluing					
Direct (unvented) Flue gases exit top sides of unit Combustion air enters at the bottom					
Connections					
Water - 3/4" NPT, Electric 115VAC 15 Amps SJO plug Gas - 1/2" NPT, Flue & Combustion Air - 4" vent pipe adapter					

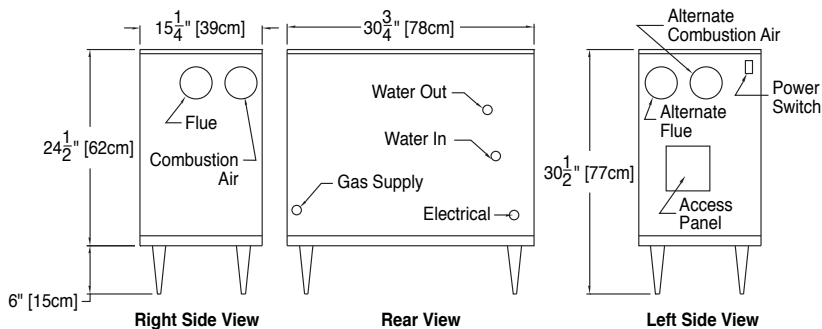
PT125



Net Weight Dry	110.7 Lbs
Dimensions	30.81" Wide x 15.13" Deep x 31.31" High (including legs) (78 x 38 x 80cm)

Capacity					
Input - 125,000 Btu/Hour, Output - 100,000 Btu/Hour = 29kW					
Recovery Rates at °F Temperature Rise					
°F Rise	30°FΔ	40°FΔ	50°FΔ	60°FΔ	70°FΔ
GPH Recovery	440	330	264	220	188
Fuel/Inlet Gas Pressure					
Gas Type		Inches - Water Column			
Natural LP/Propane		10.5 Maximum, 7.0 Minimum 14.0 Maximum, 11.0 Minimum			
Fluing					
Power vented through 4" side vent or 3" rear vent. Venting into condensate hood Side vent must be used when using wall mounting brackets					
Connections					
Water - 3/4" NPT, Electric 115VAC 15 Amps SJO plug Gas - 3/4" NPT, Flue & Combustion Air - 4" vent pipe adapter					

PT200



Net Weight Dry	106.8 Lbs
Dimensions	30.81" Wide x 15.13" Deep x 31.31" High (including legs) (78 x 38 x 80cm)

Capacity					
Input - 199,000 Btu/Hour, Output - 160,000 Btu/Hour = 47kW					
Recovery Rates at °F Temperature Rise					
°F Rise	30°FΔ	40°FΔ	50°FΔ	60°FΔ	70°FΔ
GPH Recovery	640	480	384	320	274
Fuel/Inlet Gas Pressure					
Gas Type		Inches - Water Column			
Natural LP/Propane		10.5 Maximum, 7.0 Minimum 14.0 Maximum, 11.0 Minimum			
Fluing					
Power vented through 4" side vent or 3" rear vent. Venting into condensate hood Side vent must be used when using wall mounting brackets					
Connections					
Water - 3/4" NPT, Electric 115VAC 15 Amps SJO plug Gas - 3/4" NPT, Flue & Combustion Air - 4" vent pipe adapter					