



SM Model Ice Machines

Installation, Use & Care Manual

This manual is updated as new information and models are released.
Visit our website for the latest manual. www.manitowocice.com
This manual contains English and French text

Table of Contents

Section 1 General Information

Model Numbers	4
How to Read a Model Number	4
Accessories	4
Legs	4
Drain Pump	4
Manitowoc Cleaner and Sanitizer	4
Arctic Pure Water Filter System	4

Section 2 Installation Instructions

Installation Prerequisites	5
General	5
Location of Ice Machine	5
Clearances	5
Electrical Service	6
General	6
Voltage	6
Minimum Circuit Ampacity	6
Electrical Requirements	6
Maximum Breaker Size & Minimum Circuit Amperage Chart	6
GFCI Requirements	6
Water Supply and Drain Requirements	7
Water Supply	7
Water Inlet Lines	7
Drain Connections	7
Water Supply and Drain Line Sizing/Connections	7
Step-by-Step Installation Procedure	8
Drain Pump Option	9
Reversing Door Swing	9
Installation Check List	10
Before Starting the Ice Machine	10

Section 3 Operation

Sequence of Operation	11
Control Panel	11
Functions	11
Safety Timers	12
Operational Checks	12
General	12
Water Level	12
Bin Thermostat Adjustment	12
Testing and Adjusting the Bin Thermostat	13
Cube Weight Adjustment	13

Table of Contents (continued)

**Section 4
Maintenance**

General	14
Interior Cleaning and Sanitizing	15
General	15
In Place Cleaning/Sanitizing Procedure	15
Cleaning Procedure	16
Removal of Parts For Cleaning/Sanitizing	17
Exterior Cleaning	21
Cleaning the Condenser	21
General	21
Removal from Service/Long Term Storage/Winterization	21
General	21
Self-Contained Air-Cooled Ice Machines	21

**Section 5
Customer Support**

Checklist	22
Commercial Ice Machine Warranty	23
Residential Ice Machine Limited Warranty	24

Section 1

General Information

Model Numbers

This manual covers the following models:

Self-Contained Air-Cooled
SMS050A

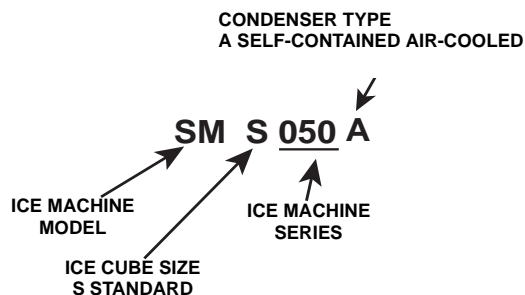


Warning

PERSONAL INJURY POTENTIAL

Do not operate equipment that has been misused, abused, neglected, damaged, or altered/modified from that of original manufactured specifications.

How to Read a Model Number



Accessories

Contact your Manitowoc distributor for these optional accessories:

LEGS

Four inch adjustable legs are available.

DRAIN PUMP

Pumps waste water from ice machine to drain.

MANITOWOC CLEANER AND SANITIZER

Manitowoc Ice Machine Cleaner and Sanitizer are available in convenient 16 oz. (473 ml) bottles. These are the only cleaner and sanitizer approved for use with Manitowoc products.

Cleaner Part Number	Sanitizer Part Number
16 ounce bottle - 000000084	16 ounce bottle - 94-0565-3

ARCTIC PURE WATER FILTER SYSTEM

Engineered specifically for Manitowoc ice machines, This water filter is an efficient, dependable, and affordable method of inhibiting scale formation, filtering sediment, and removing chlorine taste and odor. The water filter is K00374.

Section 2

Installation Instructions

Installation Prerequisites

- Must have open site (gravity) drain available or purchase optional drain pump (see Water Supply and Drain Requirements).
- Must have a grounded, polarized electrical power supply on a dedicated electrical circuit (only appliance on circuit). If GFCI (ground fault circuit interrupter) is required by your local electrical code, it must be breaker type, not outlet type (see Electrical Service).
- Must have cold water supply line available at Ice Machine (see Water Supply and Drain Requirements).
- Clearance and air temperatures must be met (see Location of Ice Machine).
- If built into a cabinet, ice machine must be removable for yearly cleaning procedure.

General

Call Manitowoc Foodservice at (800) 235-9698 for the name of a local company capable of installation and start-up services.

Warning

Proper installation requires connection to the water supply, a drain and a dedicated electrical circuit. These connections are the responsibilities of the owner/operator. Improper connections can result in personal injury, substantial property damage and erratic machine operation. If you are unsure of your ability to safely connect the ice machine, consult qualified professionals or contact Manitowoc Foodservice.

Important

Failure to follow these installation guidelines may affect warranty coverage.

Location of Ice Machine

The location selected for the ice machine must meet the following criteria. If any of these criteria are not met, select another location.

- The ice machine may be built into a cabinet, however the location must allow removal of the ice machine for cleaning and servicing. Service diagnostics are performed from the top of the ice machine.
- The location must be free of airborne and other contaminants.
- The air temperature must be at least 50°F (10°C), but must not exceed 110°F (43°C).
- The location must not be near heat-generating equipment.
- The location must not obstruct air flow through the condenser (airflow is in and out the front of the ice machine).
- The location must allow enough clearance for water, drain and electrical connections at the rear of the ice machine.
- The ice machine may be installed outside.

Caution

The ice machine must be protected if it will be subjected to ambient temperatures below 32°F (0°C). Component failure caused by exposure to freezing temperatures is not covered by the warranty.

CLEARANCES

Top/Sides	5" (12.7 cm)*
Back	5" (12.7 cm)
Front	24" (60.9 cm)

*The ice machine may be built into a cabinet. There is no minimum clearance requirement for the top or sides of the ice machine. The listed values are recommended for efficient operation and servicing only.

Electrical Service

GENERAL

Warning

All wiring must conform to local, state and national codes.

Prepare electrical circuit before installation of your ice machine. Installation requires a grounded (three-prong), polarized receptacle with a separate fuse/circuit breaker in an electrical service box.

VOLTAGE

The maximum allowable voltage variation is $\pm 10\%$ of the rated voltage at ice machine start-up (when the electrical load is highest).

Warning

The ice machine must be grounded in accordance with national and local electrical codes.

All electrical work, including wire routing and grounding, must conform to local, state and national electrical codes. The following precautions must be observed:

- The ice machine must be grounded.
- A separate fuse/circuit breaker must be provided for each ice machine.
- The maximum allowable voltage variation is $\pm 10\%$ of the rated voltage at ice machine start-up (when the electrical load is highest).
- Check all green ground screws in the control box and verify they are tight before starting the ice machine.
- Manitowoc's recommended minimum wire size is #14 for less than 100' (30.5 m) or #12 for more than 100' to 200' (30.5 to 61 m) (solid copper conductor only). The recommended breaker is 15 amp. Local or state electrical code, length of run or materials used, can increase the minimum wire gauge required. A qualified electrician must determine the proper wire size, although #14 is the minimum size allowed.

Important

Observe correct polarity of incoming line voltage.

Incorrect polarity can lead to erratic ice machine operation and a safety issue.

MINIMUM CIRCUIT AMPACITY

The minimum circuit ampacity is used to help select the wire size of the electrical supply. (Minimum circuit ampacity is not the ice machine's running amp load.)

ELECTRICAL REQUIREMENTS

Refer to Ice Machine Model/Serial Plate for voltage/ampere specifications.

MAXIMUM BREAKER SIZE & MINIMUM CIRCUIT AMPERAGE CHART

Model	Voltage Phase Cycle	Air-Cooled	
		Maximum Fuse/Circuit Breaker	Minimum Circuit Amps
SM50A	115/1/60	15	4.1

GFCI REQUIREMENTS

If GFCI (ground fault circuit interrupter) is required by local electrical code, it must be breaker type.

Water Supply and Drain Requirements

WATER SUPPLY

Prepare water supply line and drain before installation of your ice machine. Installation requires a 1/4" ID copper cold water line and compression fitting (not supplied). The ice machine is supplied with a drain hose for gravity draining. The optional drain pump must be purchased if a gravity drain is not possible. Both drain methods require routing to an open site drain. Do not connect directly to drain line as bacteria from drain line may contaminate the ice machine.


The included water filter is designed to inhibit scale formation, filter sediment, and remove chlorine odor and taste. The life expectancy of the water filter is 6 months during normal usage. The ice machine control board will monitor water usage and indicate when replacement is required.

WATER INLET LINES

Follow these guidelines to install water inlet lines:

- Do not connect the ice machine to a hot water supply. Be sure all hot water restrictors installed for other equipment are working. (Check valves on sink faucets, dishwashers, etc.)
- If water pressure exceeds the maximum recommended pressure (80 psi/552 kPA), obtain a water pressure regulator from your Manitowoc distributor.
- Install a water shut-off valve for the ice making water lines.
- Insulate the water inlet line to prevent condensation.

WATER SUPPLY AND DRAIN LINE SIZING/CONNECTIONS

 **Caution**
Plumbing must conform to state and local codes.

DRAIN CONNECTIONS

Follow these guidelines when installing drain lines to prevent drain water from flowing back into the ice machine and storage bin:

- Drain lines must have a 1.5 inch drop per 5 feet of run (2.5 cm per meter), and must not create traps.
- The floor drain must be large enough to accommodate drainage from all drains.
- Drain pump discharge line must terminate at an open site drain.
- Maximum rise - 12 feet (3.7 m)
- Maximum run - 100 feet (30.5 m)

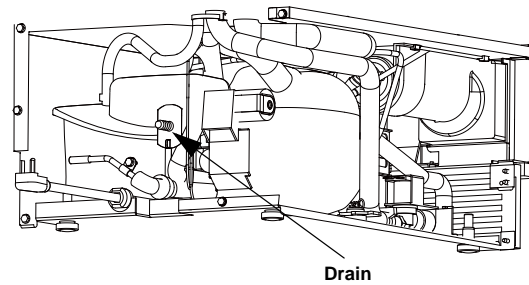
Approx. Height of Ice Machine Drain	
Standard Installation	3" (76 mm)
Installation with Leg Option	7" (179 mm)

Location	Water Temperature	Water Pressure	Ice Machine Fitting	Tubing Size Up to Ice Machine Fitting
Ice Making Water Inlet	35°F (1.6°C) Min. 90°F (32.2°C) Max.	20 psi (137.9 kPA) Min. 80 psi (551.5 kPA) Max.	1/4" (.64 cm) ID Copper Tubing	1/4" (.64 cm) minimum inside diameter
Ice Making Bin Drain	---	---	3/4" (1.9 cm) Hose Barb	3/4" (1.9 cm) minimum inside diameter
Drain Pump	---	---	3/8" (.96 cm) Hose	3/8" (.96 cm) ID minimum

NOTE: If air temperature is less than 60°F (15.5°C), water temperature must be equal to or greater than 50°F (10°C).

Step-by-Step Installation Procedure

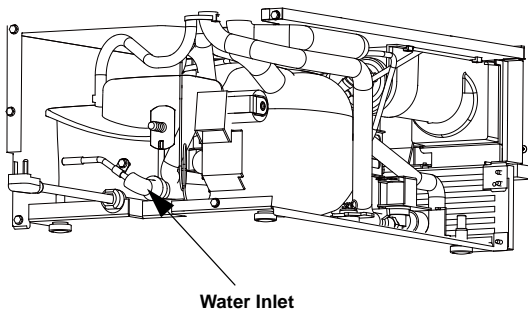
1. Prepare the site by following the instructions under Electrical Service and Water Supply and Drain Requirements.
2. Remove ice machine from carton.
3. Inspect for damage.
4. Remove literature/warranty packet and drain hose from inside the ice machine.
5. Adjust leg levelers (or install optional legs).
6. Reverse door if desired. See Reversing Door Swing on page 9.
7. For a gravity drain, install drain hose to drain on back of ice machine and route to open site drain. For optional drain pump method, see Drain Pump Option on page 9. Refer to Water Supply and Drain Requirements on page 7.



10. Connect electrical plug to grounded (three-prong), polarized outlet. See Electrical Service on page 6.

⚠ Warning

The ice machine must be grounded in accordance with national and local electrical codes. Do not use an extension cord or adapter.



⚠ Warning

Improper water supply and drain connections can result in personal injury and substantial property damage. These connections are the responsibility of the owner/operator.

8. Use compression fitting to connect the Water Inlet on back of ice machine to the prepared 1/4" ID cold water line. Refer to Water Supply and Drain Requirements on page 7.
9. Open the shut-off valve on the water line.

11. Place ice machine back in position and check leveling again. Make any necessary adjustments.
12. Prepare sanitizer solution and sanitize the ice machine according to In Place Cleaning/Sanitizing Procedure steps 5 and 6.
13. Put one gallon of cold water into a container that will easily pour under the lifted water shutters. Open shutters and add one gallon of cold water.
14. Press Power button.
15. At initial start-up, ice machine will need approximately 30 minutes to freeze ice and up to 5 minutes to harvest the ice.

⚠ Caution

Check all visible connections for water leakage.

Drain Pump Option

Warning

Disconnect power to ice machine before proceeding.

1. Remove top cover screws and slide cover off. Remove back panel screws and lift panel off.
2. Assemble the outlet tube and vent tube to the drain pump.
3. Plug the drain pump's wire assembly into the ice machine's wire assembly. Slide drain pump into cavity.
4. Swap out existing Bin Drain Tube for Bin Drain Tube packaged with drain pump.
5. Route the vent tube and outlet tube.
6. Reassemble ice machine.

NOTE: See instructions packaged with drain pump for details.

Caution

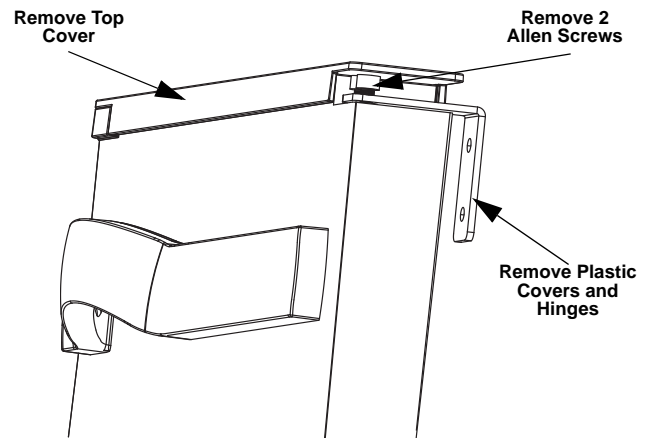
Upon activation, be sure to check all connections for water leakage.

Reversing Door Swing

1. Remove top cover from the door - Use a putty knife to lift the inside edge of the top door cover out and up to disengage from the door panel. Repeat on bottom cover.
2. Release door from top hinge - Remove two allen screws from the top of the door and lift door panel off of two bottom allen screws.

NOTE: There are nylon washers for each bottom allen screw and one plastic bushing for the outside screw, do not misplace these parts they help the door swing smoothly.

3. Remove plastic covers from top and bottom hinges and remove screws securing the hinges. Reinstall screws in holes after hinges are removed.
4. Remove existing screws from cabinet to reinstall hinges on opposite side.
5. Install top and bottom hinges in new location.
6. Install the bottom allen screws, nylon washers, and plastic screw cover (to the outside screw).
7. Before installing the door, there is another plastic bushing for the top outside allen screw, remove from top of the door and reinstall on opposite side.
8. Place door on the two bottom screws.
9. Secure top of door with allen screws removed in step 2.
10. Reinstall top and bottom covers on door. Insert front pins first then snap into place.
11. Reverse door handle - Loosen 3 screws from inside door panel until the handle disengages. Flip door handle 180 degrees and tighten screws.



Installation Check List

- Is the Ice Machine level?
- Has all of the internal packing been removed?
- Have all of the electrical and water connections been made?
- Has the supply voltage been tested and checked against the rating on the nameplate?
- Is there proper clearance around the ice machine for air circulation?
- Is the ice machine grounded and polarity correct?
- Has the ice machine been installed where ambient temperatures will remain in the range of 50° - 110°F (10° - 43°C)?
- Has the ice machine been installed where the incoming water temperature will remain in the range of 35° - 90°F (2° - 32°C)?
- Is the ice machine drain line routed to an open site drain?
- Are all electrical leads free from contact with refrigeration lines and moving equipment?
- Has the owner/operator been instructed regarding maintenance and the use of Manitowoc Cleaner and Sanitizer?
- Has the OWNER WARRANTY REGISTRATION CARD been completed?
- Has the ice machine and bin been sanitized?

- When installed is the drain pump functioning correctly energizes, de-energizes and safety switch stops the ice machine?
- GFCI Required - Is it a breaker type and not a receptacle type?
- Is the ice machine plugged into a properly grounded, polarized receptacle?
- Have the water and drain connections been examined for leaks?

NOTE: If air temperature is less than 60°F (15.5°C), water temperature must be equal to or greater than 50°F (10°C).


Before Starting the Ice Machine

Sanitize the ice machine.

All Manitowoc ice machines are factory-operated and adjusted before shipment. Normally, new installations do not require any adjustment.

To ensure proper operation, follow the Operational Checks in Section 3 of this manual. Starting the ice machine and completing the Operational Checks are the responsibilities of the owner/operator.

Adjustments and maintenance procedures outlined in this manual are not covered by the warranty.

 Warning

Potential Personal Injury Situation

Do not operate equipment that has been misused, abused, neglected, damaged, or altered/modified from that of original manufactured specifications.

Section 3

Operation

Sequence of Operation

Depending on ambient conditions and cold water supply temperature, the ice making process will take approximately 30 minutes.

1. Initial Start-Up or Start-Up After Automatic Shut-Off — Water Fill

Before the compressor starts, the water inlet valve will energize to purge old water from the system for about 3 minutes.

2. Refrigeration System Start-Up

The compressor starts after the Water Fill cycle and remains on throughout the Freeze and Harvest cycles. The condenser fan motor starts and runs throughout the Freeze cycle.

3. Freeze

The water pump sprays water into the inverted cups. The water freezes layer by layer, until an ice cube forms in each cup. The control system will adjust the length of the Freeze cycle to conditions.

4. Harvest

The water pump shuts off and the water inlet valve starts up to assist harvest and refill the water sump. The evaporator is warmed, allowing the cubes to release from the evaporator and drop into the storage bin. The control system will adjust the length of the Harvest cycle to conditions and regulate whether the condenser fan will run.

At the end of the Harvest cycle, the ice machine will start another Freeze cycle (Step 3).

5. Automatic Shut-Off

The level of ice in the storage bin controls the ice machine shut-off. When the bin is full, ice will contact the bin thermostat bulb holder. The bin thermostat bulb cools, which stops the ice machine. The ice machine remains off until ice no longer contacts the bin thermostat bulb holder and the thermostat bulb warms up. The increase in temperature will restart the ice machine (Step 1).

Control Panel

FUNCTIONS

Power Button (Green)

Pressing the “Power” button once will energize the ice machine and green Power light. Pressing the “Power” button a second time will de-energize the ice machine.

Automatic Ice Making Light (Blue)

This light is energized when the ice machine is the ice making position. The light is off when the ice machine is in the clean cycle.

Delay Start

Pressing the “Delay Start” button will initiate a delay cycle. The ice machine will not run until the delay time expires.

- Pressing the button once will energize the 2 hour light and initiate a two hour delay period.
- Pressing the button a second time will energize the 4 hour light and initiate a four hour delay period.
- Pressing the button a third time will energize the 8 hour light and initiate an eight hour delay period.
- Pressing the button a fourth time will cancel the delay cycle.

Clean (Green)

Pressing the “Clean” button will initiate a clean cycle and de-energize the “Automatic Ice Making” light. The clean light will flash during the clean cycle to indicate the proper time to add ice machine cleaner or sanitizer.

Replace Filter (Red)

When the ice machine completes 8000 freeze/harvest cycles the light will energize to indicate the filter needs replacement. Depressing the “Clean” button for 6 seconds will reset the counter and de-energize the light.

SAFETY TIMERS

The control board has the following non-adjustable safety timers:

- Initial cycle is 5 minutes longer than subsequent cycles.
- The ice machine is locked into the freeze cycle for 10 minutes (15 minutes initial cycle) before a harvest cycle can be initiated.
- The maximum freeze time is 120 minutes at which time the control board automatically initiates a harvest cycle (step 4).
- The maximum harvest time is 5 minutes at which time the control board automatically start a freeze cycle.

Operational Checks**GENERAL**

Manitowoc ice machines are factory-operated and adjusted before shipment. Normally, new installations do not require any adjustment.

To ensure proper operation, always follow the Operational Checks:

- when starting the ice machine for the first time
- after a prolonged out of service period
- after cleaning and sanitizing

NOTE: Routine adjustments and maintenance procedures are not covered by the warranty.

WATER LEVEL

The ice machine maintains the correct water level. The water level is not adjustable.

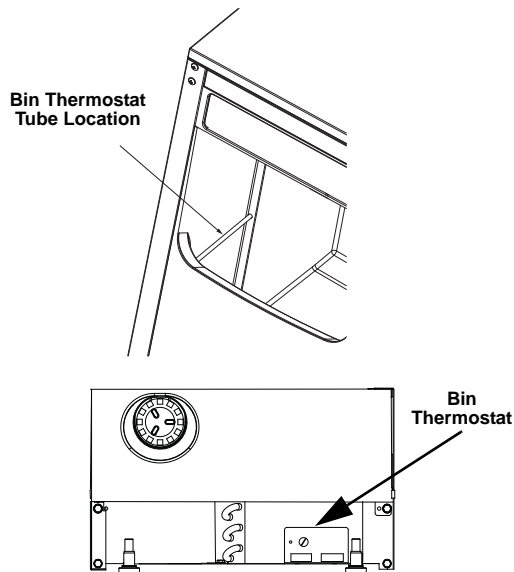
BIN THERMOSTAT ADJUSTMENT

The bin thermostat stops the ice machine when the bin is full. Turn the thermostat to the left to decrease the level of ice in bin or to the right to increase the level of ice in bin.

TESTING AND ADJUSTING THE BIN THERMOSTAT

The bin thermostat stops the ice machine when the bin is full. It is preset for normal ambient temperatures and adjustments are usually not required.

The thermostat is functioning correctly if, when three ice cubes are placed on the thermostat tube for 5 minutes, the ice machine stops. The ice machine should restart 5 minutes after the cubes are removed.



If the ice machine stops before the bin is full or runs after the bin is full, ambient temperatures are probably high or low and the bin thermostat can be adjusted as follows:

Warning

HAZARDOUS MOVING PARTS

Power is supplied to ice machine during this procedure. Avoid contact with the fan blade and the electrical connections.

1. To access the thermostat, remove the two screws attaching the front grill and remove the grill.
2. Turn the thermostat to the left to decrease the level of ice before automatic shut-off. Turn to the right to increase the level of ice before automatic shut-off.
3. Reassemble the plastic panel and grill.

CUBE WEIGHT ADJUSTMENT

The cube weight can be increased from the factory setting by adjusting the finish time.

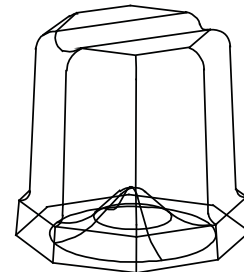
Additional finishing time check:

1. Press and hold the power button for 5 seconds.
2. Count the flashes on the Automatic Ice Making light. The light will flash once for each additional minute of freeze cycle time.

Adjusting Finishing Time

Adjust in 1 minute increments and allow the ice machine to run several freeze/harvest cycles, then inspect the ice cubes. If a heavier cube weight is desired add another minute of freeze time and repeat the process.

1. Press and hold the power button.
2. Press and release the clean button once for each additional minute of freeze cycle time desired.
3. Five minutes is the maximum additional freeze time that can be added. Pressing the clean button 6 times will reset the finishing time to zero additional minutes.



Cube weight increases or decreases depending on the amount of dimple in the cube

Section 4 Maintenance

General

You are responsible for maintaining the ice machine in accordance with the instructions in this manual. Maintenance procedures are not covered by the warranty.

 **Warning**

If you do not understand the procedures or the safety precautions that must be followed, call your local Manitowoc service representative to perform the maintenance procedures for you.


We recommend that you perform the following maintenance procedures a minimum of once every six months to ensure reliable, trouble-free operation and maximum ice production.

Maintenance	Weekly	Semi Annual	Annual	After prolonged shutdown	At Start-up
Clean Cabinet Exterior	X			X	X
Sanitize Ice Bin		X		X	X
Clean Evaporator		X	X	X	
Sanitize Evaporator		X	X	X	X
Clean Condenser Coil		X	X	X	
Change the Water Filter		X	X	X	
Check Ice Quality	X		X	X	X

Interior Cleaning and Sanitizing

GENERAL

Perform an In Place Cleaning/Sanitizing procedure monthly and a Cleaning/Sanitizing procedure every 12 months for efficient operation. If the ice machine requires more frequent cleaning and sanitizing, consult a qualified service company to test the water quality and recommend appropriate water treatment. An extremely dirty ice machine must be taken apart for cleaning and sanitizing.


 Caution
<p>Damage to the ice machine evaporator caused by incorrect chemical usage is not covered by the warranty. Use Manitowoc Ice Machine Cleaner (part number 000000084) and Sanitizer (part number 94-0565-3) only.</p>

IN PLACE CLEANING/SANITIZING PROCEDURE

This procedure allows monthly in place cleaning of all surfaces that come in contact with the water system. The ice machine requires disassembly and cleaning/sanitizing a minimum of once every 12 months. The quality of your potable water supply may require more frequent cleaning intervals.

Use ice machine cleaner to remove lime scale or other mineral deposits. Ice machine sanitizer disinfects and removes algae and slime.

NOTE: All ice must be removed from the bin.

 Warning
<p>Follow all labels and warnings on cleaner and sanitizer bottles.</p>

Step 1 Prepare 4 oz (1/2 cup) of undiluted Manitowoc Ice Machine Cleaner (part number 000000084 only) in a container that will fit easily under the lifted water shutters. Refer to page 18 to identify the water shutters.

Model	Amount of Cleaner
SM50	4 oz. (120 ml)

Step 2 Press the clean switch. The ice machine will initiate a 2 minute harvest to remove any remaining ice from the evaporator.

Step 3 Remove all ice from the bin.

Step 4 Wait 3 minutes until the Clean light flashes, then add the prepared Manitowoc Cleaner by lifting the water shutters and pouring directly into the spray area.

Step 5 The ice machine will automatically time out a ten minute cleaning cycle, followed by eight rinse cycles, and stop. The Clean light will turn off to indicate the clean cycle is complete. This entire cycle lasts approximately 30 minutes.

Step 6 Prepare 1/2 oz (1 tablespoon) of undiluted Manitowoc Ice Machine Sanitizer (part number 94-0565-3 only) in a container that will fit into the same area.

Model	Amount of Sanitizer
SM50	1/2 oz. (15 ml)

Step 7 Press the Clean switch. Wait 3 minutes until the Clean light flashes, then add the prepared Manitowoc Sanitizer by lifting the water shutters and pouring directly into the spray area. The ice machine will automatically time out a ten minute sanitizing cycle, followed by eight rinse cycles, and stop. The Clean light will turn off to indicate the sanitizing cycle is complete. This entire cycle lasts approximately 30 minutes.

NOTE: The ice machine will automatically continue from the previous point before the clean cycle was initiated.

- A. If the ice machine was in the ice making cycle, the control board will start ice making again.
- B. If the ice machine was in the off cycle, the control board will turn off.

Step 8 Mix a solution of 1/4 oz. (7.4 ml) of sanitizer and 1/2 gallon (1.9 L) of water. Use a spray bottle, sponge or cloth to sanitize the bin. Rinsing is not required.

CLEANING PROCEDURE

Ice machine cleaner is used to remove lime scale and other mineral deposits. Ice machine sanitizer disinfects and removes algae and slime.

NOTE: All ice must be removed from the bin.

Step 1 Prepare 4 oz (1/2 cup) of undiluted Manitowoc Ice Machine Cleaner (part number 000000084 only) in a container that will fit easily under the lifted water shutters.


Model	Amount of Cleaner
SM50	4 oz. (120 ml)

Step 2 Press the Clean switch. The ice machine will initiate a 2 minute harvest to remove any remaining ice from the evaporator.


Step 3 Remove all ice from the bin.

Step 4 Wait 3 minutes until the Clean light flashes, then add the prepared Manitowoc Cleaner by lifting the water shutters and pouring directly into the spray area. The ice machine will automatically time out a ten minute cleaning cycle, followed by eight rinse cycles, and stop. The Clean light will turn off to indicate the clean cycle is complete. This entire cycle lasts approximately 30 minutes.

Step 5 When the cleaning process stops, disconnect power and remove all parts as described in Removal of Parts for Cleaning and Sanitizing.

 Warning
Follow all labels and warnings on cleaner and sanitizer bottles.

Step 6 Mix 16 oz (2 cups) cleaner with 2 gal of warm water.

 Caution
Do not mix Cleaner and Sanitizer solutions together. It is a violation of Federal law to use these solutions in a manner inconsistent with their labeling.

Model	Cleaner Amount	Water Amount
SM50	16 oz. (473 ml)	2 gal (8L)

Step 7 Take all removed components to a sink for cleaning. Use 1/2 of the cleaner/water mixture to clean all components. The cleaner solution will foam when it contacts lime scale and mineral deposits; once the foaming stops, use a soft-bristle nylon brush, sponge or cloth (NOT a wire brush) to carefully clean the parts. Disassemble the spray bar, remove nozzles and inserts and soak for 5 minutes. For heavily scaled parts, soak in solution for 15 – 20 minutes. Rinse all components with clean water.

Step 8 While components are soaking, use the other 1/2 of the cleaner/water solution and a nylon brush or cloth to clean inside of ice bin. Clean inside of door, door gasket, bin, top of evaporator and evaporator bucket. Rinse all areas thoroughly with clean water.

Step 9 Mix 1 oz (2 tablespoons) sanitizer with 2 gal of warm water.

Model	Sanitizer Amount	Water Amount
SM50	1 oz. (30 ml)	2 gal (8L)

Step 10 Use 1/2 of the sanitizer/water mixture to sanitize all removed components. Use a cloth or sponge to liberally apply the solution to all surfaces of the removed parts or soak the removed parts in the sanitizer/solution. Rinsing is not required.

Step 11 Use the other 1/2 of the sanitizer/water solution and a sponge or cloth to sanitize the inside of ice bin. Sanitize inside of door, door gasket, bin, top of evaporator and evaporator bucket. Rinsing is not required.

Step 12 Replace all removed components.

Step 13 Prepare 1/2 oz (1 tablespoon) of undiluted Manitowoc Sanitizer.

Step 14 Reapply power to the ice machine, then press the Clean switch.


Step 15 Wait 3 minutes until the Clean light flashes, then add the prepared Manitowoc Sanitizer by lifting the water shutters and pouring directly into the spray area. The ice machine will automatically time out a ten minute sanitizing cycle, followed by eight rinse cycles, and stop. The Clean light will turn off to indicate the sanitizing cycle is complete. This entire cycle lasts approximately 30 minutes.

NOTE: The ice machine will automatically continue from the previous point before the clean cycle was initiated.

- A. If the ice machine was in the ice making cycle, the control board will start ice making again.
- B. If the ice machine was in the off cycle, the control board will turn off.


REMOVAL OF PARTS FOR CLEANING/SANITIZING

1. Turn off the electrical and water supply to the ice machine.

 **Warning**

Disconnect electric power to the ice machine before proceeding.

2. Remove all ice from the bin.
3. Remove the components that must be cleaned and sanitized. See the following pages for removal procedures for these parts.


 **Warning**

Wear rubber gloves and safety goggles (and/or face shield) when handling Cleaner or Sanitizer.

4. Soak the removed part(s) in a properly mixed solution of cleaner.

Solution Type	Water	Mixed With
Cleaner	1 gal. (4 l)	8 oz (240 ml) cleaner
Sanitizer	2 gal. (8 l)	1 oz (30 ml) sanitizer

5. The cleaner will foam; once the foaming stops use a soft-bristle nylon brush, sponge or cloth (NOT a wire brush) to carefully clean the parts.

 **Caution**

Do not immerse the water pump motor in the cleaning or sanitizing solution.

6. Thoroughly rinse all the parts with clear water.
7. Soak the removed parts in a properly mixed solution of sanitizer for 5 minutes.
8. Use a soft-bristle nylon brush, sponge or cloth (NOT a wire brush) to carefully sanitize the parts.
9. Use the sanitizing solution and a sponge or cloth to sanitize (wipe) the interior of the ice machine and bin.
10. Rinsing is not required when using Manitowoc Sanitizer.
11. Install the removed parts.
12. Turn on the water and electrical supply.

Top Cover

1. Remove two back screws.

Warning

Disconnect the electrical power to the ice machine at the electrical disconnect before proceeding.

2. Slide back and lift cover off.

Water Shutters

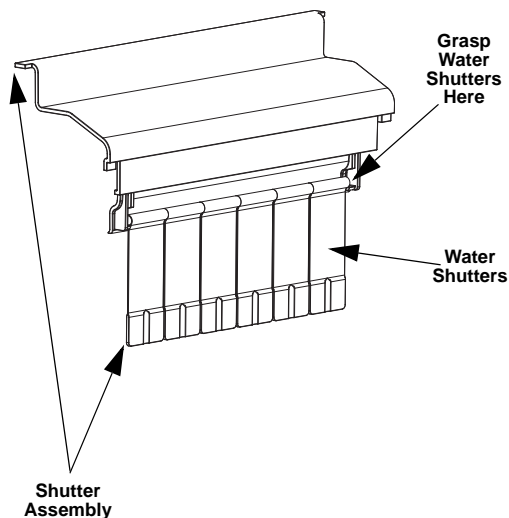
The water shutter is designed to keep the spraying water from escaping the evaporator compartment.

To remove just the water shutters:

1. Grasp one end of the water shutter and lift up.
2. Pivot water shutter and disengage remaining end.
3. To re-install into ice machine, grasp one end of the water shutters, install one end, pivot the opposite end and pull down into position. Make sure tabs are secure in grooves.

To remove water shutter assembly:

1. Slide evaporator bucket forward 1/2" (13 mm).
2. Lift shutter assembly straight up.



Warning

Removing the water shutters while the water pump is running will allow water to spray from ice machine. Disconnect the electrical power to the ice machine at the electric service switch box and turn off the water supply.

Bin Light

If the ice machine is shut down for a long period of time the bin light cover must be cleaned and sanitized. The light is provided for your convenience. If you experience operational problems with the light a replacement appliance bulb can be obtained from your local hardware store.

Front Grill

Warning

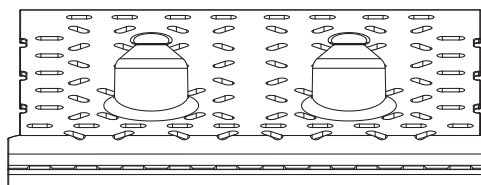
Disconnect the electric power to the ice machine at the electric service switch box and turn off the water supply before proceeding.

1. Remove two screws.
2. Tilt top forward and lift.

Ice Chute

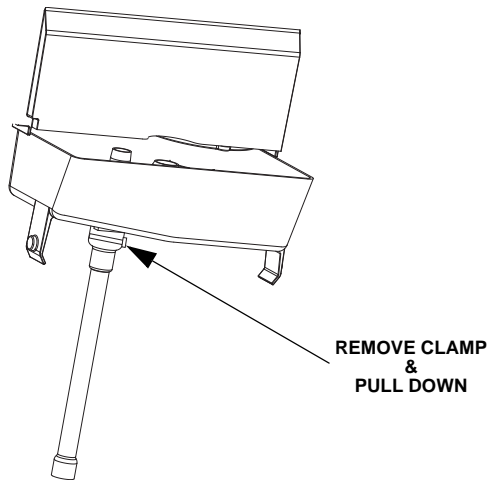
The ice chute is positioned over the spray nozzles and allows the ice to easily fall into the bin. It must be firmly positioned over the spray bar, with the front edge inside the water trough. Spray nozzles must be align with the spray holes or spray water will fall into the bin.

1. Grab protruding spray hole on one end and lift up and remove.
2. To re-install ice chute, grasp protruding spray hole and position over Water Distribution Assembly. Make sure rear supports are over spray bar, and front edge is inside of water trough.



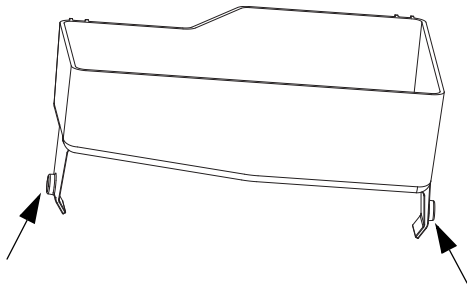
Sump Drain Overflow Tube

1. Remove clamp.
2. Pull down to remove overflow tube and tubing as an assembly. The sump trough water will drain into the bin.
3. Remove overflow tube from vinyl tubing by pulling.



Water Trough

1. Depress tabs on right and left side of the water trough.
2. Allow front of water trough to drop as you pull forward to disengage the rear pins.

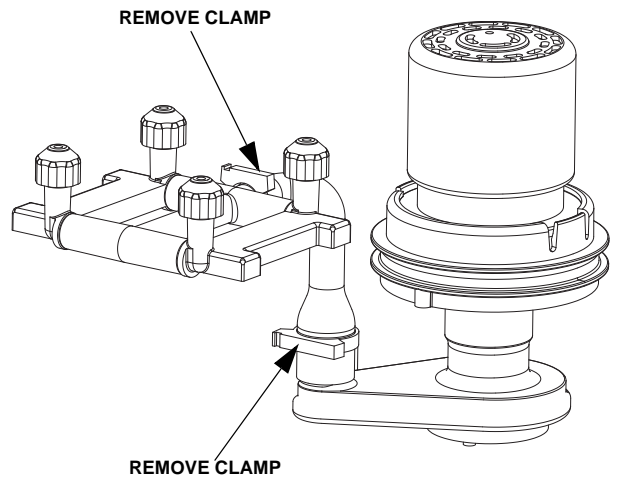


Spray Bar, Water Pump and Hose

⚠ Warning

Disconnect the electric power to the ice machine at the electric service switch box and turn off the water supply before proceeding.

1. Remove spray bar clamp and spray bar.
2. Grasp pump and pull straight down until water pump disengages and electrical connector is visible.
3. Disconnect the electrical connector.
4. Remove the water pump from ice machine.
5. Remove clamp from hose to remove from pump.
6. Do not soak the water pump in cleaner or sanitizer. Wipe the pump and ice machine base clean.

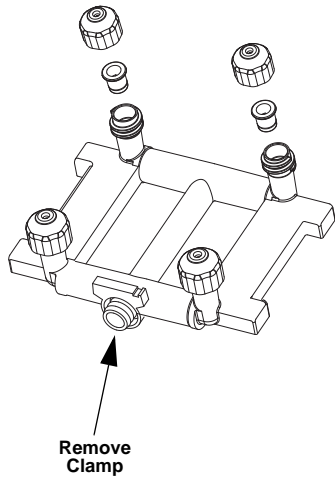


Spray Bar Disassembly

The spray bar supplies water to the individual ice-making cups. Water from the water pump sprays through the nozzles, located on the upper portion of the tubes.

1. Grasp one end of the spray bar, lift up and remove from seat formed in evaporator bucket.
2. Remove clamp on water inlet tubing by grasping both ears on clip and separating.
3. Apply food grade lubricant to ease re-assembly of spray bar components when necessary.
4. To re-install spray bar, position water inlet tubing on inlet ports, and squeeze clips until tight.
5. Reposition assembly on water trough seat.

Nozzles and inserts can be removed for cleaning by unscrewing nozzles. Inserts are located inside the spray bar ports. The spray bar also disassembles for easy cleaning.

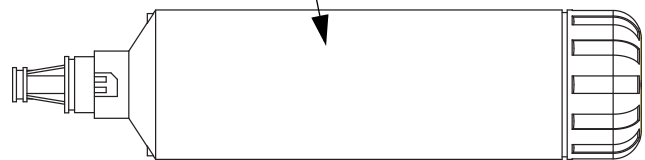
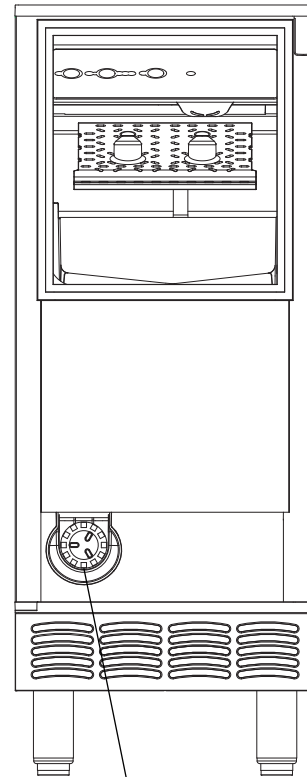


Spray Bar Removal

Water Filter

To replace the water filter incoming water does not need to be turned off.

1. Turn the filter 1/4 turn counter clockwise and it will pop out.
2. Reverse the process to re-install.



Water Filter Replacement

Exterior Cleaning

Clean the area around the ice machine as often as necessary to maintain cleanliness and efficient operation. Use cleaners designed for use with stainless steel products.

Sponge any dust and dirt off the outside of the ice machine with mild soap and water. Wipe dry with a clean, soft cloth.

Heavy stains should be removed with stainless steel wool. Never use plain steel wool or abrasive pads. They will scratch the panels.

Cleaning the Condenser

GENERAL

Warning

Disconnect electric power to the ice machine at the electric service switches before cleaning the condenser.

A dirty condenser restricts airflow, resulting in excessively high operating temperatures. This reduces ice production and shortens component life. Clean the condenser at least every six months. Follow the steps below.

1. Remove Front Grill by removing two screws. Clean Grill openings before replacing.
2. Clean the outside of the condenser with a soft brush or a vacuum with a brush attachment. Clean from top to bottom, not side to side. Be careful not to bend the condenser fins.
3. Shine a flashlight through the condenser to check for dirt between the fins. If dirt remains:
 - A. Compressed air can be blown through the condenser fins. This procedure will raise considerable dust and is best performed outside. Be careful not to bend the fan blades.
 - B. If dirt or grease remains between the fins or the condenser fins are bent or flattened, consult your service representative.

Removal from Service/Long Term Storage/Winterization

GENERAL

Special precautions must be taken if the ice machine is to be removed from service for an extended period of time or exposed to ambient temperatures of 32°F (0°C) or below.

Caution

If water is allowed to remain in the ice machine in freezing temperatures, severe damage to some components could result. Damage of this nature is not covered by the warranty.

Follow the procedure below.

SELF-CONTAINED AIR-COOLED ICE MACHINES

1. Perform a cleaning and sanitizing procedure to prevent mildew growth.
2. Disconnect the electric power at the circuit breaker or the electric service switch.
3. Turn off the water supply.
4. Remove the water from the water trough.
5. Disconnect and drain the incoming ice-making water line at the rear of the ice machine.
6. Disconnect vinyl hose from water pump and allow to drain.
7. Make sure water is not trapped in any of the water or drain lines. Compressed air can be used to blow out the lines.
8. Use a spray bottle and a solution of sanitizer/water (0.50 oz/ 1 gal) and spray all interior surfaces. **Do not rinse**, allow to air dry.
9. Block the door partially open to provide air exchange and prevent mildew growth.

Section 5

Customer Support

Checklist

If a problem arises during operation of your ice machine, follow the checklist below before calling for service. Routine adjustments and maintenance procedures are not covered by the warranty.

Problem	Possible Cause	To Correct
Ice machine will not run	No electrical power to the ice machine	Replace the fuse/reset the breaker/turn on the main switch or plug in ice machine.
	Power switch has not been depressed	Refer to section 3 and energize the ice machine
	Bin thermostat incorrectly adjusted	Adjust bin thermostat, refer to section 3
	Drain pump safety switch is open	Verify line is not kinked or crimped then call for service
Ice machine runs and no ice is produced	No water to ice machine	Correct water supply
	Incorrect incoming water pressure	Water pressure must be 20-80 psi (138 - 552 kPA)
	Spray nozzles blocked with mineral buildup	Clean and sanitize the ice machine, refer to section 4
	Ambient temperature is too high or low	Ambient temperature must be between 50° F and 110°F (10°C and 43 °C)
Freeze cycle is long - Low ice production	Water temperature is too high	Connect to a cold water supply, verify check valves in faucets and other equipment are functioning correctly
	Dirty condenser	Clean condenser see section 4
	High air temperature entering condenser	Air temperature must not exceed 110°F (43°C)
	Water inlet valve filter screen is dirty	Remove the water inlet valve and clean the filter screen (See Section 4)
	Water inlet valve stuck open or leaking	Turn off ice machine, if water continues to enter ice machine the water inlet valve must be replaced - call for service
	Water inlet valve is not working	Water inlet valve must be replaced, call for service
	Refrigeration problem	Call for service
Ice quality is poor - cubes are shallow, incomplete or white	Ice machine is dirty	Clean and sanitize the ice machine, see section 4
	Water filtration is poor	Replace the filter
	Water softener is working improperly (if applicable)	Repair the water softener
	Poor incoming water quality	Contact a qualified service company to test the quality of the incoming water and make appropriate filter recommendations
	Water inlet valve filter screen is dirty	Remove the water inlet valve and clean the filter screen (See Section 4)

Commercial Ice Machine Warranty

Manitowoc Ice, Inc. (hereinafter referred to as the "COMPANY") warrants for a period of thirty-six months from the installation date (except as limited below) that new ice machines manufactured by the COMPANY shall be free of defects in material or workmanship under normal and proper use and maintenance as specified by the COMPANY and upon proper installation and start-up in accordance with the instruction manual supplied with the ice machine. The COMPANY's warranty hereunder with respect to the compressor shall apply for an additional twenty-four months, excluding all labor charges, and with respect to the evaporator for an additional twenty-four months, including labor charges.

The obligation of the COMPANY under this warranty is limited to the repair or replacement of parts, components, or assemblies that in the opinion of the COMPANY are defective. This warranty is further limited to the cost of parts, components or assemblies and standard straight time labor charges at the servicing location.

Time and hourly rate schedules, as published from time to time by the COMPANY, apply to all service procedures. Additional expenses including without limitation, travel time, overtime premium, material cost, accessing or removal of the ice machine, or shipping are the responsibility of the owner, along with all maintenance, adjustments, cleaning, and ice purchases. Labor covered under this warranty must be performed by a COMPANY Contracted Service Representative or a refrigeration service agency as qualified and authorized by the COMPANY's local Distributor. The COMPANY's liability under this warranty shall in no event be greater than the actual purchase price paid by customer for the ice machine.

The foregoing warranty shall not apply to (1) any part or assembly that has been altered, modified, or changed; (2) any part or assembly that has been subjected to misuse, abuse, neglect, or accidents; (3) any ice machine that has been installed and/or maintained inconsistent with the technical instructions provided by the COMPANY; or (4) any ice machine initially installed more than five years from the serial number production date. This warranty shall not apply if the Ice Machine's refrigeration system is modified with a condenser, heat reclaim device, or parts and assemblies other than those manufactured by the COMPANY, unless the COMPANY approves these modifications for specific locations in writing.

THIS WARRANTY IS IN LIEU OF ALL OTHER WARRANTIES OR GUARANTEES OF ANY KIND, EXPRESSED OR IMPLIED, INCLUDING ANY IMPLIED WARRANTY OF MERCHANTABILITY OR FITNESS FOR A PARTICULAR PURPOSE. In no event shall the COMPANY be liable for any special, indirect, incidental or consequential damages. Upon the expiration of the warranty period, the COMPANY's liability under this warranty shall terminate. The foregoing warranty shall constitute the sole liability of the COMPANY and the exclusive remedy of the customer or user.

To secure prompt and continuing warranty service, the warranty registration card must be completed and sent to the COMPANY within five (5) days from the installation date.

Complete the following and retain for your record:

Distributor/Dealer _____
Model Number _____ Serial Number _____
Installation Date _____

MANITOWOC ICE, INC.
2110 So. 26th St., P.O. Box 1720, Manitowoc, WI 54221-1720
Telephone: 920-682-0161 • Fax: 920-683-7585
Web Site - www.manitowocice.com
Form 80-0375-3 Rev. 01-02

Residential Ice Machine Limited Warranty

WHAT DOES THIS LIMITED WARRANTY COVER?

Subject to the exclusions and limitations below, Manitowoc Foodservice ("Manitowoc") warrants to the original consumer that any new ice machine manufactured by Manitowoc (the "Product") shall be free of defects in material or workmanship for the warranty period outlined below under normal use and maintenance, and upon proper installation and start-up in accordance with the instruction manual supplied with the Product.

HOW LONG DOES THIS LIMITED WARRANTY LAST?

<u>Product Covered</u>	<u>Warranty Period</u>
Ice Machine	Twelve (12) months from the sale date

WHO IS COVERED BY THIS LIMITED WARRANTY?

This limited warranty only applies to the original consumer of the Product and is not transferable.

WHAT ARE MANITOWOC ICE'S OBLIGATIONS UNDER THIS LIMITED WARRANTY?

If a defect arises and Manitowoc receives a valid warranty claim prior to the expiration of the warranty period, Manitowoc shall, at its option: (1) repair the Product at Manitowoc's cost, including standard straight time labor charges, (2) replace the Product with one that is new or at least as functionally equivalent as the original, or (3) refund the purchase price for the Product. Replacement parts are warranted for 90 days or the balance of the original warranty period, whichever is longer. The foregoing constitutes Manitowoc's sole obligation and the consumer's exclusive remedy for any breach of this limited warranty. Manitowoc's liability under this limited warranty is limited to the purchase price of Product. Additional expenses including, without limitation, service travel time, overtime or premium labor charges, accessing or removing the Product, or shipping are the responsibility of the consumer.

HOW TO OBTAIN WARRANTY SERVICE

To obtain warranty service or information regarding your Product, please contact us at:
MANITOWOC FOODSERVICE
 2110 So. 26th St.
 P.O. Box 1720,
 Manitowoc, WI 54221-1720
 Telephone: 920-682-0161 Fax: 920-683-7585
www.manitowocice.com

WHAT IS NOT COVERED?

This limited warranty does not cover, and you are solely responsible for the costs of: (1) periodic or routine maintenance, (2) repair or replacement of the Product or parts due to normal wear and tear, (3) defects or damage to the Product or parts resulting from misuse, abuse, neglect, or accidents, (4) defects or damage to the Product or parts resulting from improper or unauthorized alterations, modifications, or changes; and (5) defects or damage to any Product that has not been installed and/or maintained in accordance with the instruction manual or technical instructions provided by Manitowoc. To the extent that warranty exclusions are not permitted under some state laws, these exclusions may not apply to you.

EXCEPT AS STATED IN THE FOLLOWING SENTENCE, THIS LIMITED WARRANTY IS THE SOLE AND EXCLUSIVE WARRANTY OF MANITOWOC WITH REGARD TO THE PRODUCT. ALL IMPLIED WARRANTIES ARE STRICTLY LIMITED TO THE DURATION OF THE LIMITED WARRANTY APPLICABLE TO THE PRODUCTS AS STATED ABOVE, INCLUDING BUT NOT LIMITED TO, ANY WARRANTY OF MERCHANTABILITY OR OF FITNESS FOR A PARTICULAR PURPOSE.

Some states do not allow limitations on how long an implied warranty lasts, so the above limitation may not apply to you.

IN NO EVENT SHALL MANITOWOC OR ANY OF ITS AFFILIATES BE LIABLE TO THE CONSUMER OR ANY OTHER PERSON FOR ANY INCIDENTAL, CONSEQUENTIAL OR SPECIAL DAMAGES OF ANY KIND (INCLUDING, WITHOUT LIMITATION, LOSS PROFITS, REVENUE OR BUSINESS) ARISING FROM OR IN ANY MANNER CONNECTED WITH THE PRODUCT, ANY BREACH OF THIS LIMITED WARRANTY, OR ANY OTHER CAUSE WHATSOEVER, WHETHER BASED ON CONTRACT, TORT OR ANY OTHER THEORY OF LIABILITY.

Some states do not allow the exclusion or limitation of incidental or consequential damages, so the above limitation or exclusion may not apply to you.

HOW STATE LAW APPLIES

This limited warranty gives you specific legal rights, and you may also have rights that vary from state to state or from one jurisdiction to another.

REGISTRATION CARD

To secure prompt and continuing warranty service, this warranty registration card must be completed and sent to Manitowoc within thirty (30) days from the sale date. Complete the following registration card and send it to Manitowoc.

Table des matières

Section 1 Généralités

Références des modèles	27
Comment lire un numéro de modèle	27
Accessoires	27
Pieds	27
Pompe de purge	27
Nettoyant et désinfectant Manitowoc	27
Système de filtration d'eau Arctic Pure	27

Section 2 Instructions d'installation

Conditions préalables d'installation	28
Généralités	28
Emplacement de la machine à glaçons	28
Dégagements	28
Alimentation électrique	29
Généralités	29
Tension	29
Courant admissible de circuit minimum	29
Conditions électriques requises	29
Tableau des dimensions maximales de disjoncteur et d'intensité minimale du circuit	29
Conditions GFCI/	29
Conditions requises d'alimentation d'eau et de vidange	30
Alimentation en eau	30
Lignes d'arrivée d'eau	30
Raccordements d'évacuation	30
Dimensionnement/Raccordement des conduites d'alimentation en eau et d'évacuation	30
Procédure d'installation étape par étape	31
Option pompe d'évacuation	32
Inversion de l'ouverture de porte	32
Liste de vérification d'installation	33
Avant la mise en marche de la machine à glaçons	33

Section 3 Fonctionnement

Gamme d'opération	34
Panneau de commande	34
Fonctions	34
Minuteries de sécurité	35
Vérifications opérationnelles	35
Généralités	35
Niveau d'eau	35
Réglage du thermostat de bac	35
Tester et ajuster le thermostat de bac	36
Réglage du poids des glaçons	36

Table des matières (suite)

Section 4 Entretien

Généralités	37
Nettoyage et désinfection intérieurs	38
Généralités	38
Procédure de nettoyage/désinfection en place	38
Procédure de nettoyage	39
Retrait des pièces pour le nettoyage/la désinfection	40
Nettoyage extérieur	44
Nettoyage du condenseur	44
Généralités	44
Mise hors service/Entreposage à long terme/Hivérisation	44
Généralités	44
Machines à glaçons autonomes refroidies à l'air	44

Section 5 Service clientèle

Liste de vérification	45
Garantie commerciale de la machine à glaçons	46
Garantie limitée résidentielle de la machine à glaçons	47

Section 1

Généralités

Références des modèles

Le présent manuel s'applique aux modèles suivants :

Autonomes refroidis à l'air
SMS050A

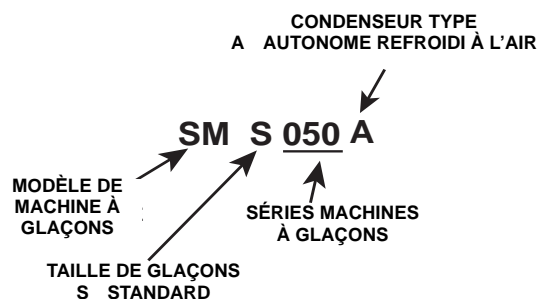


Avertissement

RISQUE DE BLESSURES CORPORELLES

Ne pas utiliser un équipement qui aura été mal utilisé, abusé, négligé, endommagé ou dont les spécifications originales de fabrication auront été altérées/modifiées.

Comment lire un numéro de modèle



Accessoires

Contactez le distributeur Manitowoc pour obtenir ces accessoires en option :

PIEDS

Des pieds réglables de quatre pouces sont disponibles.

POMPE DE PURGE

Pompez les eaux usées de la machine à glaçons dans le drain.

NETTOYANT ET DÉSINFECTANT MANITOWOC

Le nettoyant et le désinfectant pour machines à glaçons Manitowoc sont disponibles en bouteilles pratiques de 16 oz. (473 ml). Ce nettoyant et ce désinfectant sont les seuls produits approuvés pour les machines Manitowoc.

Référence du nettoyant	Référence du désinfectant
Bouteille de 16 onces - 000000084	Bouteille de 16 onces - 94-0565-3

SYSTÈME DE FILTRATION D'EAU ARCTIC PURE

Conçu spécifiquement pour les machines à glaçons Manitowoc, ce filtre à eau est une méthode efficace, fiable et abordable pour empêcher la formation de tartre, filtrer les sédiments et éliminer le goût et l'odeur du chlore. Le filtre à eau est K00374.

Section 2

Instructions d'installation

Conditions préalables d'installation

- Doit avoir un drain de vidange ouvert (gravité) disponible ou acheter pompe de purge en option (voir section Conditions requises d'alimentation d'eau et de vidange).
- Doit avoir une alimentation électrique polarisée mise à la terre sur un circuit électrique spécialisé (seul un appareil ménager sur le circuit). Si un disjoncteur de fuite de terre (GFCI) est exigé par le code local de l'électricité, il doit être de type disjoncteur, non pas de type prise (voir Alimentation électrique).
- Doit avoir une conduite d'alimentation en eau froide au niveau de la machine à glaçons (voir Conditions requises d'alimentation d'eau et de vidange).
- Les dégagements et températures d'air doivent être satisfaits (voir Emplacement de la machine à glaçons).
- Si encastree dans une armoire, la machine à glaçons doit être amovible pour la procédure de nettoyage annuel.

Généralités

Contactez Manitowoc Foodservice au (800) 235-9698 pour obtenir le nom d'une société locale capable de services d'installation et de mise en route.



Avertissement

Une installation adéquate requiert une connexion à l'alimentation en eau, un drain et un circuit électrique spécialisé. Ces connexions sont les responsabilités du propriétaire/opérateur. De mauvaises connexions peuvent entraîner des blessures corporelles, des dommages matériels considérables et un fonctionnement de machine erratique. En cas de doute sur la connexion en toute sécurité de la machine à glaçons, consulter des professionnels qualifiés ou contacter Manitowoc Foodservice.

Important

Le non-respect de ces directives d'installation risque d'affecter la couverture de garantie.

Emplacement de la machine à glaçons

Le choix de l'emplacement pour la machine à glaçons doit respecter les critères suivants. Si l'un de ces critères n'est pas respecté, choisir un autre emplacement.

- La machine à glaçons peut être encastree dans une armoire, toutefois, l'emplacement doit permettre le retrait de la machine pour son entretien et son nettoyage. Les diagnostics de service sont effectués à partir du dessus de la machine à glaçons.
- L'emplacement doit être exempt d'agents aéroportés et de toute autre substance contaminante.
- La température de l'air doit être au moins de 10 °C (50 °F) sans toutefois excéder 43 °C (110 °F).
- L'emplacement ne doit pas se trouver à proximité d'un équipement générant de la chaleur.
- L'emplacement ne doit pas obstruer l'écoulement d'air dans le condenseur (le débit d'air entre et sort sur le devant de la machine).
- L'emplacement doit prévoir suffisamment de dégagement pour les prises d'eau, raccordements de vidange et raccordements électriques à l'arrière de la machine à glaçons.
- La machine à glaçons peut être installée à l'extérieur.



Attention

La machine à glaçons doit être protégée si elle est susceptible d'être soumise à des températures ambiantes inférieures à 0 °C (32 °F). Toute défaillance des composants due à une exposition à des températures inférieures à 0 °C n'est pas couverte par la garantie.

DÉGAGEMENTS

Haut/Côtés	12,7 cm (5")*
Arrière	12,7 cm (5")
Avant	60,9 cm (24")

*La machine à glaçons peut être encastree dans une armoire. Il n'y a aucune exigence de dégagement minimum pour le haut ou les côtés de la machine à glaçons. Les valeurs indiquées sont recommandées uniquement pour un fonctionnement et un entretien efficaces.

Alimentation électrique

GÉNÉRALITÉS

Avertissement

Tout le câblage doit être conforme aux codes locaux, régionaux et nationaux.

Préparer le circuit électrique avant l'installation de la machine à glaçons. L'installation requiert une prise polarisée mise à la terre (à trois broches) avec un fusible/disjoncteur séparé dans un coffret de branchement électrique.

TENSION

La variation de tension admissible maximale est de +/-10 % de la tension nominale au démarrage de la machine à glaçons (lorsque la charge électrique est la plus haute).

Avertissement

La machine à glaçons doit être mise à la terre conformément aux codes de l'électricité nationaux et locaux.

Tous les travaux électriques, notamment l'acheminement et la mise à la terre des câbles, doivent être conformes aux codes de l'électricité locaux, régionaux et nationaux. Respecter les précautions suivantes :

- La machine à glaçons doit être mise à la terre.
- Un fusible/disjoncteur séparé doit être fourni pour chaque machine à glaçons.
- La variation de tension admissible maximale est de +/-10 % de la tension nominale au démarrage de la machine à glaçons (lorsque la charge électrique est la plus haute).
- Inspecter toutes les vis de terre vertes dans le boîtier de commande et vérifier qu'elles sont bien serrées avant de mettre en marche la machine à glaçons.
- La taille de câble minimum recommandée de Manitowoc est n° 14 pour moins de 30,5 m (100') ou n° 12 pour plus de 30,5 à 61 m (100' à 200') (conducteur en cuivre massif uniquement). Le disjoncteur recommandé est de 15 ampères. Le code de l'électricité local ou régional, la longueur de câble ou les matériaux utilisés peuvent augmenter la taille de câble minimum requise. Un électricien qualifié doit déterminer la taille de câble appropriée bien que le n° 14 est la taille minimum requise.

Important

Observer la polarité correcte de la tension de la ligne d'arrivée.

Une polarité incorrecte peut entraîner un fonctionnement erratique de la machine à glaçons et constituer un problème de sécurité.

COURANT ADMISSIBLE DE CIRCUIT MINIMUM

Le courant admissible de circuit minimum permet de sélectionner la dimension de câble de l'alimentation électrique. (Le courant admissible de circuit minimum n'est pas la charge d'intensité de fonctionnement de la machine à glaçons.)

CONDITIONS ÉLECTRIQUES REQUISES

Consulter la plaque de modèle/série de la machine à glaçons pour connaître les spécifications de tension/d'intensité.

TABLEAU DES DIMENSIONS MAXIMALES DE DISJONCTEUR ET D'INTENSITÉ MINIMALE DU CIRCUIT

Modèle	Tension/ Phase/Cycle	Refroidissement à l'air	
		Fusible/ Disjoncteur maximum	Intensité minimale du circuit
SM50A	115/1/60	15	4.1

CONDITIONS GFCI

Si un disjoncteur de fuite de terre (GFCI) est exigé par le code local de l'électricité, il doit être de type disjoncteur.

Conditions requises d'alimentation d'eau et de vidange

ALIMENTATION EN EAU

Préparer la conduite d'alimentation et l'évacuation avant l'installation de la machine à glaçons. L'installation requiert une conduite d'eau froide en cuivre de 1/4" de DI et d'un raccord de compression (non fourni). La machine à glaçons est fournie avec un tuyau d'évacuation pour une évacuation par gravité. La pompe d'évacuation en option doit être achetée si une évacuation par gravité n'est pas possible. Les deux méthodes d'évacuation exigent un acheminement vers un drain ouvert sur site. Ne pas connecter directement à la conduite d'évacuation étant donné que les bactéries provenant de la conduite d'évacuation risquent de contaminer la machine à glaçons.

Le filtre à eau inclus est conçu pour empêcher la formation de tartre, filtrer les sédiments et éliminer le goût et l'odeur de chlore. La durée de vie du filtre à eau est de 6 mois en usage normal. Le panneau de commande de la machine à glaçons contrôlera l'usage de l'eau et indiquera quand il faut remplacer le filtre.

LIGNES D'ARRIVÉE D'EAU

Suivre ces directives pour l'installation des lignes d'arrivée d'eau :

- Ne pas raccorder la machine à glaçons à une alimentation en eau chaude. S'assurer que tous les restricteurs d'eau chaude installés pour les autres appareils fonctionnent (clapets de non-retour sur robinets d'éviers, lave-vaisselle, etc.)
- Si la pression de l'eau dépasse la pression maximale recommandée de (80 psi/552 kPa), se procurer un régulateur de pression d'eau auprès d'un distributeur Manitowoc.

- Installer un robinet d'arrêt de l'eau pour les lignes d'eau de fabrication de glaçons.
- Isoler les lignes d'arrivée d'eau pour éviter les problèmes de condensation.


RACCORDEMENTS D'ÉVACUATION

Suivre ces directives lors de l'installation des conduites d'évacuation pour empêcher l'eau de retourner s'écouler dans la machine à glaçons et dans le bac de stockage :

- Les lignes d'évacuation doivent avoir une inclinaison de 2,5 cm par mètre (1,5 pouce/5 pieds) et ne doivent pas créer de siphons.
- Le siphon de sol doit être suffisamment grand pour recevoir l'eau provenant de toutes les évacuations.
- La ligne de refoulement de pompe d'évacuation doit se terminer à un drain de site ouvert.
- Montée maximum – 3,7 m (12 pieds)
- Tuyauterie maximum – 30,5 m (100 pieds)

Hauteur approx. du drain de la machine à glaçons	
Installation standard	76 mm (3")
Installation avec pieds en option	179 mm (7")

DIMENSIONNEMENT/RACCORDEMENT DES CONDUITES D'ALIMENTATION EN EAU ET D'ÉVACUATION

 **Attention**

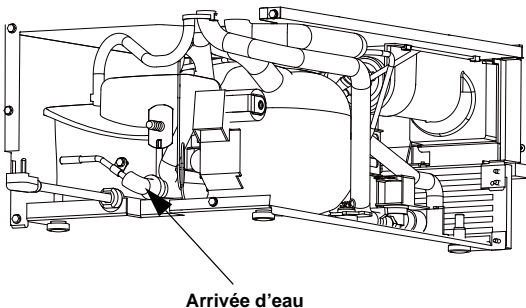
La tuyauterie doit être conforme aux codes locaux et régionaux.

Emplacement	Température de l'eau	Pression d'eau	Raccordement de la machine à glaçons	Dimension de tubulure jusqu'à raccordement de machine à glaçons
Arrivée d'eau pour la fabrication de glaçons	1,6 °C (35 °F) Mini 32,2 °C (90 °F) Maxi	137,9 kPa (20 psi) Min. 551,5 kPa (80 psi) Max.	Tubulure en cuivre de 0,64 cm (1/4") DI	0,64 cm (1/4") diamètre intérieur minimum
Évacuation du bac de fabrication de glaçons	---	---	Barbelle de tuyau 1,9 cm (3/4")	1,9 cm (3/4") diamètre intérieur minimum
Pompe de purge	---	---	Tuyau de 0,96 cm (3/8")	DI minimum de 0,96 cm (3/8")

NOTE : Si la température de l'air est inférieure à 15,5 °C (60 °F), la température de l'eau doit être égale ou supérieure à 10 °C (50 °F).

Procédure d'installation étape par étape

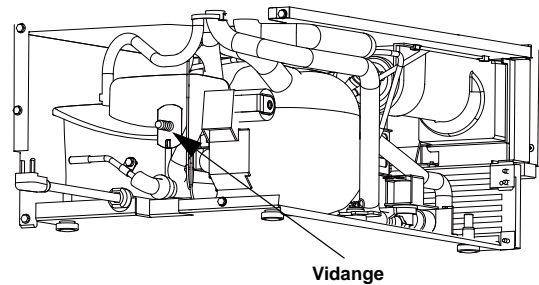
1. Préparer le site en suivant les instructions sous la section Alimentation électrique et la section Conditions requises d'alimentation d'eau et de vidange.
2. Retirer la machine à glaçons du carton.
3. Vérifier qu'elle n'est pas endommagée.
4. Retirer le paquet documentation/garantie et le tuyau d'évacuation de l'intérieur de la machine à glaçons.
5. Ajuster les patins de nivellement (ou installer les pieds en option).
6. Inverser la porte le cas échéant. Voir la section Inversion de l'ouverture de porte à la page 32.
7. Pour une évacuation par gravité, installer le tuyau d'évacuation sur l'arrière de la machine à glaçons et l'acheminer vers le drain de site ouvert. Pour la méthode de pompe d'évacuation en option, voir la section Option pompe d'évacuation à la page 32. Consulter la section Conditions requises d'alimentation d'eau et de vidange à la page 30.



8. Utiliser un raccord de compression pour connecter l'arrivée d'eau sur l'arrière de la machine à glaçons à la ligne d'eau froide de DI 1/4" préparée. Consulter la section Conditions requises d'alimentation d'eau et de vidange à la page 30.
9. Ouvrir le robinet d'arrêt sur la conduite d'eau.

Attention

Vérifier toutes les connexions visibles pour présence de fuites éventuelles.



10. Brancher la fiche électrique dans la prise polarisée (à trois broches) mise à la terre. Voir la section Alimentation électrique à la page 29.

Avertissement

La machine à glaçons doit être mise à la terre conformément aux codes de l'électricité nationaux et locaux. N'utiliser ni de rallonge ni d'adaptateur.

Avertissement

Des connexions d'alimentation en eau et d'évacuation inappropriées peuvent entraîner des blessures corporelles et des dommages matériels considérables. Ces connexions sont la responsabilité du propriétaire/opérateur.

11. Remettre la machine à glaçons en place et vérifier sa mise à niveau une nouvelle fois. Effectuer tout réglage nécessaire.
12. Préparer la solution désinfectante et désinfecter la machine à glaçons conformément aux étapes 5 et 6 de la Procédure de nettoyage/désinfection en place.
13. Mettre un gallon d'eau froide dans un conteneur qui se versera facilement sous les obturateurs d'eau relevés. Ouvrir les obturateurs et ajouter 3,8 l (1 gal) d'eau froide.
14. Appuyer sur le bouton Power [Alimentation].
15. À la mise en service initiale, la machine à glaçons aura besoin approximativement de 30 minutes pour congeler les glaçons et jusqu'à 5 minutes pour les démouler.

Option pompe d'évacuation

Avertissement

Mettre la machine à glaçons hors tension avant de continuer.

1. Retirer les vis du couvercle supérieur et enlever le couvercle. Retirer les vis du panneau arrière et soulever le panneau.
2. Assembler le tube de sortie et le tube de ventilation sur la pompe d'évacuation.
3. Brancher l'ensemble de câbles de la pompe d'évacuation dans l'ensemble de câbles de la machine à glaçons. Faire glisser la pompe à évacuation dans la cavité.
4. Échanger le tube d'évacuation du bac existant contre le tube d'évacuation du bac emballé avec la pompe d'évacuation.
5. Acheminer le tube de ventilation et le tube de sortie.
6. Remonter la machine à glaçons.

NOTE : Voir les instructions emballées avec la pompe d'évacuation pour toute information détaillée.

Attention

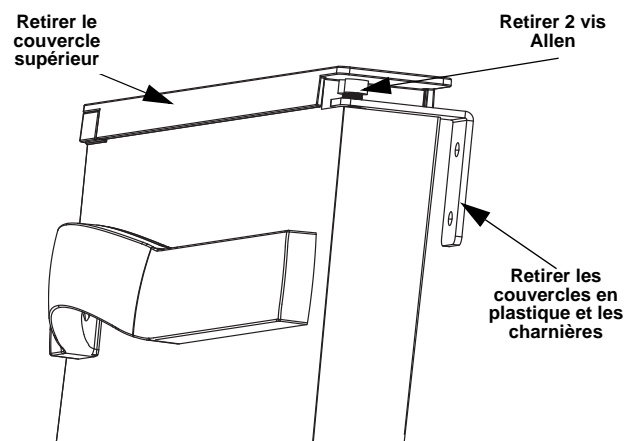
Lors de l'activation, s'assurer de bien vérifier toutes les connexions pour présence éventuelle de fuites d'eau.

Inversion de l'ouverture de porte

1. Retirer le couvercle supérieur de la porte – Utiliser une spatule pour soulever le chant intérieur du couvercle de porte supérieur vers l'extérieur pour le dégager du panneau de porte. Répéter pour le couvercle inférieur.
2. Libérer la porte de la charnière supérieure – Retirer deux vis Allen du haut de la porte et soulever le panneau de porte des deux vis Allen inférieure.

NOTE : Il y a des rondelles en nylon pour chaque vis Allen inférieure et une bague en plastique pour la vis extérieure, ne pas perdre ces pièces car elles permettent une ouverture uniforme de la porte.

3. Retirer les couvercles en plastique des charnières supérieure et inférieure, et retirer les vis maintenant les charnières. Remettre les vis dans les trous après avoir retiré les charnières.
4. Retirer les vis existantes de l'armoire pour remonter les charnières sur le côté opposé.
5. Installer les charnières supérieure et inférieure dans leur nouvel emplacement.
6. Installer les vis Allen inférieures, les rondelles en nylon et le couvercle de vis en plastique (sur la vis extérieure).
7. Avant d'installer la porte, il y a une autre bague en plastique pour la vis Allen extérieure supérieure, retirer du haut de la porte et remonter sur le côté opposé.
8. Placer la porte sur les deux vis inférieures.
9. Fixer le haut de la porte avec les vis Allen retirées à l'étape 2.
10. Remonter les couvercle supérieur et inférieur sur la porte. Insérer les goupilles avant et les enclencher en place.
11. Inverser la poignée de porte – Desserrer 3 vis du panneau de porte intérieure jusqu'à ce que la poignée se dégage. Faire pivoter la poignée de porte de 180 degrés et serrer les vis.



Liste de vérification d'installation

- | | | | |
|--------------------------|---|--------------------------|--|
| <input type="checkbox"/> | La machine à glaçons est-elle à niveau ? | <input type="checkbox"/> | Quand installée, la pompe d'évacuation fonctionne-t-elle correctement, met-elle sous et hors tension, et l'interrupteur de sécurité arrête-t-il la machine à glaçons ? |
| <input type="checkbox"/> | Tout l'emballage interne a-t-il été retiré ? | <input type="checkbox"/> | GFCI requis – Est-il d'un type disjoncteur et non pas d'un type prise ? |
| <input type="checkbox"/> | Tous les raccordements électriques et d'eau ont-ils été effectués ? | <input type="checkbox"/> | La machine à glaçons est-elle branchée dans une prise polarisée correctement mise à la terre ? |
| <input type="checkbox"/> | La tension d'alimentation a-t-elle été testée et vérifiée par rapport à la valeur nominale indiquée sur la plaque signalétique ? | <input type="checkbox"/> | Les connexions d'eau et d'évacuation ont-elles été examinées pour fuites éventuelles ? |
| <input type="checkbox"/> | Y a-t-il un espace approprié autour de la machine à glaçons pour la circulation d'air ? | | |
| <input type="checkbox"/> | La machine à glaçons est-elle mise à la terre et la polarité est-elle correcte ? | | |
| <input type="checkbox"/> | La machine à glaçons a-t-elle été installée là où des températures ambiantes resteront dans la fourchette de 10 à 43 °C (50 à 110 °F) ? | | |
| <input type="checkbox"/> | La machine à glaçons a-t-elle été installée là où la température d'eau entrante restera dans la fourchette de 2 à 32 °C (35 à 90 °F) ? | | |
| <input type="checkbox"/> | La conduite d'évacuation de la machine à glaçons est-elle acheminée vers un drain de site ouvert ? | | |
| <input type="checkbox"/> | Tous les fils électriques sont-ils exempts de contact des lignes de réfrigération et de l'équipement mobile ? | | |
| <input type="checkbox"/> | Le propriétaire/l'opérateur ont-ils été informés de l'entretien et de l'utilisation du nettoyant et du désinfectant Manitowoc ? | | |
| <input type="checkbox"/> | La CARTE DE GARANTIE DU PROPRIÉTAIRE a-t-elle été remplie ? | | |
| <input type="checkbox"/> | La machine à glaçons et le bac ont-ils été désinfectés ? | | |

NOTE : Si la température de l'air est inférieure à 15,5 °C (60 °F), la température de l'eau doit être égale ou supérieure à 10 °C (50 °F).

Avant la mise en marche de la machine à glaçons

Désinfecter la machine à glaçons.

Toutes les machines à glaçons Manitowoc sont mises en route et ajustées en usine avant l'expédition. Normalement, les nouvelles installations ne requièrent aucun ajustement.

Pour garantir un bon fonctionnement, suivre les Vérifications opérationnelles à la Section 3 du présent manuel. La mise en marche de la machine à glaçons et exécuter les contrôles opérationnels sont la responsabilité du propriétaire/de l'opérateur.

Les réglages et les procédures de maintenance indiqués dans ce manuel ne sont pas couverts par la garantie.



Avertissement **Situation comportant un risque** **de blessure corporelle**

Ne pas utiliser un équipement qui aura été mal utilisé, abusé, négligé, endommagé ou dont les spécifications originales de fabrication auront été altérées/modifiées.

Section 3

Fonctionnement

Gamme d'opération

En fonction des conditions ambiantes et de la température de l'alimentation en eau froide, le processus de fabrication de glaçons prendra approximativement 30 minutes.

1. Mise en marche initiale ou Mise en marche après arrêt automatique - remplissage d'eau

Avant la mise en marche du compresseur, le robinet d'arrivée d'eau se mettra sous tension pour purger l'eau ancienne du système pendant environ 3 minutes.

2. Mise en marche du système de réfrigération

Le compresseur se met en marche après le cycle de remplissage d'eau et reste en marche pendant les cycles de congélation et de démoulage. Le moteur du ventilateur de condenseur et tourne pendant le cycle de congélation.

3. Congélation

La pompe à eau vaporise de l'eau dans les cupules inversées. L'eau se congèle couche par couche, jusqu'à formation d'un glaçon dans chaque cupule. Le système de contrôle ajustera la longueur du cycle de congélation aux conditions.

4. Démoulage

La pompe à eau s'arrête et le robinet d'arrivée d'eau se met en marche pour faciliter le démoulage et remplir le puisard d'eau. L'évaporateur est chauffé, permettant aux glaçons de se libérer de l'évaporateur et de tomber dans le bac de stockage. Le système de commande ajustera la longueur du cycle de démoulage aux conditions et réglera si le ventilateur de condenseur fonctionne.

À la fin du cycle de démoulage, la machine à glaçons lancera un autre cycle de congélation (Étape 3).

5. Arrêt automatique

Le niveau des glaçons dans le bac de stockage contrôle l'arrêt de la machine à glaçons. Lorsque le bac est plein, les glaçons entreront en contact avec la douille d'ampoule de thermostat de bac. L'ampoule de thermostat de bac refroidit, ce qui arrête la machine à glaçons. La machine à glaçons reste arrêtée jusqu'à ce que les glaçons n'entrent plus en contact avec la douille d'ampoule de thermostat de bac et que l'ampoule de thermostat chauffe. L'augmentation de température remettra la machine à glaçons en marche (Étape 1).

Panneau de commande

FONCTIONS

Bouton alimentation (vert)

Appuyer sur le bouton « Power » [alimentation] mettra la machine à glaçons sous tension et allumera le voyant vert. Appuyer sur le bouton « Power » une seconde fois pour mettre la machine à glaçons hors tension.

Voyant de fabrication de glaçons automatique (bleu)

Ce voyant est sous tension lorsque la machine à glaçons est en position de fabrication de glaçons. Le voyant est éteint lorsque la machine à glaçons est en cycle Clean [Nettoyage].

Mise en marche automatique

Appuyer sur le bouton « Mise en marche automatique » initiera un délai de temporisation. La machine à glaçons ne fonctionnera pas jusqu'à l'expiration du délai.

- Appuyer sur le bouton une fois mettra le voyant de 2 heures sous tension et initiera un délai de deux heures.
- Appuyer sur le bouton une deuxième fois mettra le voyant de 4 heures sous tension et initiera un délai de quatre heures.
- Appuyer sur le bouton une troisième fois mettra le voyant de 8 heures sous tension et initiera un délai de huit heures.
- Appuyer sur le bouton une quatrième fois annulera le délai de temporisation.

Clean [Nettoyage] (Vert)

Appuyer sur le bouton « Clean » [nettoyage] initiera un cycle de nettoyage et mettra le voyant « Fabrication de glaçons automatique ». Le voyant propre clignotera pendant le cycle de nettoyage pour indiquer le moment approprié pour ajouter le nettoyant ou le désinfectant de machine à glaçons.

Remplacer le filtre (rouge)

Lorsque la machine à glaçons termine 8 000 cycles de congélation/démoulage, le voyant se mettra sous tension pour indiquer que le filtre a besoin d'être remplacé. Appuyer sur le bouton « Clean » [Nettoyage] pendant 6 secondes réinitialisera le compteur et mettra le voyant hors tension.

MINUTERIES DE SÉCURITÉ

Le panneau de commande comporte les minuteries de sécurité non réglables suivantes :

- Le cycle initial est 5 minutes plus long que les cycles suivants.
- La machine à glaçons est verrouillée dans le cycle de congélation pendant 10 minutes (15 minutes pour le cycle initial) avant de pouvoir lancer le cycle de démoulage.
- Le temps de congélation maximum est de 120 minutes après quoi le tableau de commande lance automatiquement un cycle de démoulage (Étape 4).
- Le temps de démoulage maximum est de 5 minutes après quoi le tableau de commande lance automatiquement un cycle de congélation.

Vérifications opérationnelles

GÉNÉRALITÉS

Les machines à glaçons Manitowoc sont mises en route et ajustées en usine avant l'expédition. Normalement, les nouvelles installations ne requièrent aucun ajustement.

Pour garantir un bon fonctionnement, toujours suivre les Vérifications opérationnelles :

- lors de la mise en marche de la machine à glaçons pour la première fois
- après une période prolongée hors service
- après le nettoyage et la désinfection

NOTE : Les réglages périodiques et procédures d'entretien ne sont pas couverts par la garantie.

NIVEAU D'EAU

La machine à glaçons maintient le niveau d'eau correct. Le niveau d'eau n'est pas réglable.

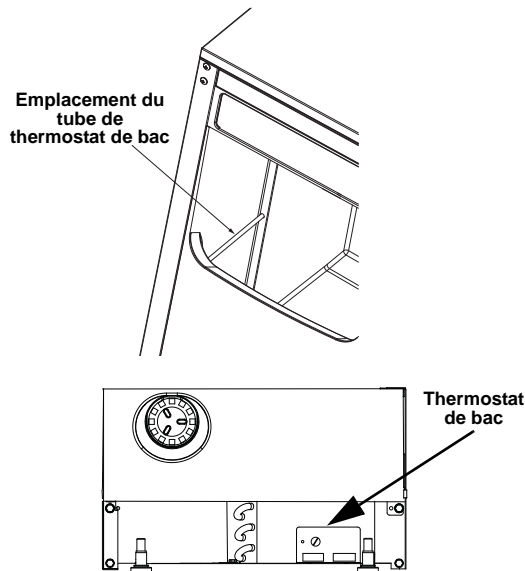
RÉGLAGE DU THERMOSTAT DE BAC

Le thermostat de bac arrête la machine à glaçons lorsque le bac est plein. Tourner le thermostat vers la gauche pour diminuer le niveau de glaçons dans le bac ou vers la droite pour augmenter le niveau de glaçons dans le bac.

TESTER ET AJUSTER LE THERMOSTAT DE BAC

Le thermostat de bac arrête la machine à glaçons lorsque le bac est plein. Il est pré-réglé pour des températures ambiantes normales et il n'est généralement pas nécessaire de l'ajuster.

Le thermostat fonctionne correctement si, lorsque trois glaçons sont placés sur le tube de thermostat pendant 5 minutes, la machine à glaçons s'arrête. La machine à glaçons doit se remettre en marche 5 minutes après avoir retiré les glaçons.



Si la machine à glaçons s'arrête avant que le bac soit plein ou fonctionne après que le bac soit plein, les températures ambiantes sont probablement trop élevées ou trop basses et le thermostat de bac peut être ajusté comme suit :

Avertissement

PIÈCES EN MOUVEMENT DANGEREUSES

La machine à glaçons est sous tension pendant cette procédure. Éviter tout contact avec la pale de ventilateur et les branchements électriques.

1. Pour accéder au thermostat, retirer les deux vis maintenant la grille frontale et retirer la grille.
2. Faire tourner le thermostat vers la gauche pour diminuer le niveau de glaçons avant l'arrêt automatique. Le faire tourner vers la droite pour augmenter le niveau de glaçons avant l'arrêt automatique.
3. Remonter le panneau et la grille en plastique.

RÉGLAGE DU POIDS DES GLAÇONS

Le poids de glaçons peut être augmenté à partir du réglage d'usine en ajustant le temps de finition.

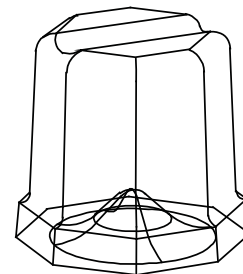
Contrôle additionnel de temps de finition :

1. Appuyer sur le bouton Power [alimentation] et le maintenir enfoncé pendant 5 secondes.
2. Compter les clignotements du voyant de fabrication de glaçons automatique. Le voyant clignotera une fois pour chaque minute additionnelle du temps de cycle de congélation.

Ajuster le temps de finition

Ajuster en incréments de 1 minute et laisser la machine à glaçons effectuer plusieurs cycles de congélation/démoulage, puis inspecter les glaçons. Si un poids de glaçons plus lourd est désiré, ajouter une autre minute au temps de congélation et répéter le processus.

1. Appuyer sur le bouton Power [alimentation] et le maintenir enfoncé.
2. Appuyer et relâcher le bouton Clean [nettoyage] une fois pour chaque minute additionnelle de temps de cycle de congélation souhaité.
3. Cinq minutes est le temps de congélation additionnel maximum pouvant être ajouté. Appuyer sur le bouton Clean [nettoyage] à 6 reprises pour réinitialiser le temps de finition à zéro minute additionnelle.



Le poids d'un glaçon augmente ou diminue en fonction de la quantité d'alvéoles dans le glaçon

Section 4

Entretien

Généralités

Le propriétaire est responsable de l'entretien de la machine à glaçons conformément aux instructions figurant dans le présent manuel. Les procédures d'entretien ne sont pas couvertes par la garantie.

 **Avertissement**

En cas de non compréhension des procédures ou consignes de sécurité à respecter, contacter le représentant de service local Manitowoc pour effectuer les procédures de maintenance.

Nous recommandons d'effectuer les procédures de maintenance suivantes au moins une fois tous les six mois pour assurer un fonctionnement fiable sans problème et une production maximum de glaçons.

Entretien	Hebdomadaire	Deux fois par an	Une fois par an	Après un arrêt prolongé	À la mise en marche
Nettoyage d'extérieur d'armoire	X			X	X
Désinfection du bac de glaçons		X		X	X
Nettoyage de l'évaporateur		X	X	X	
Désinfection de l'évaporateur		X	X	X	X
Nettoyage du serpentín du condenseur		X	X	X	
Changement du filtre à eau		X	X	X	
Contrôle de qualité des glaçons	X		X	X	X

Nettoyage et désinfection intérieurs

GÉNÉRALITÉS

Effectuer une procédure de nettoyage/désinfection en place une fois par mois et une procédure de nettoyage/désinfection tous les 12 mois pour un fonctionnement efficace. Si la machine à glaçons requiert un nettoyage et une désinfection plus fréquents, contacter une entreprise de maintenance qualifiée pour tester la qualité de l'eau et recommander un traitement approprié de l'eau. Une machine à glaçons extrêmement sale doit être démontée pour le nettoyage et la désinfection.

Attention

Tout dommage de l'évaporateur de machine à glaçons dû à une utilisation de produits chimiques inappropriés n'est pas couvert par la garantie. Utiliser uniquement le nettoyant (référence 000000084) et le désinfectant (référence 94-0565-3) pour machine à glaçons Manitowoc.

PROCÉDURE DE NETTOYAGE/DÉSINFECTION EN PLACE

Cette procédure permet un nettoyage en place mensuel de toutes les surfaces qui entrent en contact avec le système d'eau. La machine à glaçons requiert un démontage et un nettoyage/une désinfection au moins une fois tous les 12 mois. La qualité de l'alimentation en eau potable peut nécessiter des intervalles de nettoyage plus fréquents.

Utiliser le nettoyant de machine à glaçons pour éliminer le tartre de chaux et tout autre dépôt minéral. Le désinfectant pour machine à glaçons désinfecte et élimine les algues et tout film biologique.

NOTE : Retirer tous les glaçons du bac.

Avertissement

Respecter toutes les étiquettes et tous les avertissements sur les bouteilles de nettoyant et de désinfectant.

Étape 1: Préparer 120 ml (4 oz) de nettoyant non dilué pour machines à glaçons Manitowoc (référence 000000084 uniquement) dans un conteneur qui rentrera facilement sous les obturateurs d'eau relevés. Consulter la page 41 pour identifier les obturateurs d'eau.

Modèle	Quantité de nettoyant
SM50	120 ml (4 oz.)

Étape 2: Appuyer sur l'interrupteur Clean [nettoyage]. La machine à glaçons lancera un démoulage de 2 minutes pour retirer tout glaçon restant de l'évaporateur.

Étape 3: Retirer tous les glaçons du bac.

Étape 4: Patienter 3 minutes jusqu'à ce que le voyant Clean [nettoyage] clignote puis ajouter le nettoyant Manitowoc préparé en soulevant les obturateurs d'eau et en versant directement dans la zone de vaporisation.

Étape 5: La machine à glaçons temporisera automatiquement un cycle de nettoyage de dix minutes, suivi par huit cycles de rinçage et s'arrêtera. Le voyant Clean [nettoyage] s'éteindra pour indiquer que le cycle de nettoyage est terminé. Le cycle complet dure approximativement 30 minutes.

Étape 6: Préparer 15 ml (1/2 oz) (1 cuillère à soupe) de désinfectant pour machines à glaçons Manitowoc (référence 94-0565-3 uniquement) dans un conteneur qui ira dans la même zone.

Modèle	Quantité de désinfectant
SM50	15 ml (1/2 oz.)

Étape 7: Appuyer sur l'interrupteur Clean [nettoyage]. Patienter 3 minutes jusqu'à ce que le voyant Clean [nettoyage] clignote puis ajouter le désinfectant Manitowoc préparé en soulevant les obturateurs d'eau et en versant directement dans la zone de vaporisation. La machine à glaçons temporisera automatiquement un cycle de désinfection de dix minutes, suivi par huit cycles de rinçage et s'arrêtera. Le voyant Clean [nettoyage] s'éteindra pour indiquer que le cycle de désinfection est terminé. Le cycle complet dure approximativement 30 minutes.

NOTE : La machine à glaçons continuera automatiquement du point préalable avant le lancement du cycle de nettoyage.

- Si la machine à glaçons était en cycle de fabrication de glaçons, le tableau de commande recommencera à fabriquer des glaçons.
- Si la machine à glaçons était en cycle Off [arrêt], le tableau de commande s'éteindra.

Étape 8: Mélanger une solution de 7,4 ml (1/4 oz.) de désinfectant et de 1,9 l (1/2 gallon) d'eau. À l'aide d'un vaporisateur, d'une éponge ou d'un chiffon, désinfecter le bac. Il n'est pas nécessaire de rincer.

PROCÉDURE DE NETTOYAGE

Utiliser le nettoyant pour machine à glaçons pour éliminer la chaux de tartre et tout autre dépôt minéral. Le désinfectant pour machine à glaçons désinfecte et élimine les algues et tout film biologique.

NOTE : Retirer tous les glaçons du bac.

Étape 1: Préparer 120 ml (4 oz) de nettoyant non dilué pour machines à glaçons Manitowoc (référence 000000084 uniquement) dans un conteneur qui rentrera facilement sous les obturateurs d'eau relevés.

Modèle	Quantité de nettoyant
SM50	120 ml (4 oz.)

Étape 2: Appuyer sur l'interrupteur Clean [nettoyage]. La machine à glaçons lancera un démoulage de 2 minutes pour retirer tout glaçon restant de l'évaporateur.

Étape 3: Retirer tous les glaçons du bac.

Étape 4: Patienter 3 minutes jusqu'à ce que le voyant Clean [nettoyage] clignote puis ajouter le nettoyant Manitowoc préparé en soulevant les obturateurs d'eau et en versant directement dans la zone de vaporisation. La machine à glaçons temporisera automatiquement un cycle de nettoyage de dix minutes, suivi par huit cycles de rinçage et s'arrêtera. Le voyant Clean [nettoyage] s'éteindra pour indiquer que le cycle de nettoyage est terminé. Le cycle complet dure approximativement 30 minutes.

Étape 5: Lorsque le processus de nettoyage s'arrête, débrancher l'alimentation et retirer toutes les pièces décrites dans la section Retrait des pièces pour le nettoyage/la désinfection.

**Avertissement**

Respecter toutes les étiquettes et tous les avertissements sur les bouteilles de nettoyant et de désinfectant.

Étape 6: Mélanger 473 ml (16 oz) de nettoyant avec 8 l (2 gal) d'eau chaude.

Attention

Ne pas mélanger les solutions nettoyantes et désinfectantes. Utiliser ces solutions sans tenir compte des instructions figurant sur les étiquettes est une violation de la loi fédérale.

Modèle	Quantité de nettoyant	Quantité d'eau
SM50	473 ml (16 oz.)	8 l (2 gal)

Étape 7: Placer tous les composants déposés dans un évier pour les nettoyer. Utiliser la moitié du mélange nettoyant/eau pour nettoyer tous les composants. La solution nettoyante mousse lorsqu'elle est en contact avec du tartre ou des dépôts minéraux ; lorsque la formation de mousse s'arrête, utiliser une brosse en nylon à poils souples, une éponge ou un chiffon (PAS une brosse métallique) pour nettoyer soigneusement les pièces. Démonter la barre de vaporisation, retirer les buses et inserts, et les faire tremper pendant 5 minutes. Pour les pièces fortement entartrées, faire tremper dans la solution entre 15 et 20 minutes. Rincer tous les composants à l'eau claire.

Étape 8: Pendant que les composants trempent, utiliser l'autre moitié de la solution de nettoyant/eau et une brosse en nylon ou un chiffon pour nettoyer l'intérieur du bac à glaçons. Nettoyer l'intérieur de la porte, le joint de porte, le bac, le dessus de l'évaporateur et le bac d'évaporateur. Rincer complètement toutes les zones à l'eau claire.

Étape 9: Mélanger 30 ml (1 oz) de désinfectant avec 8 l (2 gal) d'eau chaude.

Modèle	Quantité de désinfectant	Quantité d'eau
SM50	1 oz (30 ml)	2 gal (8 l)

Étape 10: Utiliser la moitié de la solution désinfectant/eau pour désinfecter tous les composants retirés. Utiliser un chiffon ou une éponge pour appliquer abondamment la solution sur toutes les surfaces des pièces retirées ou faire tremper les pièces retirées dans la solution désinfectant/eau. Il n'est pas nécessaire de rincer.

Étape 11: Utiliser l'autre moitié de la solution désinfectant/eau et une éponge ou un chiffon pour désinfecter l'intérieur du bac à glaçons. Désinfecter l'intérieur de la porte, le joint de porte, le bac, le dessus de l'évaporateur et le bac d'évaporateur. Il n'est pas nécessaire de rincer.

Étape 12: Remettre tous les composants retirés en place.

Étape 13: Préparer 15 ml (1/2 oz) de désinfectant non dilué Manitowoc.

Étape 14: Remettre la machine à glaçons sous tension puis appuyer sur l'interrupteur Clean [nettoyage].

Étape 15: Patienter 3 minutes jusqu'à ce que le voyant Clean [nettoyage] clignote puis ajouter le désinfectant Manitowoc préparé en soulevant les obturateurs d'eau et en versant directement dans la zone de vaporisation. La machine à glaçons temporisera automatiquement un cycle de désinfection de dix minutes, suivi par huit cycles de rinçage et s'arrêtera. Le voyant Clean [nettoyage] s'éteindra pour indiquer que le cycle de désinfection est terminé. Le cycle complet dure approximativement 30 minutes.

NOTE : La machine à glaçons continuera automatiquement du point préalable avant le lancement du cycle de nettoyage.

- A. Si la machine à glaçons était en cycle de fabrication de glaçons, le tableau de commande recommencera à fabriquer des glaçons.
- B. Si la machine à glaçons était en cycle Off [arrêt], le tableau de commande s'éteindra.

RETRAIT DES PIÈCES POUR LE NETTOYAGE/LA DÉSINFECTION

1. Couper l'alimentation électrique et l'eau à la machine à glaçons.

Avertissement

Mettre la machine à glaçons hors tension avant de continuer.

2. Retirer tous les glaçons du bac.
3. Retirer les composants qui doivent être nettoyés et désinfectés. Voir les procédures de dépose de ces pièces aux pages suivantes.

Avertissement

Porter des gants en caoutchouc et des lunettes de sécurité (et/ou un masque) lors de la manipulation du nettoyant ou du désinfectant.

4. Faire tremper la ou les pièces déposées dans une solution correctement mélangée de nettoyant.

Type de solution	Eau	Mélangée avec
Nettoyant	4 l (1 gal.)	240 ml (8 oz) de nettoyant
Désinfectant	8 l (2 gal.)	30 ml (1 oz) de désinfectant

5. Le nettoyant va mousser ; lorsque la formation de mousse s'arrête, utiliser une brosse en nylon à poils souples, une éponge ou un chiffon (PAS une brosse métallique) pour nettoyer soigneusement les pièces.

Attention

Ne pas immerger le moteur de la pompe à eau dans une solution nettoyante ou désinfectante.

6. Bien rincer toutes les pièces à l'eau claire.
7. Faire tremper les pièces déposées dans une solution correctement mélangée de désinfectant pendant 5 minutes.
8. Utiliser une brosse en nylon à poils souples, une éponge ou un chiffon (PAS une brosse métallique) pour désinfecter soigneusement les pièces.
9. Utiliser la solution désinfectante et une éponge ou un chiffon pour désinfecter (essuyer) l'intérieur de la machine à glaçons et le bac.
10. Il n'est pas nécessaire de rincer avec le désinfectant Manitowoc.
11. Remonter les pièces déposées.
12. Ouvrir l'alimentation en eau et électricité.

Couvercle supérieur

1. Retirer deux vis arrière.

⚠ Avertissement

Couper l'alimentation de la machine à glaçons au niveau du sectionneur électrique avant de continuer.

2. Faire glisser le couvercle vers l'arrière et le soulever.

Obturbateurs d'eau

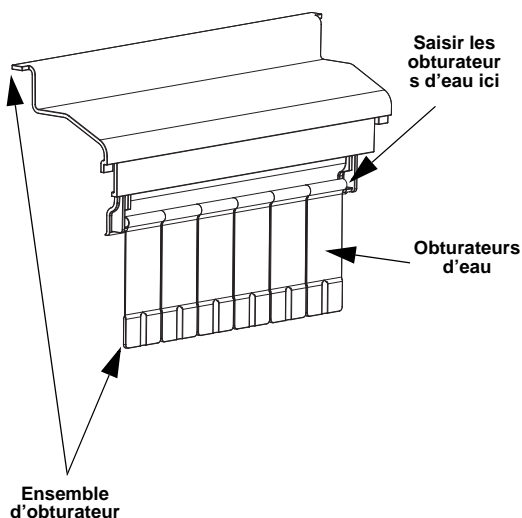
L'obturateur est conçu pour empêcher l'eau de vaporisation de s'échapper du compartiment de l'évaporateur.

Pour retirer uniquement les obturbateurs d'eau :

1. Saisir une extrémité de l'obturateur d'eau et soulever.
2. Faire pivoter l'obturateur d'eau et dégager l'autre extrémité.
3. Pour remonter dans la machine à glaçons, saisir une extrémité des obturbateurs d'eau, monter une extrémité, faire pivoter l'extrémité opposée et abaisser en position. S'assurer que les pattes sont bien sécurisées dans les rainures.

Pour déposer l'ensemble d'obturateur d'eau :

1. Faire glisser le bac d'évaporateur vers l'avant de 13 mm (1/2").
2. Relever l'ensemble d'obturateur bien droit.



⚠ Avertissement

Déposer les obturbateurs d'eau pendant que la pompe fonctionne permettra à l'eau de vaporiser à partir de la machine à glaçons. Couper l'alimentation de la machine à glaçons au niveau de la boîte de distribution électrique et couper l'alimentation en eau.

Éclairage du bac

Si la machine à glaçons est arrêtée pendant une longue période, le couvercle d'éclairage de bac doit être nettoyé et désinfecté. L'éclairage est fourni dans un but pratique. En cas de problèmes opérationnels d'éclairage, une ampoule d'appareil ménager de rechange peut être obtenue auprès d'une quincaillerie locale.

Grille frontale

⚠ Avertissement

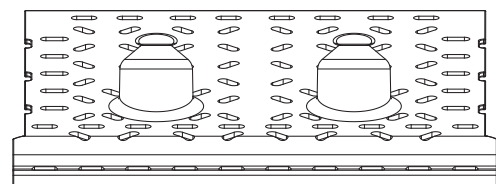
Couper l'alimentation de la machine à glaçons au niveau de la boîte de distribution électrique et couper l'alimentation en eau.

1. Retirer deux vis arrière.
2. Incliner le dessus vers l'avant et soulever.

Goulotte de glaçons

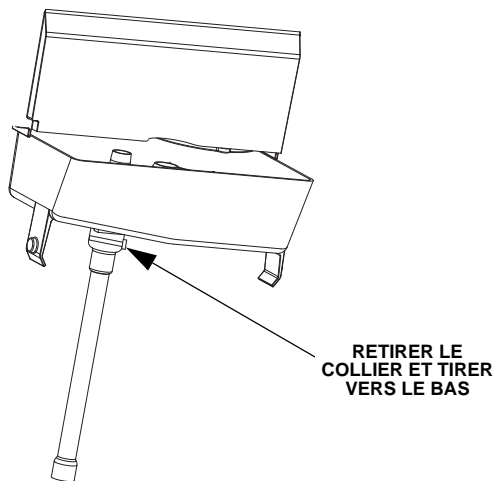
La goulotte de glaçons se trouve sur les buses de vaporisation et permet aux glaçons de tomber facilement dans le bac. Elle doit être fermement positionnée sur la barre de vaporisation, le chant avant à l'intérieur du bac à eau. Les buses de vaporisation doivent être alignées sur les orifices de vaporisation et ce, pour que l'eau de vaporisation ne tombe pas dans le bac.

1. Saisir l'orifice de vaporisation sortant d'une extrémité, soulever et retirer.
2. Pour remonter la goulotte de glaçons, saisir l'orifice de vaporisation saillant et positionner sur l'ensemble de distribution d'eau. S'assurer que les supports arrière se trouvent sur la barre de vaporisation et que le chant avant se trouve à l'intérieur du bac à eau.

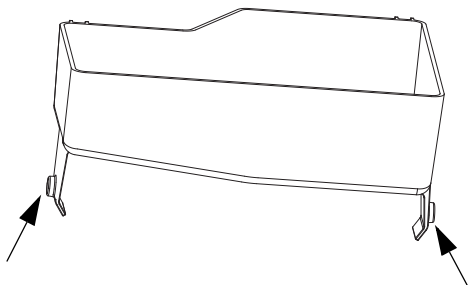


Tube de trop-plein d'évacuation de puisard

1. Retirer le collier.
2. Appuyer pour retirer le tube de trop-plein et la tubulure comme un tout. L'eau du bac de puisard s'évacuera dans le bac.
3. Retirer le tube de trop-plein de la tubulure en vinyle en tirant.

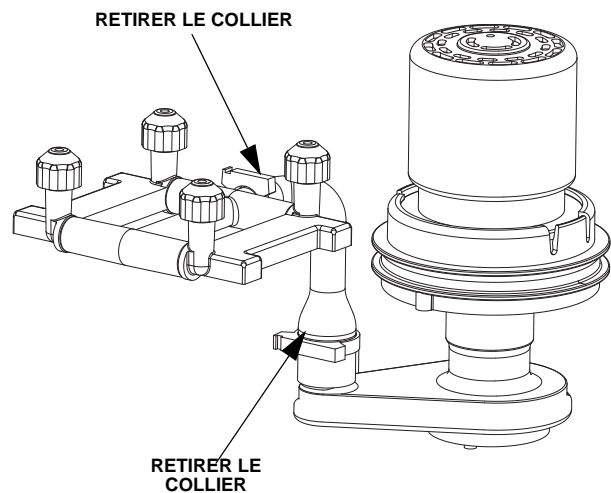
**Bac à eau**

1. Appuyer sur les languettes sur la droite et la gauche du bac à eau.
2. Laisser le bac à eau descendre en le tirant vers l'avant pour désengager les chevilles arrière.

**Barre de vaporisation, pompe à eau et tuyau****⚠ Avertissement**

Couper l'alimentation de la machine à glaçons au niveau de la boîte de distribution électrique et couper l'alimentation en eau.

1. Retirer le collier de barre de vaporisation et la barre de vaporisation.
2. Saisir la pompe et la tirer vers le bas jusqu'à ce que la pompe à eau se désengage et que le connecteur électrique soit visible.
3. Débrancher le connecteur électrique.
4. Retirer la pompe à eau de la machine à glaçons.
5. Retirer le collier du tuyau à retirer de la pompe.
6. Ne pas faire tremper la pompe à eau dans une solution nettoyante ou désinfectante. Essuyer la pompe et la base de la machine à glaçons.

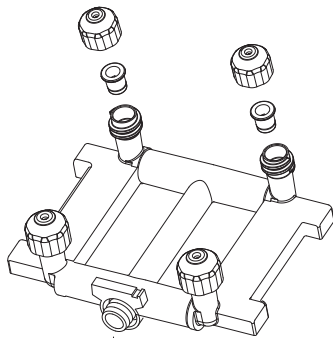


Démontage de la barre de vaporisation

La barre de vaporisation alimente l'eau aux cupules de fabrication de glaçons individuelles. L'eau provenant de la pompe à eau se vaporise à travers les buses, situées sur la portion supérieure des tubes.

1. Saisir une extrémité de la barre de vaporisation, soulever et retirer du siège formé dans le bac d'évaporateur.
2. Retirer le collier sur la tubulure d'arrivée d'eau en saisissant les deux oreillettes sur le clip et en les séparant.
3. Appliquer du lubrifiant de qualité alimentaire pour faciliter le remontage des composants de barre de vaporisation selon les besoins.
4. Pour remonter la barre de vaporisation, positionner la tubulure d'arrivée d'eau sur les orifices d'arrivée et appuyer sur les clips jusqu'à ce qu'ils soient bien serrés.
5. Repositionner l'ensemble sur le siège du bac à eau.

Les buses et inserts peuvent être enlevés pour le nettoyage en dévissant les buses. Les inserts se trouvent à l'intérieur des orifices de barre de vaporisation. La barre de vaporisation se démonte également pour un nettoyage aisé.



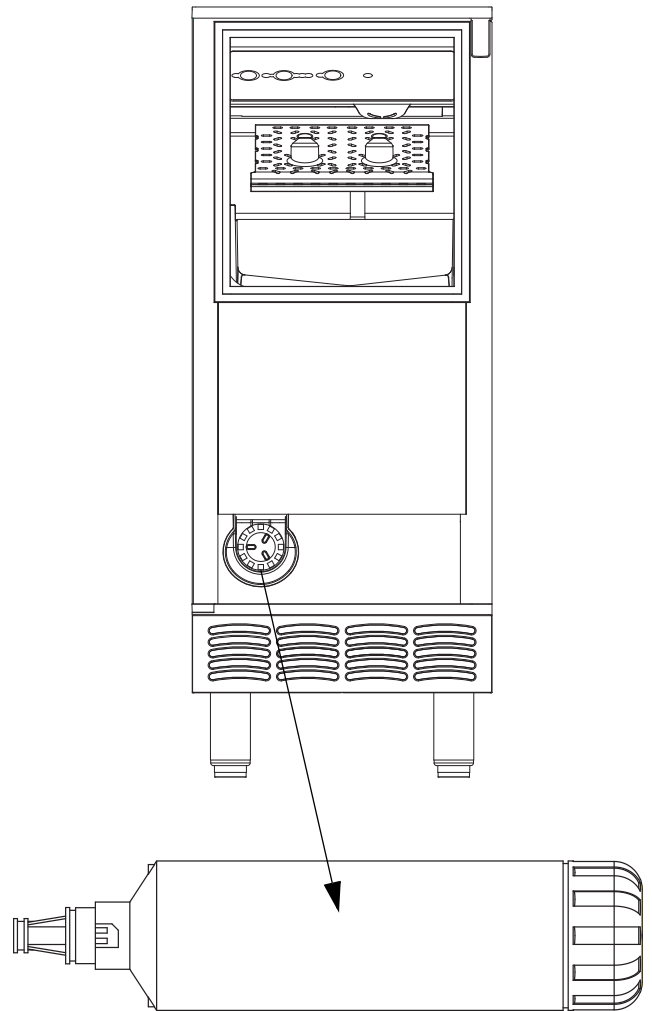
Retirer le
collier

Dépose de la barre de vaporisation

Filtre à eau

Pour remplacer le filtre à eau, il n'est pas nécessaire de couper l'eau entrante.

1. Faire tourner le filtre d'un quart de tour dans le sens des aiguilles d'une montre et il sortira tout seul.
2. Inverser le processus pour le remonter.



Remplacement du filtre à air

Nettoyage extérieur

Nettoyer la zone entourant la machine à glaçons aussi souvent qu'il le faut pour maintenir sa propreté et un fonctionnement efficace. Utiliser des nettoyants conçus pour être utilisés sur des produits en acier inoxydable.

Éponger la poussière et la saleté sur l'extérieur de la machine à glaçons avec de l'eau et un savon doux. Essuyer à l'aide d'un chiffon propre et doux.

Éliminer les taches incrustées à l'aide d'un tampon métallique inoxydable. Ne jamais utiliser de tampons métalliques ou abrasifs et ce, pour ne pas rayer les panneaux.

Nettoyage du condenseur

GÉNÉRALITÉS



Avertissement

Couper l'alimentation de la machine à glaçons au niveau des interrupteurs de distribution électrique avant de nettoyer le condenseur.

Un condenseur sale restreint le débit d'air, entraînant ainsi des températures de fonctionnement excessivement élevées. Ce qui réduit la production de glaçons et raccourcit la durée de vie des composants. Nettoyer le condenseur au moins tous les six mois. Suivre les étapes ci-dessous.

1. Déposer la grille frontale en retirant deux vis.
Nettoyer les ouvertures de grille avant de la remettre en place.
2. Nettoyer l'extérieur du condenseur à l'aide d'une brosse douce ou d'un aspirateur avec une brosse. Nettoyer de haut en bas, non pas latéralement. Faire attention de ne pas plier les ailettes de condenseur.
3. Éclairer une lampe de poche dans le condenseur pour inspecter toute présence éventuelle de saleté entre les ailettes. S'il reste de la saleté :
 - A. Souffler de l'air comprimé à travers les ailettes de condenseur. Cette procédure créera une poussière considérable et il vaut mieux l'effectuer à l'extérieur. Faire attention de ne pas plier les pales de ventilateur.
 - B. S'il reste de la saleté ou de la graisse entre les ailettes ou que les ailettes de condenseur sont pliées ou aplaties, consulter le représentant de service.

Mise hors service/Entreposage à long terme/Hivérization

GÉNÉRALITÉS

Prendre des précautions si la machine à glaçons doit être enlevée pour service pendant une période prolongée ou être exposée à des températures ambiantes de 0 °C (32 °F) ou moins.



Attention

Si de l'eau reste dans la machine à glaçons à des températures inférieures à 0 °C, des composants pourraient être gravement endommagés. Les dommages de cette nature ne sont pas couverts par la garantie.

Suivre la procédure ci-dessous.

MACHINES À GLAÇONS AUTONOMES REFROIDIES À L'AIR

1. Effectuer une procédure de nettoyage et de désinfection pour prévenir toute formation de moisissure.
2. Débrancher l'alimentation électrique au niveau du disjoncteur ou de l'interrupteur de distribution électrique.
3. Couper l'alimentation en eau.
4. Vider l'eau du bac à eau.
5. Débrancher et évacuer la conduite d'eau entrante de fabrication de glaçons à l'arrière de la machine à glaçons.
6. Déconnecter le tuyau en vinyle de la pompe à eau et le laisser se vider.
7. S'assurer que l'eau n'est pas piégée dans l'une des conduites d'eau ou d'évacuation. Utiliser de l'air comprimé pour souffler les conduites.
8. Utiliser un flacon vaporisateur et une solution de désinfectant/eau (0,50 oz/1 gal) et vaporiser toutes les surfaces intérieures. **Ne pas rincer**, laisser sécher à l'air.
9. Bloquer la porte partiellement ouverte pour permettre un échange d'air et prévenir toute formation de moisissure.

Section 5

Service Clientèle

Liste de vérification

En cas de problème pendant le fonctionnement de la machine à glaçons, suivre la liste de vérification ci-dessous avant de contacter le service technique. Les réglages périodiques et procédures d'entretien ne sont pas couverts par la garantie.

Problème	Cause possible	Mesure corrective
La machine à glaçons ne fonctionne pas	Absence d'alimentation électrique à la machine à glaçons	Remplacer le fusible/réinitialiser le disjoncteur/activer l'interrupteur principal ou brancher la machine à glaçons.
	L'interrupteur d'alimentation n'a pas été appuyé	Consulter la section 3 et mettre la machine à glaçons sous tension
	Thermostat de bac mal ajusté	Ajuster thermostat de bac, consulter la section 3
	Interrupteur de sécurité de pompe à évacuation est ouvert	Vérifier que la conduite n'est ni pliée ni pincée, puis appeler un réparateur
Machine à glaçons fonctionne mais ne produit pas de glaçons	Absence d'eau vers la machine à glaçons	Rectifier l'alimentation en eau
	Pression d'eau entrante incorrecte	La pression d'eau doit être de 138 - 552 kPA (20-80 psi)
	Buses de vaporisation bloquées par dépôt minéral	Nettoyer et désinfecter la machine à glaçons, consulter la section 4
	La température ambiante est trop élevée ou trop basse	La température ambiante doit être entre 10 °C et 43 °C (50° F et 110 °F)
Cycle de congélation est long – Faible production de glaçons	Température d'eau trop élevée	Connecter à une alimentation en eau froide, vérifier que les clapets antiretour dans les robinets et que les autres équipements fonctionnent correctement
	Condenseur sale	Nettoyer condenseur, voir section 4
	Une température d'air élevée entre dans le condenseur	La température ambiante ne doit pas être supérieure à 43 °C (110 °F)
	La crépine du robinet d'arrivée d'eau est sale	Retirer le robinet d'arrivée d'eau et nettoyer la crépine (voir Section 4)
	Le robinet d'arrivée d'eau est coincé ouvert ou fuit	Mettre la machine à glaçons hors tension, si l'eau continue à entrer dans la machine à glaçons, il faut remplacer le robinet d'arrivée d'eau – appeler un réparateur
	Le robinet d'arrivée d'eau ne fonctionne pas	Il faut remplacer le robinet d'arrivée d'eau, appeler un réparateur
	Problème de réfrigération	Contactez le service technique
Qualité de glaçons est médiocre – les cubes sont creux, incomplets ou blancs	La machine à glaçons est sale	Nettoyer et désinfecter la machine à glaçons, voir la section 4
	La filtration de l'eau est médiocre	Changer le filtre
	L'adoucisseur d'eau ne fonctionne pas correctement (le cas échéant)	Réparer l'adoucisseur d'eau
	Qualité médiocre de l'eau entrante	Contactez une entreprise de maintenance qualifiée pour tester la qualité de l'eau entrante et faire les recommandations de filtre appropriées
	La crépine du robinet d'arrivée d'eau est sale	Retirer le robinet d'arrivée d'eau et nettoyer la crépine (voir Section 4)

Garantie commerciale de la machine à glaçons

Manitowoc Ice, Inc. (ci-après appelée la « SOCIÉTÉ ») garantit, pendant une période de trente-six mois à compter de la date d'installation (exception faite de la limitation ci-dessous), que les nouvelles machines à glaçons fabriquées par la SOCIÉTÉ sont exemptes de tout défaut de matériaux ou de fabrication à condition d'une utilisation et d'entretien normaux et appropriés tels que spécifiés par la SOCIÉTÉ, et avec une installation et une mise en service appropriées conformes au manuel d'instructions fourni avec la machine à glaçons. La garantie de la SOCIÉTÉ ci-après relative au compresseur s'applique pendant vingt-quatre mois supplémentaires, à l'exclusion des frais de main d'œuvre, et relative à l'évaporateur pendant vingt-quatre mois supplémentaires, y compris les frais de main d'œuvre.

L'obligation de la SOCIÉTÉ en vertu de la présente garantie est limitée à la réparation ou au remplacement des pièces, des composants ou des ensembles qui, selon la SOCIÉTÉ, sont défectueux. La présente garantie est également limitée au coût des pièces, composants ou ensembles, et aux frais de main d'œuvre au salaire de base sur le lieu du service technique.

Les tarifs de taux de base et horaires, tels que publiés de temps à autre par la SOCIÉTÉ, s'appliquent à toutes les procédures de service. Les frais supplémentaires, y compris mais sans s'y limiter, le temps de déplacement, la majoration pour travail supplémentaire, le coût des matériaux, l'accès à la machine à glaçons ou son retrait, ou encore l'expédition, sont à la charge du propriétaire, tout comme le sont l'entretien, les réglages, le nettoyage et les achats de glaçons. Le travail couvert par la présente garantie doit être effectué par un représentant du service technique sous contrat de la SOCIÉTÉ ou par un organisme de service de réfrigération tel que qualifié et homologué par le distributeur local de la SOCIÉTÉ. La responsabilité de la SOCIÉTÉ en vertu de la présente garantie ne sera en aucun cas supérieure au prix d'achat réel payé par le client pour la machine à glaçons.

La garantie précédente ne s'appliquera pas à (1) toute pièce ou tout ensemble qui auront été altérés, modifiés ou changés ; (2) toute pièce ou tout ensemble qui auront été soumis à une mauvaise utilisation, un abus, une négligence ou des accidents ; (3) toute machine à glaçons qui aura été installée et/ou entretenue à l'encontre des instructions techniques fournies par la SOCIÉTÉ ; ou (4) toute machine à glaçons qui aura été initialement installée plus de cinq ans à compter de la date de production du numéro de série. La présente garantie ne s'applique pas si le système de réfrigération de la machine à glaçons est modifié par un condenseur, un récupérateur de chaleur ou d'autres pièces ou ensembles non fabriqués par la SOCIÉTÉ, sauf en cas de l'approbation écrite par la SOCIÉTÉ de ces modifications pour des emplacements spécifiques.

LA PRÉSENTE GARANTIE REMPLACE TOUTES LES AUTRES GARANTIES DE TOUTE SORTE, EXPRESSES OU TACITES, Y COMPRIS TOUTE GARANTIE IMPLICITE DE QUALITÉ MARCHANDE OU D'ADAPTATION À UN USAGE PARTICULIER. En aucun cas, la SOCIÉTÉ ne peut être tenue responsable des dommages spéciaux, indirects, accessoires ou consécutifs. Lors de l'échéance de la période de garantie, la responsabilité de la SOCIÉTÉ en vertu de la présente garantie viendra à échéance. La garantie précédente constitue la seule responsabilité de la SOCIÉTÉ et le recours exclusif du client ou de l'utilisateur.

Pour assurer un service de garantie prompt et permanent, la carte de garantie doit être remplie et envoyée à la SOCIÉTÉ dans les cinq (5) jours suivant la date d'installation.

Remplir ce qui suit et conserver cette information :

Distributeur/Revendeur _____

Référence de modèle _____ Numéro de série _____

Date d'installation _____

MANITOWOC ICE, INC.

2110 So. 26th St., P.O. Box 1720, Manitowoc, WI 54221-1720 USA

Téléphone : 920-682-0161 • Fax : 920-683-7585

Site Web - www.manitowocice.com

Formulaire 80-0375-3 Rév. 01-02

Garantie limitée résidentielle de la machine à glaçons

CE QUE COUVRE LA PRÉSENTE GARANTIE LIMITÉE

Sous réserve des exclusions et limitations ci-dessous, Manitowoc Foodservice (« Manitowoc ») garantit au client d'origine toute nouvelle machine à glaçons fabriquée par Manitowoc (le « Produit ») contre tout défaut de matériau ou vice de fabrication pendant la période de garantie décrite ci-dessous dans des conditions normales d'utilisation et d'entretien, et suite à une installation et une mise en service correctes conformément au manuel d'instructions fourni avec le Produit.

PÉRIODE DE CETTE GARANTIE LIMITÉE

<u>Produit couvert</u>	<u>Période de garantie</u>
Machine à glaçons	Douze (12) mois à compter de la date de vente

PERSONNES COUVERTES PAR CETTE GARANTIE LIMITÉE

La présente garantie limitée s'applique uniquement au client d'origine du Produit et n'est pas transférable.

OBLIGATIONS DE MANITOWOC ICE DANS LE CADRE DE CETTE GARANTIE LIMITÉE

En cas de défaut et de réception par Manitowoc d'une déclaration de dommage valide avant l'expiration de la période de garantie, Manitowoc doit, sur sa décision : (1) réparer le Produit à ses frais, y compris les frais de main d'œuvre standard en heures normales, (2) remplacer le Produit par un nouveau produit ou un produit équivalent à l'original ou (3) rembourser le prix d'achat du Produit. Les pièces de rechange sont garanties pendant 90 jours ou pour le reste de la période de garantie d'origine, si elle est plus longue. Les éléments précédents constituent l'unique obligation de Manitowoc et le recours exclusif du client en cas de rupture de la présente garantie limitée. La responsabilité de Manitowoc dans le cadre de la présente garantie limitée se limite au prix d'achat du Produit. Toutes dépenses supplémentaires, y compris mais sans s'y limiter, le temps de déplacement pour service, les frais de main d'œuvre d'heures supplémentaires ou de majoration, l'accessibilité au Produit ou son retrait, ou l'expédition sont à la charge du client.

OBTENTION DE SERVICE DE GARANTIE

Pour obtenir un service de garantie ou toute information concernant le Produit, veuillez nous contacter :

MANITOWOC FOODSERVICE

2110 So. 26th St.

P.O. Box 1720,

Manitowoc, WI 54221-1720 USA

Téléphone : 920-682-0161 Fax : 920-683-7585

www.manitowocice.com

CE QUI N'EST PAS COUVERT

La présente garantie limitée ne couvre pas, et laisse à votre seule responsabilité, les frais de ce qui suit : (1) maintenance périodique ou de routine, (2) réparation ou remplacement du Produit ou des pièces suite à une usure normale, (3) défauts ou dommages du Produit ou des pièces du fait d'une mauvaise utilisation, d'une utilisation abusive, de négligences ou d'accidents, (4) défauts ou dommages du Produit ou des pièces du fait d'altérations, de modifications ou de changements incorrects ou non autorisés et (5) défauts ou dommages d'un Produit non installé et/ou maintenu conformément au manuel d'instructions ou aux spécifications techniques fournis par Manitowoc. Dans la mesure où ces exclusions de garantie dépendent des lois nationales, il est possible qu'elles ne vous concernent pas.

SAUF TEL QU'INDIQUÉ PAR LA PHRASE SUIVANTE, LA PRÉSENTE GARANTIE LIMITÉE REPRÉSENTE LA SEULE ET UNIQUE GARANTIE DE MANITOWOC CONCERNANT LE PRODUIT. TOUTES LES GARANTIES TACITES SONT STRICTEMENT LIMITÉES À LA DURÉE DE LA GARANTIE LIMITÉE S'APPLIQUANT AUX PRODUITS, COMME INDIQUÉ PRÉCÉDEMMENT, Y COMPRIS, SANS TOUTEFOIS S'Y LIMITER, TOUTE GARANTIE DE QUALITÉ MARCHANDE OU D'ADAPTATION À UN USAGE PARTICULIER.

Certains pays ne permettant pas de limitations sur la durée d'une garantie tacite, il est possible que la limitation ci-dessus ne vous concerne pas.

EN AUCUN CAS, MANITOWOC OU UNE DE SES FILIALES, NE PEUT ÊTRE TENUE POUR RESPONSABLE DU CLIENT OU DE TOUTE AUTRE PERSONNE EN CAS DE DOMMAGES ACCESSOIRES, CONSÉCUTIFS OU PARTICULIERS DE TOUTE NATURE (Y COMPRIS, MAIS SANS TOUTEFOIS S'Y LIMITER, UNE PERTE DE PROFITS, DE REVENUS OU COMMERCIALE) DÉCOULANT, OU LIÉS DE QUELQUE MANIÈRE QUE CE SOIT, AU PRODUIT, À UNE RUPTURE DE LA PRÉSENTE GARANTIE LIMITÉE, OU À TOUTE AUTRE CAUSE, QUELLE QU'ELLE SOIT, BASÉE SUR LE CONTRAT, SUR LA RESPONSABILITÉ CIVILE OU TOUTE AUTRE RESPONSABILITÉ.

Certaines juridictions ne permettant pas l'exclusion ou la limitation de dommages accessoires ou consécutifs, il est possible que cette limitation ou exclusion ci-dessus ne vous concerne pas.

APPLICATION DES LOIS NATIONALES

La présente garantie limitée vous offre des droits légaux spécifiques et il se peut que vous ayez d'autres droits qui varient d'une juridiction à une autre.

CARTE DE GARANTIE

Pour assurer un service de garantie prompt et permanent, cette carte de garantie doit être remplie et envoyée à Manitowoc dans les trente (30) jours suivant la date de vente. Remplir la carte de garantie suivante et l'envoyer à Manitowoc.

EC DECLARATION OF CONFORMITY

We hereby declare that our products, ice machines and Multiplex refrigeration equipment comply with all the essential requirements of the listed EC - directives.

Manufacturer:

Manitowoc Ice, Inc.
2110 S. 26th Street, P.O. Box 1720
Manitowoc, Wisconsin 54221-1720 USA

European Distributor:

Representative of Manitowoc Ice, Inc.:

Engineering Manager, (Printed name)

Representative of European Distributor:

Signature

Model and Serial No.

Applied EC Directives:

Applied Standards:

EN60335-1 Safety of household and similar electrical appliances
EN60335-2-24 Particular requirements refrigerators, food freezers and ice makers

EN55014 Electrical Motor Operated Appliances (Emissions)
EN55014 Electro Magnetic Compatibility (Immunity)
EN378 -1 to -4 Refrigeration Plants

Low Voltage 73/23/EEC
EMC 89/336/EEC
Pressure Equipment 97/23/EC



8201043
08/25/03



© 2010 Manitowoc

Continuing product improvements may necessitate change of specifications without notice.

Part Number 040001361 05/10



Manitowoc Foodservice
2110 South 26th Street, P.O. Box 1720
Manitowoc, WI 54221-1720, USA
Ph: 920-682-0161 Fax: 920-683-7589
Visit us online at: www.manitowocice.com

