

Project \_\_\_\_\_  
 Item \_\_\_\_\_  
 Quantity \_\_\_\_\_  
 CSI Section 11400  
 Approved \_\_\_\_\_  
 Date \_\_\_\_\_

# RFP0320A

## FLAKE ICE MACHINE

RFP0320A Flake Ice Machine

### Models

- RFP0320A



Model RFP0320A  
Flake Ice Machine  
on D-420 Bin

### Standard Features

- Up to 365 lbs. (165 kgs) daily flake ice production.
- High load maintenance free bearing for enhanced reliability.
- R290 Refrigerant is environmentally friendly with less ozone depletion compared to R404
- Flake ice is perfect for food display, salad bar, and cold therapy/healthcare
- Ice form around object without bruising and hold object in place without tipping/spilling
- Heavy duty stainless steel cabinet resists corrosion



### Specifications

#### Condenser Heat of Rejection (BTU per hour):

7,511 (average)

#### Compressor:

Nominal rating: 3/4 HP

#### Refrigerant:

R290

#### Operating Limits:

- Ambient Temperature Range: 50°-110°F (10°-43°C)
- Water Temperature Range: 37°-90°F (3°-32°C)
- Water Pressure Ice Maker Water In:  
Min. 14 psi (96.5 kPa)  
Max. 80 psi (551.1 kPa)

### Ice Machine Electric

115/60/1 standard. (230/50/1 also available.)

#### Minimum circuit ampacity:

7.5 amps.

#### Maximum fuse size:

15 amps.

HACR-type circuit breakers can be used in place of fuses.

### Standard Features

Flake ice is small hard bits of ice ideally suited for presentation applications.



Ice shown actual size



UL STD 563  
CAN/CSA-C22.2 No. 120

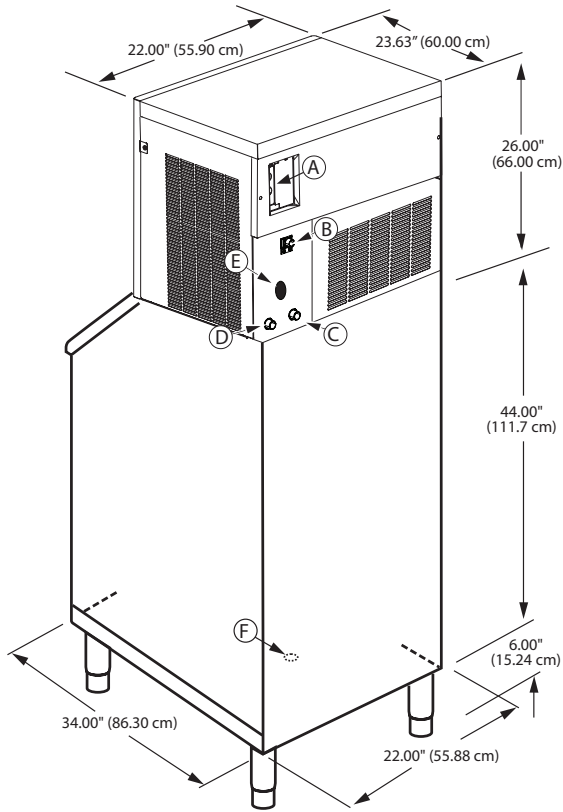
SANITATION  
NSF/ANSI STD 12





**RFP0320A Flake Ice Machine**

**RFP0320 on D-420**



**Installation Note -**  
 Minimum installation clearance:  
 Top/sides: 8" (20.32 cm),  
 Back: 5" (12.70 cm).

- (A) Electrical Entrance (2) Options
- (B) 3/8" F.P.T. Condenser Inlet (water-cooled only)
- (C) 1/2" M.P.T. Condenser Drain (water-cooled only)
- (D) 1/2" M.P.T. Ice Making Water Drain
- (E) 3/8" F.P.T. Ice Making Water Inlet
- (F) 3/4" Bin Drain

**Ice Machine Electric**



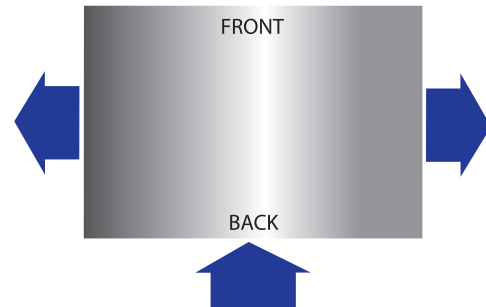
	<b>RFP0320 on D-420</b>
Height	76.00"
	193.00 cm
Width	22.00"
	55.90 cm
Depth	34.00"
	86.36 cm
Bin Storage	310 lbs.
	140.7 kgs

Height includes adjustable bin legs 6.00" to 7.00", (15.24 to 17.78 cm) set at 6.00" (15.24 cm).

**Ice Machine Accessories**

K00472 30" D Style Bin Adapter

**Air Flow Overhead View**



Air-Cooled Ice Machine	Model	Ice Shape	Ice Production 24 Hours		Power kWh/100 lbs @ 90°Air/70°F	Potable Water Usage (100 lbs./45.4 kgs of Ice)
			70° Air/50°F Water 21° Air/10° C Water	90° Air/70°F Water 32° Air/21° C Water		
			RFP0320A	Flake		

Welbilt reserves the right to make changes to the design or specifications without prior notice.