

Project _____
 Item _____
 Quantity _____
 CSI Section 11400
 Approved _____
 Date _____

RFP0620 Flake Ice Machine

RFP0620 Flake Ice Machine

Models

- RFP0620A RFP0620W



Model RFP0620A
 Flake Ice Machine
 on D-420 Bin

Standard Features

- Up to 740 lbs. (345 kgs) daily flake ice production.
- High load maintenance free bearing for enhanced reliability
- R290 Refrigerant is environmentally friendly with less ozone depletion compared to R404.
- Flake ice is perfect for food display, salad bars, and cold therapy/healthcare
- Ice forms around object without bruising and holds objects in place without tipping/spilling.
- Heavy duty stainless steel cabinet resists corrosion.



Specifications

BTU per hour:

Air: 10,822 (average)
 Water: 2,697 (average)

Compressor:

Nominal rating: 1 HP
 Refrigerant: R290A

Operating Limits:

- Ambient Temperature Range: 50°-110°F (10°-43°C)
- Water Temperature Range 37°-90°F (3°-32°C)
- Water Pressure Ice Maker Water In
 Min. 14 psi (96.5 kPa)
 Max. 80 psi (551.6 kPa)
- Condenser Inlet Water In: (water-cooled only)
 Min. 20 psi (137.9 kPa)
 Max. 150 psi (1034.2 kPa)
 Water Condenser not for sea water applications.

Ice Machine Electric

115/60/1 standard.
 (230/50/1 also available.)

Minimum circuit ampacity:

13.5 amps (115V air)
 13.5 amps (115V water)

Maximum fuse size:

20 amps (115V)
 HACR-type circuit breakers can be used in place of fuses.

Ice Shape

Flake ice is small hard bits of ice ideally suited for presentation applications.



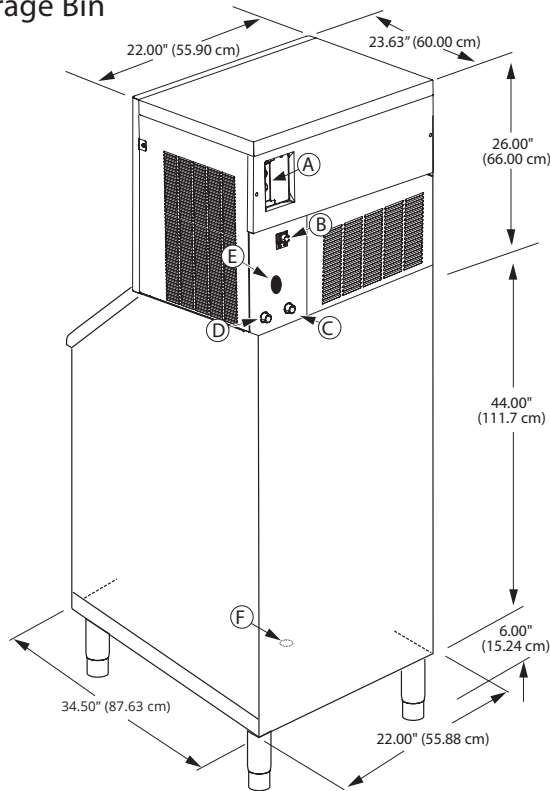
Ice shown actual size





RFP0620 Flake Ice Machine

RFP0620 on D-420 Storage Bin



Installation Note -

Minimum installation clearance:
 Top/sides: 8" (20.32 cm),
 Back: 5" (12.70 cm).

- (A) Electrical Entrance (2) Options
- (B) 3/8" F.P.T. Condenser Inlet (water-cooled only)
- (C) 1/2" M.P.T. Condenser Drain (water-cooled only)
- (D) 1/2" M.P.T. Ice Making Water Drain
- (E) 3/8" F.P.T. Ice Making Water Inlet
- (F) 3/4" Bin Drain

Space-Saving Designs



RFP0620 on D-420

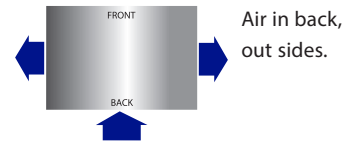
| | |
|-------------|-----------------------|
| Height | 76.00" 193.00 cm |
| Width | 22.00" 55.90 cm |
| Depth | 34.50" 87.63 cm |
| Bin Storage | 310 lbs. 140.7 kgs |

Height includes adjustable bin legs
 6.00" to 7.00", (15.24 to 17.78 cm)
 set at 6.00" (15.24 cm).

Accessories

K-00472 30" D Style Bin Adapter

Air Flow Overhead View



| Model | Ice Shape | Ice Production 24 Hours Based on Air/Water Temp | | | | Power kWh/100 lbs @ 90°Air/70°F Water | Potable Water Usage (100 lbs./ 45.4 kgs of Ice) | Condenser Water at 90/70°F 32° Air/21° C Water |
|--------------|-----------|---|--|----------|---------|---------------------------------------|---|--|
| | | 70° Air/50°F Water 21° Air/10° C Water | 90° Air/70°F Water 32° Air/21° C Water | | | | | |
| RFP0620A-161 | Flake | 682 lbs. | 309 kgs | 527 lbs. | 239 kgs | 5.04 | 12 gal./45.4 L | N/A |
| RFP0620W-161 | Flake | 740 lbs. | 335 kgs | 597 lbs. | 270 kgs | 3.75 | 12 gal./45.4 L | 106 gal./401 L |

Welbilt reserves the right to make changes to the design or specifications without prior notice.