



# Nugget Ice Machines

## CNF201 & CNF202 Models

### Installation, Operation and Maintenance Manual



Original Document

 **Caution**

Read this instruction before operating this equipment.



# Safety Notices

## Safety Notices

### Read these precautions to prevent personal injury:

- Read this manual thoroughly before operating, installing or performing maintenance on the equipment. Failure to follow instructions in this manual can cause property damage, injury or death.
- Routine adjustments and maintenance procedures outlined in this manual are not covered by the warranty.
- Proper installation, care and maintenance are essential for maximum performance and trouble-free operation of your equipment. Visit our website [www.manitowocice.com](http://www.manitowocice.com) for manual updates, translations, or contact information for service agents in your area.
- This equipment contains high voltage electricity and refrigerant charge. Installation and repairs are to be performed by properly trained technicians aware of the dangers of dealing with high voltage electricity and refrigerant under pressure. The technician must also be certified in proper refrigerant handling and servicing procedures. All lockout and tag out procedures must be followed when working on this equipment.
- This equipment is intended for indoor use only. Do not install or operate this equipment in outdoor areas.

## DEFINITIONS

### **DANGER**

Indicates a hazardous situation that, if not avoided, will result in death or serious injury. This applies to the most extreme situations.

### **Warning**

Indicates a hazardous situation that, if not avoided, could result in death or serious injury.

### **Caution**

Indicates a hazardous situation that, if not avoided, could result in minor or moderate injury.

### **Notice**

Indicates information considered important, but not hazard-related (e.g. messages relating to property damage).

### **Warning**

#### Follow these precautions to prevent personal injury during installation of this equipment:

- Installation must comply with all applicable equipment fire and health codes with the authority having jurisdiction.
- To avoid instability the installation area must be capable of supporting the combined weight of the equipment and product. Additionally the equipment must be level side to side and front to back.
- Remove all removable panels before lifting and installing and use appropriate safety equipment during installation and servicing. Two or more people are required to lift or move this appliance to prevent tipping and/or injury.
- Connect to a potable water supply only.
- Do not damage the refrigeration circuit when installing, maintaining or servicing the unit.

### **Warning**

#### Follow these electrical requirements during installation of this equipment.

- All field wiring must conform to all applicable codes of the authority having jurisdiction. It is the responsibility of the end user to provide the disconnect means to satisfy local codes. Refer to rating plate for proper voltage.
- This appliance must be grounded.
- This equipment must be positioned so that the plug is accessible unless other means for disconnection from the power supply (e.g., circuit breaker or disconnect switch) is provided.
- Check all wiring connections, including factory terminals, before operation. Connections can become loose during shipment and installation.

NOTE: Indicates useful, extra information about the procedure you are performing.

**⚠ DANGER**

Do not operate equipment that has been misused, abused, neglected, damaged, or altered/modified from that of original manufactured specifications. This appliance is not intended for use by persons (including children) with reduced physical, sensory or mental capabilities, or lack of experience and knowledge, unless they have been given supervision concerning use of the appliance by a person responsible for their safety. Do not allow children to play with, clean or maintain this appliance without proper supervision.

**⚠ Warning**

**Follow these precautions to prevent personal injury while operating or maintaining this equipment:**

- Read this manual thoroughly before operating, installing or performing maintenance on the equipment. Failure to follow instructions in this manual can cause property damage, injury or death.
- Crush/Pinch Hazard. Keep hands clear of moving components. Components can move without warning unless power is disconnected and all potential energy is removed.
- Moisture collecting on the floor will create a slippery surface. Clean up any water on the floor immediately to prevent a slip hazard.
- Objects placed or dropped in the bin can affect human health and safety. Locate and remove any objects immediately.
- Never use sharp objects or tools to remove ice or frost. Do not use mechanical devices or other means to accelerate the defrosting process.
- When using cleaning fluids or chemicals, rubber gloves and eye protection (and/or face shield) must be worn.

**⚠ DANGER**

**Follow these precautions to prevent personal injury during use and maintenance of this equipment:**

- It is the responsibility of the equipment owner to perform a Personal Protective Equipment Hazard Assessment to ensure adequate protection during maintenance procedures.
- Do Not Store Or Use Gasoline Or Other Flammable Vapors Or Liquids In The Vicinity Of This Or Any Other Appliance. Never use flammable oil soaked cloths or combustible cleaning solutions for cleaning.
- All covers and access panels must be in place and properly secured when operating this equipment.
- Risk of fire/shock. All minimum clearances must be maintained. Do not obstruct vents or openings.
- Failure to disconnect power at the main power supply disconnect could result in serious injury or death. The power switch DOES NOT disconnect all incoming power.
- All utility connections and fixtures must be maintained in accordance with the authority having jurisdiction.
- Turn off and lockout all utilities (electric, water) according to approved practices during maintenance or servicing.
- Never use a high-pressure water jet for cleaning on the interior or exterior of this unit. Do not use power cleaning equipment, steel wool, scrapers or wire brushes on stainless steel or painted surfaces.
- Two or more people are required to move this equipment to prevent tipping.
- These units must be tethered/secured to comply with all applicable codes.
- The on-site supervisor is responsible for ensuring that operators are made aware of the inherent dangers of operating this equipment.
- Do not operate any appliance with a damaged cord or plug. All repairs must be performed by a qualified service company.

# Table of Contents

---

## Safety Notices

<b>Safety Notices</b> .....	<b>3</b>
Definitions .....	3

## Section 1

### General Information

<b>Model Numbers</b> .....	<b>7</b>
<b>Accessories</b> .....	<b>7</b>
Manitowoc Descaler and Sanitizer .....	7
Legs .....	7
Touchless Sensing Option.....	7

## Section 2

### Installation

<b>Location of Ice Machine</b> .....	<b>9</b>
<b>Ice Machine Clearance Requirements</b> .....	<b>9</b>
Sealing to Countertop or Stand .....	9
<b>Electrical Service</b> .....	<b>10</b>
Voltage .....	10
Fuse/Circuit Breaker .....	10
Total Circuit Ampacity .....	10
<b>Electrical Specifications</b> .....	<b>10</b>
<b>Water Supply and Drains</b> .....	<b>10</b>
Potable Water Supply.....	10
Potable Water Inlet Lines .....	10
Drain Connections.....	10
Water Supply & Drain Line Sizing Connections .....	11
<b>Before Starting the Ice Machine</b> .....	<b>12</b>
Installation Checklist .....	12

## Section 3

### Operation

<b>Sequence of Operation</b> .....	<b>13</b>
15 Minute Time Delay .....	13
Prior to Start-up .....	13
Initial Start-up .....	13
Freeze Cycle.....	13
Automatic Shutoff .....	13
Restart After Automatic Shutoff.....	13
<b>Operational Checks</b> .....	<b>14</b>
General.....	14
Operation .....	14

## Section 4

### Maintenance

<b>Descaling and Sanitizing</b> .....	<b>15</b>
General.....	15
Exterior Cleaning .....	15
Procedures .....	15
Preventative Maintenance Descaling Procedure .....	16

Table of Contents (continued)

---

Procedure to Descale Heavily Scaled Flake/Nugget Ice Machines .....17  
Descaling Procedure.....17  
Sanitizing Procedure .....18  
**Component Disassembly for Descaling/Sanitizing..... 19**  
**Cleaning the Condenser..... 22**  
**Removal from Service/Winterization ..... 23**  
    General.....23

**Section 5**  
**Troubleshooting**

**Checklist..... 25**

# Section 1

## General Information

---

### Model Numbers

This manual covers the following models:

Lever Activated	Touchless Sensor Activated
CNF201A-161L CNF201A-251L	CNF201A-161 CNF201A-251 CNF0201-261
CNF202A-161L CNF202A-251L	CNF202A-161 CNF202A-251 CNF0202-261

### Accessories

#### MANITOWOC DESCALER AND SANITIZER

Manitowoc Ice Machine Descaler and Sanitizer are available in convenient 16 oz. (473 ml) and 1 gal (3.78 l) bottles. These are the only descaler and sanitizer approved for use with Manitowoc products.

Descaler Part Number		Sanitizer Part Number	
16 oz. (473 ml)	000000084	16 oz. (473 ml)	94-0565-3
		1 Gallon (3.78 l)	94-0581-3

#### LEGS

Optional four inch adjustable legs are available.

#### TOUCHLESS SENSING OPTION

Touchless sensing can be ordered installed on the ice machine from the factory or a field conversion kit is available. The field conversion kit includes a replacement front panel and instructions for installation.

THIS PAGE INTENTIONALLY LEFT BLANK



## Section 2 Installation

These instructions are provided to assist the qualified installer. Check your local Yellow Pages for the name of the nearest Manitowoc distributor, or call Manitowoc Foodservice for information regarding start-up services.

### Important

Failure to follow these installation guidelines may affect warranty coverage.

### Location of Ice Machine

The location selected for the ice machine must meet the following criteria. If any of these criteria are not met, select another location.

- The location must be free of airborne and other contaminants.
- The air temperature must be at least 45°F (7°C), but must not exceed 110°F (43°C).
- The water temperature must be at least 45°F (7°C), but must not exceed 90°F (32°C).
- The location must not be near heat-generating equipment or in direct sunlight.
- The location must be capable of supporting the weight of the ice machine and a full bin of ice and allow the ice machine to be level front to back and side to side.
- The location must allow enough clearance for water and electrical connections in the **rear of the ice machine**. The drain can be routed out the rear or bottom of dispenser.
- The location must not obstruct airflow through or around the ice machine. Airflow is in the left side and out the top. Refer to chart for clearance requirements.

These ice machines are intended for use in household and similar applications such as:

- Staff kitchen areas in shops, offices and other work environments.
- Clients in hotels, motels, farmhouses, bed and breakfast and other residential type environments.
- Catering and similar non-retail applications.

### Caution

To avoid instability the ice machine must be installed in an area capable of supporting the weight of the ice machine and a full bin of ice.

### Ice Machine Clearance Requirements

	CNF201	CNF202
Top	24" (61 cm)	24" (61 cm)
Sides	8" (20 cm)	8" (20 cm)
Back*	5" (13 cm)	5" (13 cm)

\* 5" (13 cm) is recommended for servicing the ice machine. Clearance can be 0" when water and drain connections exit the bottom of the ice machine.

### Notice

The ice machine must be protected if it will be subjected to temperatures below 32°F (0°C). Failure caused by exposure to freezing temperatures is not covered by the warranty. See "Removal from Service/Winterization".

### SEALING TO COUNTERTOP OR STAND

Ice machines installed without legs must be sealed to the countertop or stand. This prevent liquids or debris from infiltrating beneath the ice machine.

## Electrical Service

**⚠ Warning**

All wiring must conform to local, state and national codes.

### VOLTAGE

The maximum allowable voltage variation is ±10% of the rated voltage on the ice machine model/serial number plate at start-up (when the electrical load is highest).

### FUSE/CIRCUIT BREAKER

A separate fuse/circuit breaker must be provided for each ice machine. Circuit breakers must be H.A.C.R. rated (does not apply in Canada).

**115/60/1 ice machines** are factory pre-wired with a power cord and 5-15P plug.

**230/60/1 and 230/50/1 ice machines** are factory prewired with a power cord, no plug is supplied.

**⚠ Warning**

The ice machine must be grounded in accordance with national and local electrical codes.

### TOTAL CIRCUIT AMPACITY

The total circuit ampacity is used to help select the wire size of the electrical supply.

The wire size (or gauge) is also dependent upon location, materials used, length of run, etc., so it must be determined by a qualified electrician.

## Electrical Specifications

Ice Machine	Voltage/Phase/Cycle	Air-Cooled
		Total Circuit Amps
CNF201	115/1/60	10.3
	230/1/60	
	230/1/50	
CNF202	115/1/60	5.4
	230/1/60	
	230/1/50	

## Water Supply and Drains

### POTABLE WATER SUPPLY

Local water conditions may require treatment of the water to inhibit scale formation, filter sediment, and remove chlorine odor and taste.

**⚠ Warning**

**PERSONAL INJURY POTENTIAL**

For ice making, connect to a potable water supply only.

**Important**

If you are installing a Manitowoc water filter system, refer to the Installation Instructions supplied with the filter system for ice making water inlet connections.

### POTABLE WATER INLET LINES

Follow these guidelines to install water inlet lines:

- Do not connect the ice machine to a hot water supply. Be sure all hot water restrictors installed for other equipment are working. (Check valves on sink faucets, dishwashers, etc.)
- If water pressure exceeds the maximum (80 psig/551.5 kPa) recommended pressure, obtain a water pressure regulator from your Manitowoc distributor.
- Install a water shut-off valve and union for both the ice-making and condenser water lines.
- Insulate water inlet lines to prevent condensation.

### DRAIN CONNECTIONS

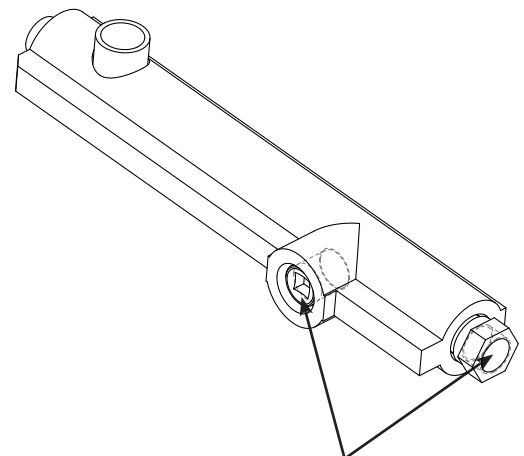
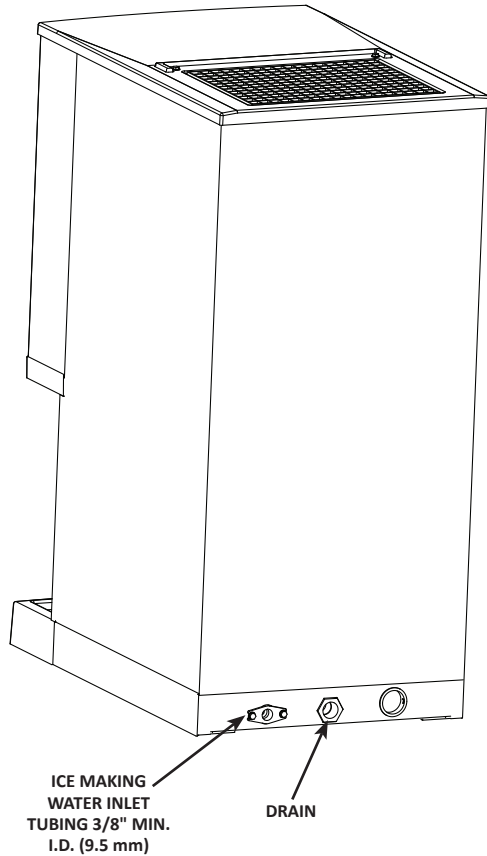
Follow these guidelines when installing drain lines:

- Drain lines must have a 1.5 inch drop per 5 feet of run (2.5 cm per meter) and must not create traps.
- The floor drain must be large enough to accommodate drainage from all drains.
- Insulate drain lines to prevent condensation.
- Drains must have a union or other suitable means to allow in-place disconnection from the ice machine when servicing is required.

**WATER SUPPLY & DRAIN LINE SIZING CONNECTIONS**

**⚠ Caution**  
Plumbing must conform to state and local codes.

Location	Water Temperature	Water Pressure	Ice Machine Fitting	Tubing Size Up to Ice Machine Fitting
Ice Making Water Inlet	45°F (6°C) Min. 90°F (32°C) Max.	20 psi (137.9 kPa) Min. 80 psi (551.5 kPa) Max.	3/8" Female Pipe Thread	3/8" (9.5 mm) minimum inside diameter
Ice Machine Drain	---	---	1/2" Female Pipe Thread	3/4" (19 mm) minimum inside diameter



**DRAIN CONNECTION IS INTERCHANGEABLE**  
**DRAIN IS PREINSTALLED TO RUN OUT THE BACK**  
**MOVE DRAIN PLUG TO RUN DRAIN OUT THE BOTTOM IF DESIRED**

**Typical Water Supply Drain Installation**

## Before Starting the Ice Machine

### INSTALLATION CHECKLIST

√	Checklist Item
	Is the ice machine level?
	Have all of the internal packing been removed?
	Have all of the electrical and water connections been made?
	Has the supply voltage been tested and checked against the rating on the nameplate?
	Is there proper clearance around the ice machine for air circulation?
	Has the ice machine been installed where ambient temperatures will remain in the range of 45° – 110°F (7° – 43°C)?
	Has the ice machine been installed where the incoming water temperature will remain in the range of 45° – 90°F (7° – 32°C)?
	Are all electrical leads free from contact with refrigeration lines and moving equipment?
	Has the owner/operator been instructed regarding maintenance and the use of Manitowoc Descaler and Sanitizer?
	Has the warranty registration card been sent to the factory?
	Has the ice machine and bin been sanitized?
	Has this manual been given to the owner/operator?
	Is the water reservoir approximately 2/3 full of water?
	Has the toggle switch been placed in the ICE position? (Switch is located under front panel ledge)

All Manitowoc ice machines are factory-operated and adjusted before shipment. Normally, new installations do not require any adjustment. To ensure proper operation, follow the Operational Checks in Section 3 of this manual.

Adjustments and maintenance procedures outlined in this manual are not covered by the warranty.

#### Warning

#### Potential Personal Injury Situation

Do not operate equipment that has been misused, abused, neglected, damaged, or altered/modified from that of original manufactured specifications.

## Section 3

# Operation

---

### Sequence of Operation

#### 15 MINUTE TIME DELAY

The 15 minute delay must be expired before the gearmotor or compressor will energize.

The delay period starts to time out upon application of power or movement of the toggle switch from OFF to ICE.

The delay period starts when:

- The ice machine enters Automatic Shutoff
- Power is disconnected and reconnected
- The toggle switch is moved from OFF to ICE

This time delay period can not be overridden and will reset to 15 minutes if any of the above conditions occur.

#### PRIOR TO START-UP

When the toggle switch is placed in the ICE position, the following must occur in the listed order before ice making will start.

- The ice chute damper must be in the closed or down position.
- The 15 minute delay period must be expired. The delay period starts upon application of power or toggle switch movement from OFF to ICE.
- The water sensing switch must be closed (water reservoir full of water and water sensing float in the up position).

#### INITIAL START-UP

Applying power and/or moving the toggle switch from OFF to ICE will start a 15 minute delay period. This delay period can not be overridden. With the water sensing switch closed (reservoir full of water) the gear motor will energize at the end of the 15 minute time delay. The compressor and condenser fan motor energize 5 seconds after the gearmotor.

#### FREEZE CYCLE

The float valve automatically maintains the water level in the reservoir. The ice damper will open and close to verify ice production. The ice machine will continue to make ice until the ice damper is held open (up) as ice fills the bin.

#### AUTOMATIC SHUTOFF

When the ice damper is held open by ice, the gearmotor, compressor and condenser fan de-energize. The fifteen minute delay period starts to time out. The ice machine will remain off until the 15 minute delay period expires and the ice damper closes.

#### RESTART AFTER AUTOMATIC SHUTOFF

1. **Less than 4 hours have passed since automatic shut-off.**

With the water sensing switch closed (reservoir full of water), the gear motor will energize at the end of the 15 minute time delay. The compressor and condenser fan motor energize 5 seconds after the gearmotor.

2. **More than 4 hours have passed since automatic shutoff.**

The dump valve energizes to drain the evaporator. After 30 seconds the dump valve de-energizes. When the reservoir fills with water, the water sensing switch closes and the gearmotor energizes. The compressor and condenser fan motor energize 5 seconds after the gearmotor.

## Operational Checks

### GENERAL

Manitowoc ice machines are factory-operated and adjusted before shipment. Normally, a newly installed ice machine does not require any adjustment.

To ensure proper operation, always follow the Operational Checks:

- when starting the ice machine for the first time
- after a prolonged out-of-service period
- after descaling and sanitizing

NOTE: Routine adjustments and maintenance procedures outlined in this manual are not covered by the warranty.

### Blue Light

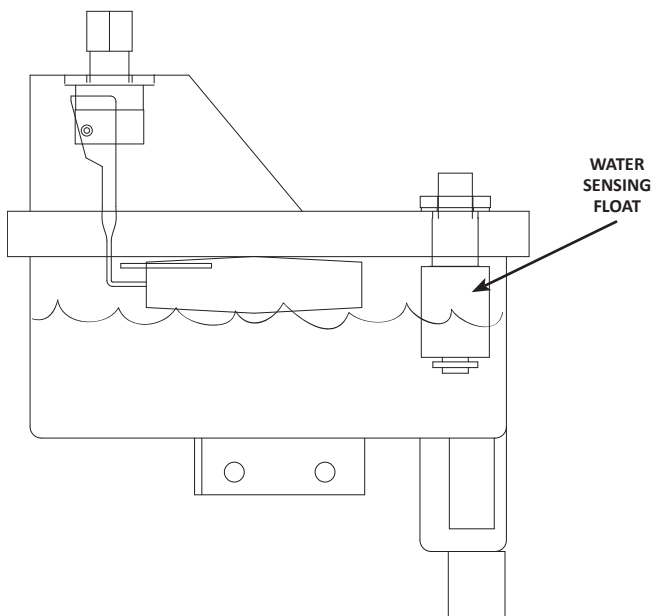
The blue light on the dispensing spout is energized when the toggle switch is in the ICE position and the ice machine is operational. If the light is not energized the ice machine will not make ice. Refer to Section 5 Troubleshooting if the ice machine has power and the light will not energize.

### Toggle Switch

The toggle switch must be placed in the ICE position to make ice.

### Water Reservoir

The water reservoir must be 2/3 full of water and the water sensing float must be up (switch closed) before the ice machine will start.



### Ice Production

Allow the ice machine to produce ice for 15 minutes before testing the dispense mechanism. This will ensure a sufficient quantity of ice in the bin for dispensing.

### OPERATION

1. Set Selector Switch (When Used)

Depress the button adjacent to the text.

- Select ICE for ice dispense only
- Select ICE/WATER for water and ice
- Select WATER for water only

2. Dispense

### LEVER-ACTIVATED

Use glass or container to press dispenser arm backward. Release the arm and the ice machine will stop dispensing.

### TOUCHLESS CENTER-ACTIVATED

Place a glass or container underneath the dispensing spout within 1" (2.5 cm) of the sensor. The ice machine will automatically dispense. Remove the glass or container to stop dispensing.

## Section 4

# Maintenance

---

### Descaling and Sanitizing

#### GENERAL

You are responsible for maintaining the ice machine in accordance with the instructions in this manual. Maintenance procedures are not covered by the warranty.

Descal and sanitize the ice machine every six months for efficient operation. If the ice machine requires more frequent descaling and sanitizing, consult a qualified service company to test the water quality and recommend appropriate water treatment. If required, an extremely dirty ice machine may be taken apart for descaling and sanitizing.

Sanitizing for Exterior, Remedial, and Detailed procedures can be performed independently and more frequently than descaling when needed.

Using non-Manitowoc descalers, sanitizers, descalers or solutions may result in bodily harm and/or cause damage to the ice machine that is not covered under the warranty.

#### Caution

Use only Manitowoc approved Ice Machine Descaler (part number 000000084) and Sanitizer (part number 94-0565-3). Do not mix Descaler and Sanitizer solutions together. It is a violation of Federal law to use these solutions in a manner inconsistent with their labeling. Read and understand all labels printed on bottles before use.

#### Warning

Wear rubber gloves and safety goggles (and/or face shield) when handling Ice Machine Descaler or Sanitizer.

#### EXTERIOR CLEANING

Weekly: remove grill from scrap ice tray and wipe splash panel, scrap ice tray and grill with sanitizer and water solution (refer to page 18). Pour excess solution in scrap ice tray to clear drain.

#### TOUCHLESS SENSOR ONLY

Wipe sensor window with a soft cloth and mild detergent. Rinse with clear water and dry with a clean soft cloth.

#### PROCEDURES

This Manitowoc ice machine has three separate cleaning procedures.

##### Preventative Maintenance Descaling Procedure

Perform this procedure as required for your water conditions. Recommended monthly.

- Allows descaling the ice machine without removing all of the ice from the bin
- Removes mineral deposits from areas or surfaces that are in direct contact with water during the freeze cycle (reservoir, evaporator, auger, drain lines)

##### Descaling/Sanitizing Procedure

This procedure must be performed a minimum of once every six months.

- All ice must be removed from the bin
- The ice machine and bin must be disassembled descaled and sanitized
- The ice machine produces ice with the descaler and sanitizer solutions
- All ice produced during the descaling and sanitizing procedures must be discarded

##### Heavily Scaled Descaling Procedure

Perform this procedure if you have some or all of these symptoms.

- Grinding, popping or squealing noises from the evaporator
- Grinding noise from gearbox
- Ice machine stops on Safety Shutdown
- Your water has a high concentration of minerals
- The ice machine has not been on a regular maintenance schedule

Run a descaling procedure as described above after this procedure is complete.

NOTE: A Sanitizing Procedure must be performed after all descaling procedures have been completed.

**PREVENTATIVE MAINTENANCE DESCALING PROCEDURE**

Ice machine descaler is used to remove lime scale or other mineral deposits. It is not used to remove algae or slime. Refer to “Sanitizing Procedure” for removal of algae and slime. To initiate a descaling cycle using Manitowoc’s Cleaning Technology use the following procedure.

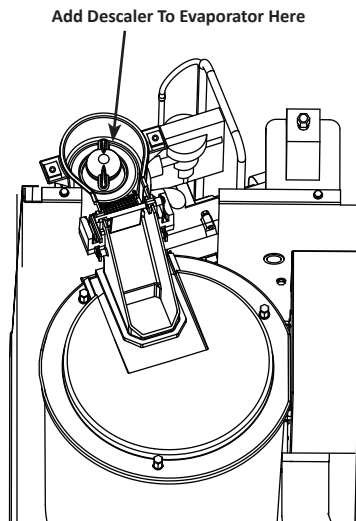
**Step 1** To start a descaling cycle, move the toggle switch to the CLEAN position. Water will flow through the water dump valve and down the drain.

**Step 2** Remove the top panel and translucent plastic ice chute cover. Wait about one minute then add the proper amount of Manitowoc Ice Machine Descaler. Rinse the descaler from the top of the evaporator with 2 ounces (60 ml) of clear water and re-install cover.

Model	Amount of Descaler
CNF201 CNF202	2 ounce (60 ml)

**! Caution**

Use only Manitowoc approved Ice Machine Descaler. It is a violation of Federal law to use these solutions in a manner inconsistent with their labeling. Read and understand all labels printed on bottles before use.



**Step 3** The ice machine will run a wash cycle, a series of rinse cycles and then stop. This entire cycle lasts approximately 30 minutes.

NOTE: Periodic descaling must be performed on adjacent surface areas not contacted by the water distribution system.

NOTE: The ice machine may be set to start and finish a descaling procedure, and then automatically start ice making again.

- A. After descaler is added, move the switch from CLEAN to ICE position.
- B. When the descaling cycle is complete, ice making will start automatically.

**Changing toggle switch position during descaling cycle:**

1. Less than 60 seconds into Clean cycle - The Clean cycle will end when the toggle switch is moved to the OFF position.
  2. More than 60 seconds into Clean cycle - The ice machine will complete the Clean cycle. Toggle switch position will determine the next cycle after the Clean cycle is completed.
- CLEAN POSITION - The ice machine will wait for a change in toggle switch position.
  - OFF POSITION - The ice machine will wait for a change in toggle switch position.
  - ICE POSITION - The ice machine will start making ice automatically.

Manitowoc recommends disassembling, descaling and sanitizing the ice machine and dispenser every six months.



**PROCEDURE TO DESCALE HEAVILY SCALED FLAKE/ NUGGET ICE MACHINES**

Ice machines that are heavily scaled or have not been descaled on a regular basis will need to run this procedure. Failure to do so may result in binding of the auger as the lime scale releases from the auger and evaporator barrel.

- Step 1** Remove panels and set the ICE/OFF/CLEAN toggle switch to the OFF position.
- Step 2** Remove all ice from the bin.
- Step 3** Turn off the water supply to the ice machine.
- Step 4** Place ICE/OFF/CLEAN toggle switch in the CLEAN position. The dump valve will open and drain the water from the evaporator and reservoir.
- Step 5** Wait approximately 30 seconds (or until the evaporator is drained) and place the toggle switch in the OFF position.
- Step 6** Refer to chart and add the correct amount of descaler for your model ice machine.

Model	Amount of Descaler
CNF201 CNF202	12 ounce (355 ml)

- Step 7** Turn on the water supply to the ice machine.

**Important**

Leave the descaler/water solution in the evaporator for a minimum of 4 hours.

- Step 8** Move the toggle switch to the ICE position. The compressor will energize and produce ice with the descaling solution. Continue the freeze cycle for 15 minutes.
- Step 9** Move the toggle switch to the OFF position, then follow the standard descaling (page 17) and sanitizing procedures (page 18).

**DESCALING PROCEDURE**

Ice machines that are heavily scaled or have not been descaled on a regular basis will need to run the Heavily Scaled Descaling Procedure before this one. Failure to do so may result in binding of the auger as the lime scale releases from the auger and evaporator barrel.

Ice machine descaler is used to remove lime scale or other mineral deposits. It is not used to remove algae or slime. Refer to the "Sanitizing Procedure" for removal of algae and slime.

- Step 1** Remove panels and set the ICE/OFF/CLEAN toggle switch to the OFF position.
- Step 2** Turn off the water supply to the ice machine.
- Step 3** Remove all ice from the bin.
- Step 4** Place ICE/OFF/CLEAN toggle switch in the CLEAN position. The dump valve will open and drain the water from the evaporator and reservoir.
- Step 5** Wait approximately 30 seconds (or until the evaporator is drained) and place the toggle switch in the OFF position.
- Step 6** Refer to chart and premix the correct solution of descaler and cool water for your ice machine.

Model	Amount of Descaler Part Number	Amount of Water
CNF201 CNF202	000000084 2 ounces (60 ml)	32 ounces (1 liter)

**Step 7** Remove the top cover from the ice chute and pour the descaler/water solution into the evaporator. Add the entire amount of premixed solution (excess solution will exit through the overflow tube in the water reservoir).

**Step 8** Replace the ice chute cover and allow the ice machine to stand for 30 minutes.

**Step 9** Turn on the water supply to the ice machine.

**Step 10** Move the toggle switch to the ICE position. After the 15 minute delay period expires, the compressor will energize and produce ice with the descaling solution.

**Step 11** The ice machine will freeze and discharge the descaling solution into the bin. Allow the cycle to run for 15 minutes.

**Step 12** Place the toggle switch in the OFF position and refer to sanitizing procedure.

NOTE: Discard all ice produced during the descaling process. Descaling and sanitizing must be performed on adjacent surface areas not contacted by the water distribution system. Refer to Component Disassembly for Descaling/Sanitizing (page 19) - Disassemble, descale and sanitize the ice machine a minimum of once every six months.

**SANITIZING PROCEDURE**

Ice machine sanitizer is used to remove algae or slime. It is not used to remove lime scale or other mineral deposits. Refer to the “Descaling Procedure” for removal of lime scale or other mineral deposits.

NOTE: Sanitizing must be performed on adjacent surface areas not contacted by the water distribution system. Always perform Component Disassembly for Descaling/Sanitizing procedure and a Descaling Procedure before sanitizing the ice machine.

**Step 1** Turn off the water supply to the ice machine.

**Step 2** Place ICE/OFF/CLEAN toggle switch in the CLEAN position. The dump valve will open and drain the water from the evaporator and reservoir.

**Step 3** Wait approximately 30 seconds (or until the evaporator is drained) and place the toggle switch in the OFF position.

**Step 4** Refer to the chart and add the correct amount of sanitizer and cool water for your model ice machine.

Model	Amount of Sanitizer	Amount of Water
CNF201 CNF202	2 ounces (60 ml)	3 gallons (11 liters)

**Step 5** Remove the top cover from the ice chute and pour the sanitizer/water solution into the evaporator. Add the entire amount of premixed solution (excess solution will exit through the overflow tube in the water reservoir).

**Step 6** Replace the ice chute cover and allow the ice machine to stand for 30 minutes.

**Step 7** Turn on the water supply to the ice machine.

**Step 8** Move the toggle switch to the ICE position. After the 15 minute delay period expires the compressor will energize and produce ice with the sanitizing solution.

**Step 9** The ice machine will freeze and discharge the sanitizing solution into the bin. Allow the cycle to run for 15 minutes.

NOTE: Discard all ice produced during the sanitizing process.

**Step 10** Place the toggle switch in the CLEAN position. The ice machine will run a wash cycle, a series of rinse cycles and then stop. This entire cycle lasts approximately 30 minutes.

**Step 11** Refer to Component Disassembly for Descaling/Sanitizing (page 19), remove descal and sanitize all parts listed.

### Component Disassembly for Descaling/Sanitizing

The ice machine must be disassembled, descaled and sanitized every six months.

**⚠ Caution**

Do not mix Descaler and Sanitizer solutions together. It is a violation of Federal law to use these solutions in a manner inconsistent with their labeling.

1. Turn off water supply to ice machine.

**⚠ Warning**

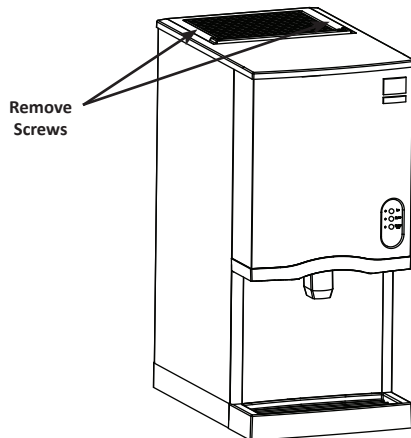
Wear rubber gloves and safety goggles (and/or face shield) when handling Ice Machine Descaler or Sanitizer.

2. Place toggle switch in the CLEAN position for 30 seconds to drain water from reservoir, then move toggle switch to OFF position.
3. Run dispenser to transfer all ice from the bin to a container.

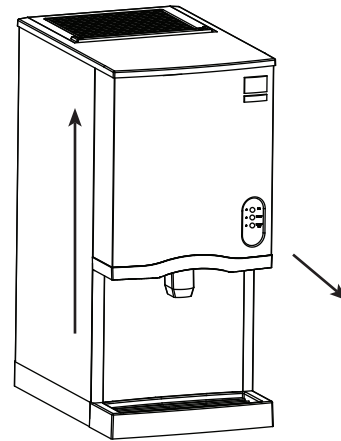
**⚠ Warning**

Disconnect electric power to the ice machine at the electric switch box before proceeding.

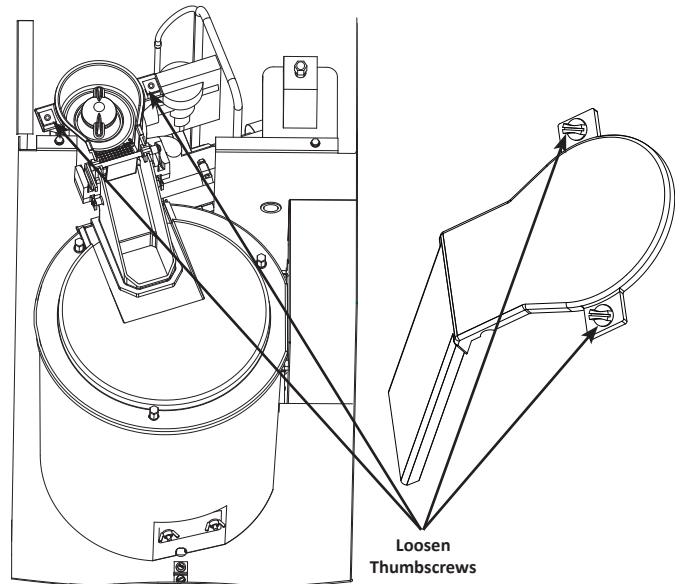
4. Disconnect electrical power to the ice machine.
5. Remove top cover.
  - A. Remove two thumbscrews.
  - B. Lift up on top cover to remove.



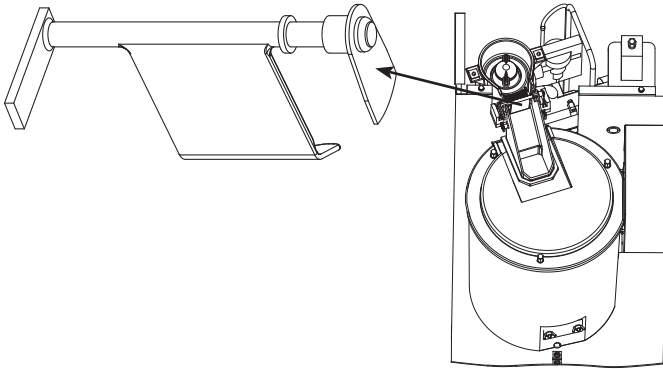
6. Remove front cover.
  - A. Lift up on front cover.
  - B. Pull forward to disengage keyhole slots.



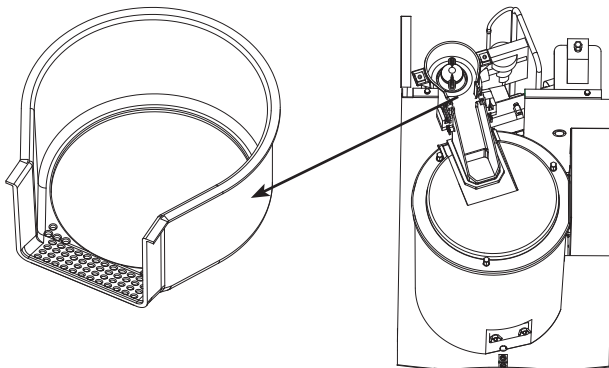
7. Remove ice chute cover.
  - A. Turn the two thumbscrews 1/4 turn.
  - B. Lift to remove cover.



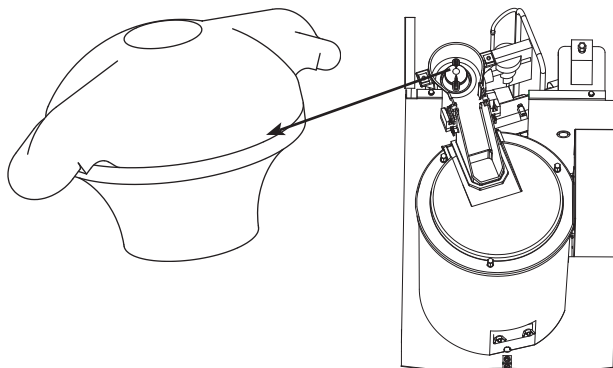
8. Lift out ice damper.



9. Lift out ice strainer ramp.

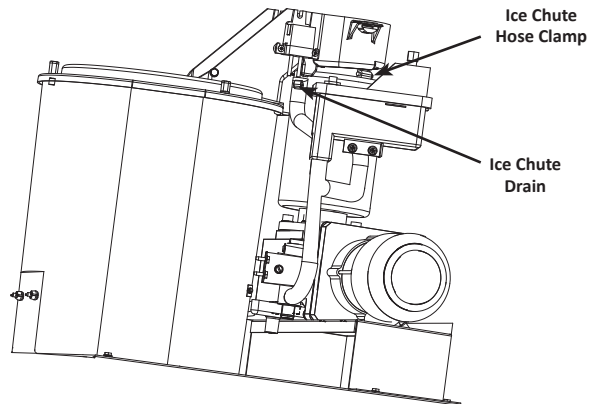


10. Turn ice wiper counterclockwise to remove.

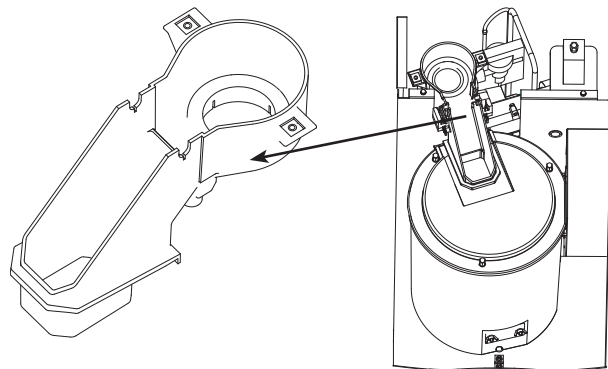


11. Loosen ice chute hose clamp.

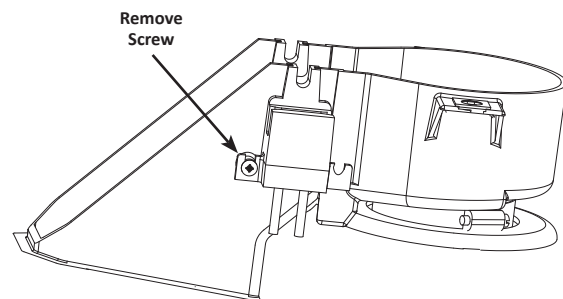
12. Disconnect ice chute drain.



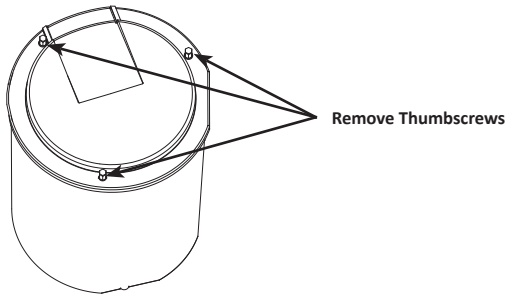
13. Lift up on ice chute to remove. The ice chute must be removed before the bin cover can be removed.



14. The ice chute can be descaled in place. If complete removal is desired, use a Phillips screwdriver to remove the Hall Effect switch assembly from the ice chute.

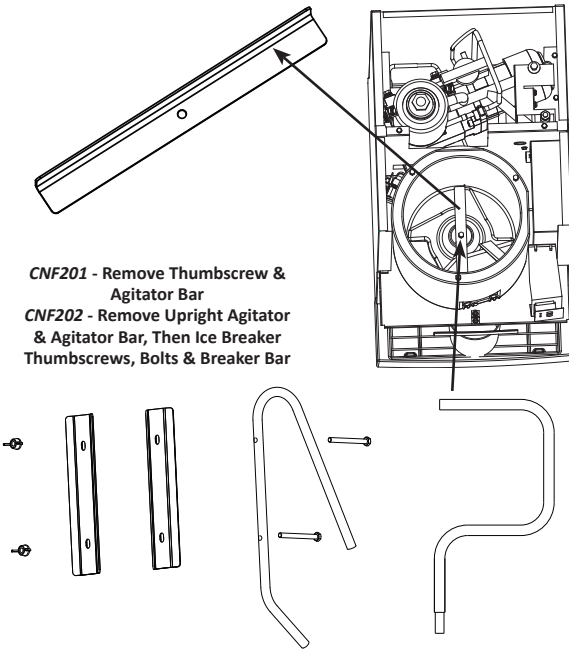


15. Remove three thumbscrews, then remove bin cover.



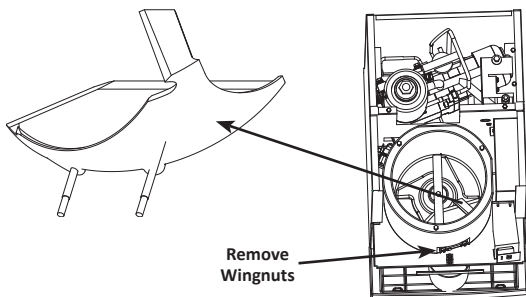
16. Remove agitator bar and ice breaker on CNF202.

NOTE: Bar must be reassembled by inserting front edge into the paddle wheel, then lowering the back edge (rounded 90 angle) to prevent water leakage into the compressor compartment.

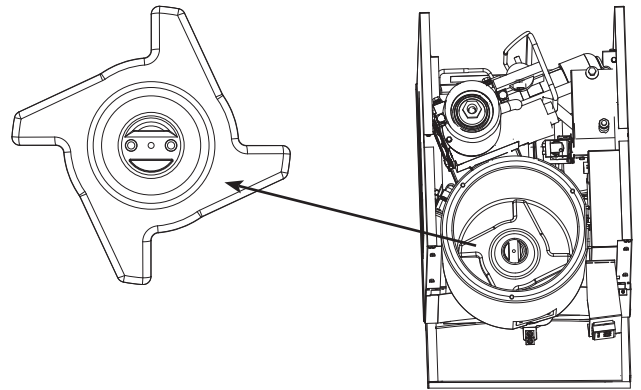


17. Remove ice deflector.

- A. Remove the two thumbscrews.
- B. Lift the ice deflector out.

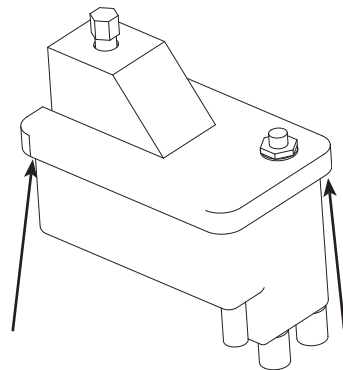


18. Remove ice dispensing wheel by lifting straight out.



19. Remove the water reservoir cover.

- A. Push up on cover to snap off.



20. Mix a solution of descaler and warm water. Depending upon the amount of mineral buildup, a larger quantity of solution may be required. Use the ratio in the table below to mix enough solution to thoroughly descale all parts.

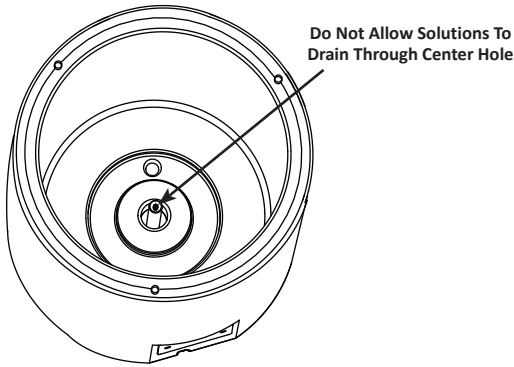
Solution Type	Water	Mixed With
Descaler	1 gal. (4 l)	16 oz (500 ml) descaler

21. Use the descaler/water mixture to descale all components. The descaler solution will foam when it contacts lime scale and mineral deposits; once the foaming stops, use a soft-bristle nylon brush, sponge or cloth (NOT a wire brush) to carefully descale the parts. Soak parts for 5 minutes (15 - 20 minutes for heavily scaled parts). Rinse all components with clean water.

**⚠ Caution**

Do not pour descaler or sanitizer solutions into the bin. The solution will leak out of the front of the bin and into the compressor compartment.

22. While components are soaking, descale all foodzone surfaces of the bin. Rinse all areas thoroughly with clean water.



23. Mix a solution of sanitizer and warm water.

Solution Type	Water	Mixed With
Sanitizer	6 gal. (23 l)	4 oz (120 ml) sanitizer

24. Use 1/2 of the sanitizer/water solution to sanitize all removed components. Use a cloth or sponge to liberally apply the solution to all surfaces of the removed parts or soak the removed parts in the sanitizer/water solution. Do not rinse parts after sanitizing.

25. Use 1/2 of the sanitizer/water solution to sanitize the dispenser bin, water trough and delivery spout. Use a cloth or sponge to liberally apply the solution. Do not rinse the sanitized areas.

26. Reinstall the removed parts, restore water and power supply and test run the ice machine.

**NOTE:** Disconnecting and reconnecting the power supply activates a 15 minute time delay. This delay period can not be over ridden. The delay period will start when power is restored and the ice machine starts after the 15 minute delay period expires.

### Cleaning the Condenser

#### **Warning**

Disconnect electric power to the ice machine and the remote condenser at the electric service switch before cleaning the condenser.

#### **Air-Cooled Condenser**

A dirty condenser restricts airflow, resulting in excessively high operating temperatures. This reduces ice production and shortens component life. Clean the condenser at least every six months. Follow the steps below.

#### **Caution**

The condenser fins are sharp. Use care when cleaning them.

1. The washable filter is designed to catch dust, dirt, lint and grease. This helps keep the condenser clean. Clean the filter with a mild soap and water solution.
2. Clean the outside of the condenser with a soft brush or a vacuum with a brush attachment. Clean from top to bottom, not side to side. Be careful not to bend the condenser fins.
3. Shine a flashlight through the condenser to check for dirt between the fins. If dirt remains:
  - A. Blow compressed air through the condenser fins from the inside. Be careful not to bend the fan blades.
  - B. Use a commercial condenser coil cleaner. Follow the directions and cautions supplied with the cleaner.
4. Carefully wipe off the fan blades and motor with a soft cloth. Do not bend the fan blades. If the fan blades are excessively dirty, wash with warm, soapy water and rinse thoroughly.

#### **Notice**

If you are cleaning the condenser fan blades with water, cover the fan motor to prevent water damage.

## Removal from Service/Winterization

### GENERAL

Special precautions must be taken if the ice machine head section is to be removed from service for an extended period of time or exposed to ambient temperatures of 32°F (0°C) or below.

**Notice**

If water is allowed to remain in the ice machine in freezing temperatures, severe damage to some components could result. Damage of this nature is not covered by the warranty.

Follow the procedure below.

1. Disconnect the electrical power at the circuit breaker or the electric service switch.
2. Turn off the water supply.
3. Disconnect and drain the incoming ice-making water line at the rear of the ice machine.
4. Disconnect drain tubing (from the inlet to dump valve) and drain water into container and discard.
5. Make sure water is not trapped in any of the water lines, drain lines, distribution tubes, etc.

THIS PAGE INTENTIONALLY LEFT BLANK



## Section 5 Troubleshooting

### Checklist

If a problem arises during operation of your ice machine, follow the checklist below before calling service. Routine adjustments and maintenance procedures are not covered by the warranty.

Problem	Possible Cause	To Correct
Ice machine does not operate Blue light on dispenser spout is off	No electrical power to the ice machine	Reset the breaker/turn on main power switch/plug cord into receptacle
	ICE/OFF/CLEAN toggle switch set improperly	Move toggle switch to the ICE position
Blue light on dispenser spout is on	Control Board fuse open	Replace the fuse
	15 minute delay has not expired	Wait 15 minutes for ice machine to start
	High Pressure Control is open	Clean filter and condenser
	Water reservoir is empty. (Water sensing switch must be closed to start the gearmotor)	Open water service valve or clean float valve screen
Gear Motor runs but compressor will not start.	Dirty air filter and/or condenser causes the high pressure cutout and compressor overload to open	Clean air filter and condenser - Disconnect power for minimum 4 hours then energize. If problem persists contact a qualified service company to determine cause.
Ice machine stops and can be restarted by moving the toggle switch to OFF and back to ICE	The SafeGuard feature is stopping the ice machine	Refer to "SafeGuard Feature" in service manual
Ice quality is poor	Poor incoming water quality	Contact a qualified service company to test the quality of the incoming water and check filter
	Water filtration is poor	Replace filter
	Incoming water temperature is above 90°F (32°C)	Correct water temperature. (Verify check/mixing valves in other equipment are working properly). Connect the ice machine to a cold water supply
	Water pressure is low	Water pressure must remain between 20 and 80 psig (138 and 552 kPa)
	Water softener is working improperly (if applicable)	Repair the water softener
Low ice capacity or Ice machine turns Off & On repeatedly	Incoming water supply is shut-off	Open the water service valve
	Water dump valve is leaking	Descale the dump valve
	Water Pressure is low. The water sensing switch turns off the ice machine repeatedly	Water pressure must remain between 20 and 80 psig (138 and 552 kPa)
	Incoming water temperature is above 90°F (32°C)	Correct water temperature. (verify check/mixing valves in other equipment is working properly)
	Frequent power interruptions or power surges/dips	Verify ice machine is on a separate circuit and power is stable
	Water float valve stuck open or leaking	Remove the float valve and clean it
	Objects stacked around ice machine, blocking airflow to condenser	Remove items blocking airflow
	High air temperature around ice machine	Air temperature must not exceed 110°F (43°C)
	Inadequate clearance around the ice machine	Provide adequate clearance
The condenser is dirty	Clean the condenser	

THIS PAGE INTENTIONALLY LEFT BLANK

# Avis de sécurité

## Avis de sécurité

### Lire ces précautions pour éviter les blessures corporelles :

- Lire attentivement ce manuel avant de faire fonctionner, d'installer ou de faire un entretien sur l'équipement. Ne pas suivre les instructions dans ce manuel peut entraîner des dégâts matériels, des blessures corporelles, voire même la mort.
- Les réglages courants et les procédures d'entretien figurant dans ce manuel ne sont pas couverts par la garantie.
- L'installation, le soin et l'entretien sont essentiels à un rendement maximal et un fonctionnement sans problème de l'appareil. Visiter notre site Web à [www.manitowocice.com](http://www.manitowocice.com) pour trouver des mises à jour manuelles, des traductions ou les coordonnées de services de réparation dans votre région.
- Cet appareil présente des tensions électriques et des charges de fluide frigorigène. L'installation et les réparations doivent être effectuées par des techniciens compétents et conscients des dangers propres aux tensions électriques élevées et au fluide frigorigène sous pression. Le technicien doit également être certifié comme il se doit concernant les procédures de manutention de fluide frigorigène et d'entretien. Toutes les procédures de verrouillage et d'étiquetage doivent être suivies lors d'une intervention sur cet appareil.
- Cet appareil est destiné à une utilisation à l'intérieur uniquement. Ne pas l'installer ni l'utiliser à l'extérieur.

## DÉFINITIONS

### DANGER

Indique une situation dangereuse qui, si elle n'est pas évitée, entraînera la mort ou des blessures graves. Cela s'applique aux situations les plus extrêmes.

### Avertissement

Indique une situation dangereuse qui, si elle n'est pas évitée, peut entraîner la mort ou des blessures graves.

### Attention

Indique une situation dangereuse qui, si elle n'est pas évitée, peut entraîner des blessures légères à modérées.

### Avis

Indique une information considérée comme étant importante, mais sans rapport avec un danger (message concernant des dégâts matériels, par ex.).

### Avertissement

#### Suivre ces précautions pour éviter des blessures corporelles durant l'installation de cet appareil :

- L'installation doit être conforme à tous les codes d'hygiène et de protection incendie des équipements en vigueur.
- Pour éviter toute instabilité, la surface de pose doit pouvoir soutenir le poids combiné de l'appareil et du produit. En outre, l'appareil devra être niveau latéralement et d'avant en arrière.
- Déposer tous les panneaux amovibles avant de soulever et d'installer l'appareil et utiliser l'équipement de sécurité approprié pendant l'installation et l'entretien. Au moins deux personnes sont nécessaires pour soulever et déplacer cet appareil sans risque de basculement ou de blessure.
- Connecter à une alimentation en eau potable uniquement.
- Veiller à ne pas endommager le circuit de réfrigération lors de l'installation, de l'entretien ou de la réparation de l'appareil.

### Avertissement

#### Respecter ces caractéristiques électriques durant l'installation de cet appareil.

- Tout le câblage local doit être conforme à tous les codes pertinents en vigueur. Il appartient à l'utilisateur final de fournir un moyen de sectionnement conforme aux codes en vigueur. Voir la tension correcte sur la plaque signalétique.
- Cet appareil doit être mis à terre.
- Cet appareil devra être placé de telle façon que la fiche soit accessible, sauf si un autre moyen de sectionnement de l'alimentation électrique (disjoncteur ou sectionneur, par exemple) est prévu.
- Vérifier tous les raccordements de câbles, y compris ceux des bornes d'usine, avant utilisation. Les raccordements peuvent s'être desserrés durant le transport et l'installation.

REMARQUE : Indique une information supplémentaire utile concernant la procédure exécutée.

**⚠ DANGER**

Ne pas utiliser l'appareil s'il a fait l'objet d'un emploi abusif ou détourné, de négligences, de dommages ou de modifications non conformes aux spécifications du fabricant d'origine. Cet appareil n'est pas conçu pour être utilisé par des personnes (y compris des enfants) aux capacités physiques, sensorielles ou mentales réduites ou n'ayant pas une expérience ou des connaissances suffisantes, sauf si elles sont supervisées par une personne responsable de leur sécurité. Ne pas permettre aux enfants de jouer avec cet appareil, de le nettoyer ou d'effectuer son entretien sans une surveillance appropriée.

**⚠ Avertissement**

**Suivre ces précautions pour éviter les blessures corporelles durant l'utilisation et l'entretien de cet appareil :**

- Lire attentivement ce manuel avant de faire fonctionner, d'installer ou de faire un entretien sur l'équipement. Ne pas suivre les instructions dans ce manuel peut entraîner des dégâts matériels, des blessures corporelles, voire même la mort.
- Danger d'écrasement ou de pincement. Garder les mains à l'écart des mécanismes en mouvement. Ces mécanismes peuvent bouger soudainement sauf si l'alimentation électrique est coupée et que toutes l'énergie potentielle est éliminée.
- La collecte d'humidité sur le sol peut créer une surface glissante. Nettoyer toute eau sur le sol immédiatement pour éviter les risques de glissement.
- Les objets placés ou tombés dans le bac peuvent affecter la santé et la sécurité des personnes. Trouver et enlever tous ces objets immédiatement.
- Ne jamais utiliser d'objets ou outils coupants pour éliminer la glace ou le givre. Ne pas utiliser de moyens mécaniques ou autres pour accélérer le processus de dégivrage.
- Lors de l'utilisation de liquides de détartrage ou autres produits chimiques, porter des gants en caoutchouc et une protection oculaire (et/ou un écran facial).

**⚠ DANGER**

**Suivre ces précautions pour éviter les blessures corporelles durant l'utilisation et l'entretien de cet appareil :**

- Le propriétaire de l'appareil a pour responsabilité d'effectuer une évaluation des risques et de l'équipement de protection individuelle pour assurer une protection suffisante durant les opérations d'entretien.
- Ne pas stocker ni utiliser d'essence ou d'autres vapeurs ou liquides inflammables à proximité de cet appareil ou de tout autre appareil. Ne jamais utiliser de chiffons imbibés d'huile inflammable ou de solutions nettoyantes combustibles pour le nettoyage.
- Tous les couvercles et panneaux d'accès doivent être en place et convenablement fermés durant l'utilisation de cet appareil.
- Risque d'incendie et de choc électrique. Veiller à respecter tous les dégagements minimaux. Ne pas obstruer les ouvertures ni les grilles d'aération de l'appareil.
- Tout manquement à couper l'alimentation électrique au niveau du sectionneur principal peut entraîner des blessures graves ou la mort. L'interrupteur d'alimentation NE coupe PAS toutes les arrivées de courant électrique.
- Les prises et raccordements aux réseaux d'alimentation doivent être entretenus en conformité avec la réglementation en vigueur.
- Couper et verrouiller toutes les sources d'alimentation (électricité, eau) conformément à des pratiques homologuées lors de l'entretien et des réparations.
- Ne jamais utiliser de jet d'eau sous haute pression pour nettoyer l'intérieur ou l'extérieur de cet appareil. Ne pas utiliser d'outil de nettoyage électrique, de laine d'acier, de racloir ni de brosse métallique sur les surfaces peintes ou en acier inoxydable.
- Au moins deux personnes sont nécessaires pour soulever et déplacer cet appareil sans risque de basculement.
- Ces appareils doivent être retenus/attachés en conformité avec tous les codes en vigueur.
- Le responsable du site devra s'assurer que les utilisateurs soient conscients des dangers liés à l'utilisation de ce matériel.
- Ne pas faire fonctionner l'appareil avec un cordon ou une fiche endommagés. Toutes les réparations doivent être effectuées par un technicien d'entretien qualifié.

# Table des matières

---

## Avis de sécurité

<b>Avis de sécurité</b> .....	<b>1</b>
Définitions .....	1

## Section 1

### Informations générales

<b>Références des modèles</b> .....	<b>5</b>
<b>Accessories</b> .....	<b>5</b>
détartrant désinfectant Manitowoc .....	5
Pieds.....	5
Option de détection touchless.....	5

## Section 2

### Installation

<b>Emplacement de la machine à glaçons</b> .....	<b>7</b>
<b>Conditions d'espace requises pour la machine à glaçons</b> .....	<b>7</b>
Étanchéité au plan de travail ou de stand .....	7
<b>Alimentation électrique</b> .....	<b>8</b>
Tension .....	8
Fusible/Disjoncteur .....	8
Courant admissible de circuit total .....	8
<b>Conditions électriques requises</b> .....	<b>8</b>
<b>Alimentation en eau et évacuations</b> .....	<b>8</b>
Alimentation en eau potable .....	8
Lignes d'arrivée d'eau potable .....	8
Raccordements d'évacuation .....	8
Dimensionnement/raccordement des conduites d'alimentation en eau et d'évacuation	9
<b>Avant la mise en marche de la machine à glaçons</b> .....	<b>10</b>
Liste de vérification d'installation .....	10

## Section 3

### Fonctionnement

<b>Séquence de fonctionnement</b> .....	<b>11</b>
Temporisateur de 15 minutes .....	11
Avant la mise en service.....	11
Démarrage initial.....	11
Cycle de congélation .....	11
Arrêt automatique .....	11
Remise en marche après arrêt automatique.....	11
<b>Vérifications opérationnelles</b> .....	<b>12</b>
Généralités .....	12
Fonctionnement.....	12

## Section 4

### Entretien

<b>Détartrage et désinfection</b> .....	<b>13</b>
Généralités .....	13
Nettoyage extérieur .....	13
Procédure de détartrage de maintenance préventive .....	14
Procédure de détartrage des machines à glaçons flake/nugget [écailles/pépites] fortement	

Table des matières (suite)

---

entartrées.....	15
Procédure de détartrage .....	15
Procédure de désinfection .....	16
<b>Démontage de composants pour détartrage/désinfection .....</b>	<b>17</b>
<b>Nettoyage du condenseur.....</b>	<b>20</b>
<b>Mise hors service/Hivérisation .....</b>	<b>21</b>
Généralités .....	21
<b>Section 5</b>	
<b>Dépannage</b>	
Liste de vérification .....	23

# Section 1

## Informations générales

---

### Références des modèles

Le présent manuel s'applique aux modèles suivants :

Activation par levier	Activation par détecteur Touchless
CNF201A-161L CNF201A-251L	CNF201A-161 CNF201A-251 CNF0201-261
CNF202A-161L CNF202A-251L	CNF202A-161 CNF202A-251 CNF0202-261

### Accessories

#### DÉTARTRANT DÉSINFECTANT MANITOWOC

Le détartrant et le désinfectant pour machines à glaçons Manitowoc sont disponibles en bouteilles pratiques de 473 ml (16 oz) et de 3,78 l (1 gallon). Ce détartrant et ce désinfectant sont les seuls produits approuvés pour les machines Manitowoc.

Référence du détartrant		Référence du désinfectant	
473 ml (16 oz.)	000000084	473 ml (16 oz.)	94-0565-3
		3,78 l (1 Gallon)	94-0581-3

#### PIEDS

Des pieds réglables de quatre pouces sont disponibles en option.

#### OPTION DE DÉTECTION TOUCHLESS

Le mécanisme de détection Touchless peut être commandé installé sur la machine à glaçons en usine ou un kit de conversion sur place est également disponible. Le kit de conversion sur place inclut un panneau avant de remplacement ainsi que des instructions d'installation.

CETTE PAGE LAISSÉE EN BLANC INTENTIONNELLEMENT



## Section 2 Installation

Ces instructions sont fournies pour assister l'installateur qualifié. Consulter les Pages jaunes locales pour trouver le nom du distributeur Manitowoc le plus proche ou appeler Manitowoc Foodservice pour toute information concernant les services de mise en route.

### Important

Le non-respect de ces directives d'installation risque d'affecter la couverture de garantie.

### Emplacement de la machine à glaçons

Le choix de l'emplacement pour la machine à glaçons doit respecter les critères suivants. Si l'un de ces critères n'est pas respecté, choisir un autre emplacement.

- L'emplacement doit être exempt d'agents aéroportés et de toute autre substance contaminante.
- La température de l'air doit être au moins de 7°C (45°F) sans toutefois excéder 43°C (110 °F).
- La température de l'eau doit être au moins de 7°C (45°F) sans toutefois excéder 32°C (90 °F).
- L'emplacement ne doit pas se trouver à proximité d'appareils générateurs de chaleur ou à la lumière directe du soleil.
- L'emplacement doit pouvoir supporter le poids de la machine à glaçons et un bac plein de glaçons, et permettre à la machine à glaçons d'être nivelée d'avant en arrière et latéralement.
- L'emplacement doit prévoir suffisamment de dégagement pour les prises d'eau et raccords électriques à **l'arrière de la machine à glaçons**. L'évacuation peut être acheminée vers l'extérieur de l'arrière ou du bas du distributeur.
- L'emplacement ne doit pas obstruer l'écoulement d'air dans la machine ou autour de celle-ci. Le flux d'air entre sur la gauche et sort par le haut. Consulter le tableau pour obtenir les conditions d'espace requises.

Ces machines à glaçons sont prévues pour un usage domestique et applications similaires telles :

- Les cuisinettes d'employés dans des magasins, des bureaux et autres environnements de travail.
- Les clients des hôtels, des motels, des auberges, des chambres d'hôtes et autres environnements de type résidentiel.
- Restauration et applications similaires non au détail.

### ⚠ Attention

Afin d'éviter toute instabilité, la machine à glaçons doit être installée dans un endroit pouvant supporter son poids ainsi qu'un bac plein de glaçons.

### Conditions d'espace requises pour la machine à glaçons

	CNF201	CNF202
Haut	61 cm (24")	61 cm (24")
Côtés	20 cm (8")	20 cm (8")
Arrière*	13 cm (5")	13 cm (5")

\* Un espace de 13 cm (5") est recommandé pour l'entretien de la machine à glaçons. L'espace peut être de 0 cm lorsque les raccords d'eau et d'évacuation sortent du bas de la machine à glaçons.

### Avis

La partie principale de la machine à glaçons doit être protégée si elle est susceptible d'être soumise à des températures inférieures à 0°C (32°F). Toute défaillance due à une exposition à des températures inférieures à 0°C n'est pas couverte par la garantie. Voir la section « Mise hors service/Hivernisation ».

### ÉTANCHÉITÉ AU PLAN DE TRAVAIL OU DE STAND

Les machines à glace installées sans jambes doivent être scellées sur le comptoir ou debout. Cela empêche les liquides ou les débris de l'infiltration sous la machine à glace.

## Alimentation électrique

### ⚠ Avertissement

Tout le câblage doit être conforme aux codes locaux, régionaux et nationaux.

### TENSION

La variation de tension admissible maximale est de  $\pm 10\%$  de la tension nominale sur la plaque de référence/numéro de série de la machine à glaçons (lorsque la charge électrique est la plus haute).

### FUSIBLE/DISJONCTEUR

Un fusible/disjoncteur séparé doit être fourni pour chaque machine à glaçons. Les disjoncteurs doivent être de catégorie H.A.C.R. (ne s'applique pas au Canada).

**Les machines à glaçons 115/60/1** sont pré-câblées en usine avec un cordon d'alimentation et une fiche 5-15P.

**Les machines à glaçons 230/60/1 et 230/50/1** sont pré-câblées en usine avec un cordon d'alimentation, aucune fiche n'est fournie.

### ⚠ Avertissement

La machine à glaçons doit être mise à la terre conformément aux codes de l'électricité nationaux et locaux.

### COURANT ADMISSIBLE DE CIRCUIT TOTAL

Le courant admissible de circuit total permet de sélectionner la dimension de câble de l'alimentation électrique.

La dimension de câble (ou le calibre) dépendant également de l'emplacement, des matériaux utilisés, de la longueur de la conduite, etc., celle-ci doit être déterminée par un électricien qualifié.

### Conditions électriques requises

Machine à glaçons	Tension/Phase/Cycle	Refroidissement à l'air
		Intensité totale du circuit
CNF201	115/1/60	10.3
	230/1/60	
	230/1/50	
CNF202	115/1/60	5.4
	230/1/60	
	230/1/50	

## Alimentation en eau et évacuations

### ALIMENTATION EN EAU POTABLE

En fonction des conditions d'eau locales, il peut s'avérer nécessaire de traiter l'eau pour empêcher la formation de tartre, filtrer les sédiments et éliminer le goût et l'odeur du chlore.

### ⚠ Avertissement

#### RISQUE DE BLESSURES CORPORELLES

Pour la fabrication de glaçons, connecter à une alimentation en eau potable uniquement.

### Important

Pour installer un système de filtration d'eau Manitowoc, consulter les Instructions d'installation fournies avec le système de filtration pour les raccordements d'arrivée d'eau de fabrication des glaçons.

### LIGNES D'ARRIVÉE D'EAU POTABLE

Suivre ces directives pour l'installation des lignes d'arrivée d'eau :

- Ne pas raccorder la machine à glaçons à une alimentation en eau chaude. S'assurer que tous les restricteurs d'eau chaude installés pour les autres appareils fonctionnent (clapets de non-retour sur robinets d'éviers, lave-vaisselle, etc.).
- Si la pression de l'eau dépasse la pression maximale recommandée (551,5 kPa [80 psig]), se procurer un régulateur de pression d'eau auprès d'un distributeur Manitowoc.
- Installer un robinet d'arrêt de l'eau et un raccord union pour les lignes d'eau de fabrication de glaçons.
- Isoler les lignes d'arrivée d'eau pour éviter les problèmes de condensation.

### RACCORDEMENTS D'ÉVACUATION

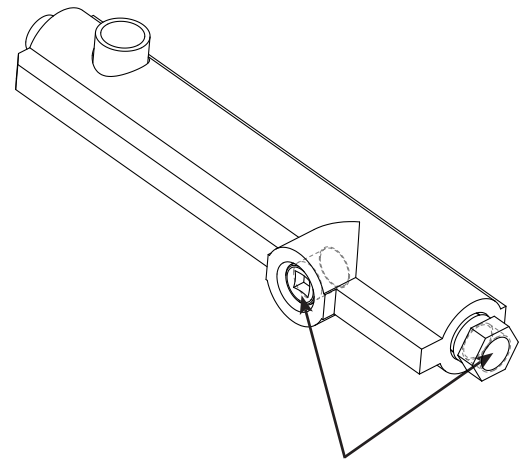
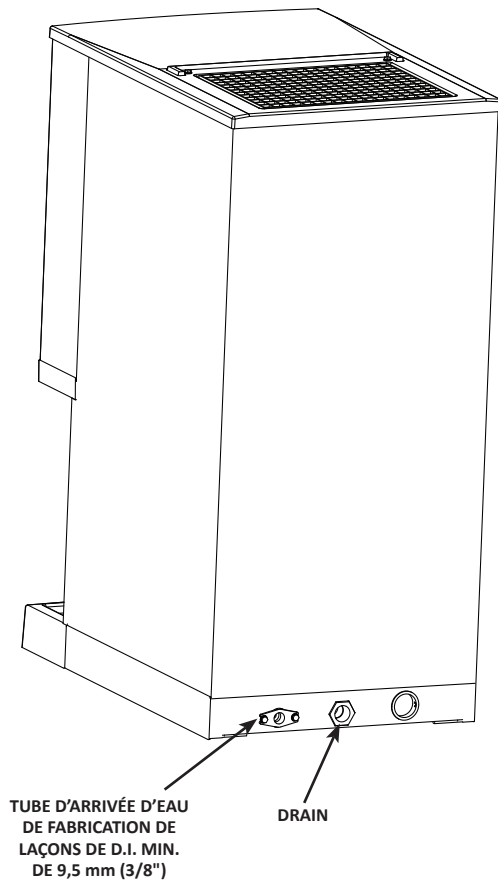
Suivre ces directives lors de l'installation des conduites d'évacuation :

- Les lignes d'évacuation doivent avoir une inclinaison de 2,5 cm par mètre (1,5 pouce par 5 pieds) et ne doivent pas créer de siphons.
- Le siphon de sol doit être suffisamment grand pour recevoir l'eau provenant de toutes les évacuations.
- Isoler les conduites d'évacuation pour prévenir la condensation.
- Les évacuations doivent être équipées d'un raccord-union ou de tout autre moyen adapté permettant de déconnecter la machine à glaçons pour des raisons de maintenance.

**DIMENSIONNEMENT/RACCORDEMENT DES CONDUITES D'ALIMENTATION EN EAU ET D'ÉVACUATION****⚠ Attention**

La tuyauterie doit être conforme aux codes locaux et régionaux.

Emplacement	Température de l'eau	Pression d'eau	Raccordement de la machine à glaçons	Dimension de tubulure jusqu'à raccordement de machine à glaçons
Arrivée d'eau de la machine à glaçons	6 °C (45 °F) Mini. 32 °C (90 °F) Maxi.	137,9 kPa (20 psi) Mini. 551,5 kPa (80 psi) Maxi.	3/8" Filetage femelle de tuyau	9,5 mm (3/8") diamètre intérieur minimum
Évacuation de machine à glaçons	---	---	1/2" Filetage femelle de tuyau	19 mm (3/4") diamètre intérieur minimum



CONNEXION DE DRAIN EST INTERCHANGEABLE

DRAIN EST PRÉINSTALLÉ POUR SORTIR DE L'ARRIÈRE  
DÉPLACER LA BONDE POUR FAIRE COULER L'ÉVACUATION PAR LE BAS SI DÉSIRÉ

**Installation d'évacuation d'alimentation en eau type**

## Avant la mise en marche de la machine à glaçons

### LISTE DE VÉRIFICATION D'INSTALLATION

v	Item de liste de vérification
	La machine à glaçons est-elle à niveau ?
	Tout l'emballage interne a-t-il été retiré ?
	Tous les raccordements électriques et d'eau ont-ils été effectués ?
	La tension d'alimentation a-t-elle été testée et vérifiée par rapport à la valeur nominale indiquée sur la plaque signalétique ?
	Y a-t-il un espace approprié autour de la machine à glaçons pour la circulation d'air ?
	La machine à glaçons a-t-elle été installée là où des températures ambiantes resteront dans la fourchette de 7 à 43 °C (45 à 110 °F) ?
	La machine à glaçons a-t-elle été installée là où la température d'eau entrante restera dans la fourchette de 7 à 32 °C (45 à 90 °F) ?
	Tous les fils électriques sont-ils exempts de contact des lignes de réfrigération et de l'équipement mobile ?
	Le propriétaire/l'opérateur ont-ils été informés de l'entretien et de l'utilisation du détartrant et du désinfectant Manitowoc ?
	La carte de garantie a-t-elle été envoyée à l'usine ?
	La machine à glaçons et le distributeur ont-ils été désinfectés ?
	Ce manuel a-t-il été remis au propriétaire ou à l'opérateur ?
	Le réservoir d'eau est-il approximativement aux 2/3 plein d'eau ?
	Le commutateur à bascule a-t-il été mis en position ICE ? (Le commutateur est situé derrière le couvercle avant)

Toutes les machines à glaçons Manitowoc sont mises en route et ajustées en usine avant l'expédition. Normalement, les nouvelles installations ne requièrent aucun ajustement. Pour garantir un bon fonctionnement, suivre les Vérifications opérationnelles figurant à la Section 3 du présent manuel.

Les réglages et les procédures de maintenance indiqués dans ce manuel ne sont pas couverts par la garantie.

#### **▲ Avertissement**

#### **Situation comportant un risque de blessure corporelle**

Ne pas utiliser un équipement qui aura été mal utilisé, abusé, négligé, endommagé ou dont les spécifications originales de fabrication auront été altérées/modifiées.

## Section 3

# Fonctionnement

---

### Séquence de fonctionnement

#### TEMPORISATEUR DE 15 MINUTES

Le délai de 15 minutes doit être expiré avant de pouvoir mettre sous tension le moteur à engrenages ou le compresseur.

Le délai commence à temporiser sur application de l'alimentation ou sur mouvement du commutateur à bascule de OFF à ICE.

Le délai commence quand :

- la machine à glaçons entre en arrêt automatique
- l'alimentation est déconnectée et reconnectée
- le commutateur à bascule passe de OFF à ICE

Cette période de temporisation ne peut pas être passée outre et se réinitialisera à 15 minutes si l'une des conditions ci-dessus se produit.

#### AVANT LA MISE EN SERVICE

Lorsque le commutateur à bascule est mis en position ICE, ce qui suit doit se produire dans l'ordre indiqué avant que la machine ne se mette en marche.

- L'amortisseur de goulotte à glaçons doit se trouver en position fermée ou abaissée.
- le délai de 15 minutes doit être expiré. Le délai commence sur application de l'alimentation et mouvement du commutateur à bascule de OFF à ICE.
- Le commutateur de détection d'eau doit être fermé (réservoir d'eau plein d'eau et flotteur de détection d'eau en position relevée).

#### DÉMARRAGE INITIAL

La mise sous tension et/ou le mouvement du commutateur à bascule de OFF à ICE lancera une temporisation de 15 minutes. Cette temporisation ne peut pas être passée outre. L'interrupteur de détection d'eau fermé (réservoir plein d'eau), le moteur à engrenages se mettra sous tension à la fin de la temporisation de 15 minutes. Le compresseur et le moteur de ventilateur du condenseur se mettent sous tension 5 secondes après le générateur.

#### CYCLE DE CONGÉLATION

Le robinet à flotteur maintient automatiquement le niveau d'eau dans le réservoir. L'amortisseur de glaçons s'ouvre et se ferme pour vérifier la production de glaçons. La machine à glaçons continuera de fabriquer des glaçons jusqu'à ce que l'amortisseur de glaçons soit maintenu ouvert (relevé) tandis que les glaçons remplissent le bac.

#### ARRÊT AUTOMATIQUE

Lorsque l'amortisseur de glaçons est maintenu ouvert par les glaçons, le moteur à engrenages, le compresseur et le ventilateur de condenseur se mettent hors tension. Le délai de quinze minutes commence à temporiser. La machine à glaçons restera hors tension jusqu'à expiration du délai de 15 minutes et fermeture de l'amortisseur à glaçons.

#### REMISE EN MARCHE APRÈS ARRÊT AUTOMATIQUE

1. **Moins de 4 heures se sont écoulées depuis l'arrêt automatique.**

L'interrupteur de détection d'eau fermé (réservoir plein d'eau), le moteur à engrenages se mettra sous tension à la fin de la temporisation de 15 minutes. Le compresseur et le moteur de ventilateur du condenseur se mettent sous tension 5 secondes après le générateur.

2. **Plus de 4 heures se sont écoulées depuis l'arrêt automatique.**

Le robinet d'évacuation se met sous tension pour évacuer l'évaporateur. Au bout de 30 secondes, le robinet d'évacuation se met hors tension. Lorsque le réservoir se remplit d'eau, l'interrupteur de détection d'eau se ferme et le moteur à engrenages se met sous tension. Le compresseur et le moteur de ventilateur du condenseur se mettent sous tension 5 secondes après le générateur.

## Vérifications opérationnelles

### GÉNÉRALITÉS

Les machines à glaçons Manitowoc sont mises en route et ajustées en usine avant l'expédition. Normalement, une machine à glaçons nouvellement installée ne requiert pas d'être ajustée.

Pour garantir un bon fonctionnement, toujours suivre les Vérifications opérationnelles :

- lors de la mise en marche de la machine à glaçons pour la première fois
- après une période prolongée hors service
- après le détartrage et la désinfection

REMARQUE : Les réglages de routine et les procédures de maintenance périodique indiqués dans ce manuel ne sont pas couverts par la garantie.

### Voyant bleu

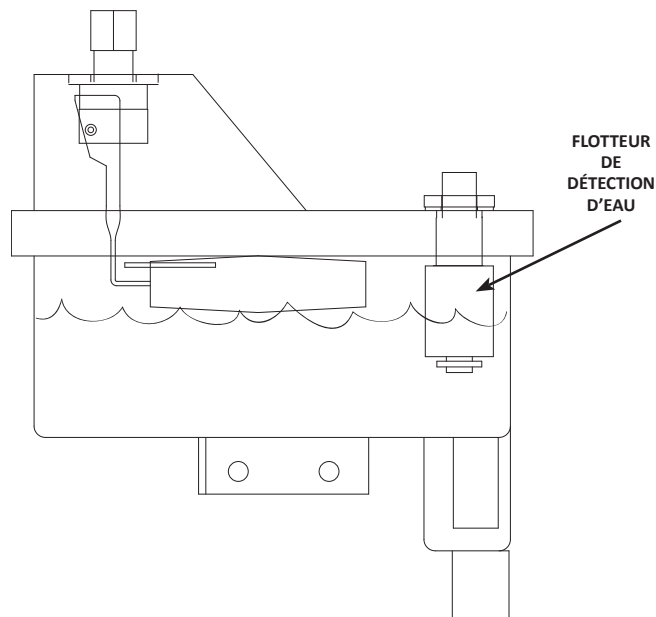
Le voyant bleu sur le bec de distribution se met sous tension lorsque le commutateur à bascule est position ICE et que la machine à glaçons est opérationnelle. Si le voyant n'est pas sous tension, la machine à glaçons ne fabrique pas de glaçons. Consulter la Section 5 Dépannage clientèle si la machine à glaçons est alimentée et que le voyant n'est pas sous tension.

### Commutateur à bascule

Le commutateur à bascule doit être mis en position ON pour fabriquer des glaçons.

### Réservoir d'eau

Le réservoir d'eau doit être aux 2/3 plein d'eau et le flotteur de détection d'eau doit être relevé (interrupteur fermé) avant que la machine à glaçons ne se mette en marche.



### Production de glaçons

Laisser la machine à glaçons produire des glaçons pendant 15 minutes avant de tester le mécanisme de distribution et ce, pour garantir une quantité de glaçons dans le bac suffisante pour la distribution.

### FONCTIONNEMENT

1. Régler le sélecteur (s'il y a lieu)

Appuyer sur le bouton adjacent au texte.

- Sélectionner ICE pour la distribution de glaçons uniquement
- Sélectionner ICE/WATER pour l'eau et les glaçons
- Sélectionner WATER pour l'eau uniquement

2. Distribution

#### ACTIVATION PAR LEVIER

Utiliser un verre ou un récipient pour appuyer sur le bras du distributeur en arrière. Relâcher le bras et la machine à glaçons s'arrête de distribuer.

#### ACTIVATION AU CENTRE TOUCHLESS

Placer un verre ou un récipient sous le bec de distribution à moins de 2,5 cm (1") du détecteur. La machine distribuera automatiquement des glaçons. Retirer le verre ou le récipient pour stopper la distribution.

## Section 4

### Entretien

#### Détartrage et désinfection

##### GÉNÉRALITÉS

Le propriétaire est responsable de l'entretien de la machine à glaçons conformément aux instructions figurant dans le présent manuel. Les procédures d'entretien ne sont pas couvertes par la garantie.

Les procédures de désinfection pour l'extérieur, correctives et détaillées peuvent être effectuées indépendamment et plus fréquemment que le détartrage si nécessaire.

Détartrer et désinfecter la machine à glaçons tous les six mois pour un fonctionnement efficace. Si la machine à glaçons requiert un détartrage et une désinfection plus fréquents, contacter une entreprise de maintenance qualifiée pour tester la qualité de l'eau et recommander un traitement approprié de l'eau. Si besoin est, une machine à glaçons extrêmement sale peut être démontée pour le détartrage et la désinfection.

L'utilisation de détartrants, détartrant s, désinfectants ou solutions autres que Manitowoc peut entraîner des blessures corporelles ou des dommages à la machine à glaçons qui ne sont pas couverts par la garantie.

##### **Attention**

Utiliser uniquement le détartrant (référence 000000084) et le désinfectant (référence 94-0565-3) pour machine à glaçons approuvés par Manitowoc. Ne pas mélanger les solutions détartrant es et désinfectantes. Utiliser ces solutions sans tenir compte des instructions figurant sur les étiquettes est une violation de la loi fédérale. Lire et comprendre toutes les étiquettes imprimées sur les flacons avant utilisation.

##### **Avertissement**

Porter des gants en caoutchouc et des lunettes de sécurité (et/ou un masque) lors de la manipulation du détartrant ou du désinfectant pour machine à glaçons.

##### NETTOYAGE EXTÉRIEUR

Une fois par semaine : retirer la grille du plateau de rebut de glace et essuyer le panneau anti-éclaboussures, le plateau de rebut de glace et la grille à l'aide de la solution désinfectant et eau (consulter la page 16). Vider l'excès de solution du plateau de rebut de glace pour dégager l'évacuation.

##### **DÉTECTEUR TOUCHLESS UNIQUEMENT**

Essuyer le hublot du détecteur à l'aide d'un chiffon doux et d'un détergent doux. Rincer à l'eau claire et essuyer avec un chiffon doux propre.

##### **PROCÉDURES**

La présente machine à glaçons Manitowoc a trois procédures de nettoyage séparées.

##### **Procédure de détartrage de maintenance préventive**

Effectuer cette procédure tel qu'il le faut pour les conditions d'eau. Procédure recommandée une fois par mois.

- Permet de détartrer la machine à glaçons sans retirer tous les glaçons du bac
- Élimine les dépôts minéraux des zones ou surfaces directement en contact avec l'eau pendant le cycle de congélation (réservoir, évaporateur, pointeau, conduites d'évacuation)

##### **Procédure de détartrage et de désinfection**

Cette procédure doit être suivie au moins une fois tous les six mois.

- Retirer tous les glaçons du bac.
- La machine à glaçons et le bac doivent être démontés, nettoyés et désinfectés.
- La machine à glaçons produit des glaçons avec les solutions détartrant es et désinfectantes.
- Tous les glaçons produits pendant les procédures de détartrage et de désinfection doivent être jetés.

##### **Procédure de détartrage des machines fortement entartrées**

Exécuter cette procédure en présence de l'un ou de tous les symptômes suivants.

- Grincements, claquements ou sifflements provenant de l'évaporateur
- Grincements provenant de la boîte d'engrenages
- La machine à glaçons s'arrête sur Arrêt de sécurité
- L'eau a une forte concentration de minéraux
- La machine à glaçons n'a pas fait l'objet d'un entretien périodique

Effectuer une procédure de détartrage tel qu'il l'est décrit ci-dessus une fois cette procédure terminée.

REMARQUE : Une procédure de désinfection doit être effectuée une fois que toutes les procédures de détartrage sont terminées.

## PROCÉDURE DE DÉTARTRAGE DE MAINTENANCE PRÉVENTIVE

Utiliser le détartrant pour machine à glaçons pour éliminer la chaux de tartre ou tout autre dépôt minéral. Ne pas l'utiliser pour éliminer les algues ou tout film biologique. Pour éliminer les algues et les films biologiques, consulter la section « Procédure de désinfection ». Pour initier un cycle de détartrage à l'aide de la technologie de nettoyage de Manitowoc, procéder de la manière suivante.

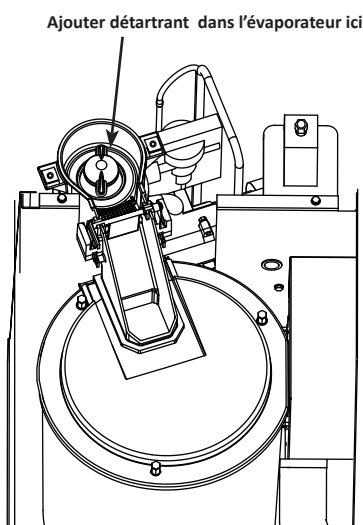
**Étape 1** Pour démarrer un cycle de nettoyage, mettre le commutateur à bascule en position CLEAN. L'eau s'écoulera par le robinet d'évacuation d'eau et par l'évacuation d'eau.

**Étape 2** Retirer le panneau supérieur et le couvercle de goulotte à glaçons en plastique translucide. Patienter environ une minute puis ajouter la quantité appropriée de détartrant pour machine à glaçons Manitowoc. Rincer le détartrant à partir du haut de l'évaporateur avec 60 ml (2 onces) d'eau claire et remettre le couvercle en place.

Modèle	Quantité de détartrant
CNF201 CNF202	60 ml (2 once)

### Attention

Utiliser uniquement le détartrant pour machines à glaçons approuvé par Manitowoc. Utiliser ces solutions sans tenir compte des instructions figurant sur les étiquettes est une violation de la loi fédérale. Lire et comprendre toutes les étiquettes imprimées sur les flacons avant utilisation.



**Étape 3** La machine à glaçons effectuera un cycle de lavage, une série de cycles de rinçage et s'arrêtera. Le cycle complet dure approximativement 30 minutes.

REMARQUE : Un détartrage périodique doit être effectué sur les superficies adjacentes qui ne sont pas en contact avec le système de distribution d'eau.

REMARQUE : La machine à glaçons peut être réglée pour commencer et finir une procédure de détartrage, puis à reprendre automatiquement la fabrication de glaçons.

- A. Une fois le détartrant ajouté, changer le commutateur de la position CLEAN en position ICE.
- B. Une fois le cycle de détartrage terminé, la fabrication de glaçons reprend automatiquement.

### Modification de la position du commutateur à bascule pendant le cycle de nettoyage :

1. Moins de 60 seconde après le début du cycle de nettoyage - Le cycle de nettoyage se terminera lorsque le commutateur à bascule est mis en position OFF.
2. Plus de 60 secondes après le début du cycle de nettoyage - La machine à glaçons terminera le cycle de nettoyage. Une fois le cycle de nettoyage terminé, la position du commutateur à bascule déterminera le cycle suivant.
  - POSITION CLEAN - La machine à glaçons attendra un changement de position du commutateur à bascule.
  - POSITION OFF - La machine à glaçons attendra un changement de position du commutateur à bascule.
  - POSITION ICE - La machine à glaçons commencera automatiquement la fabrication de glaçons.

Manitowoc recommande de démonter, de détartrer et de désinfecter la machine à glaçons et le distributeur tous les six mois.



### PROCÉDURE DE DÉTARTRAGE DES MACHINES À GLAÇONS FLAKE/NUGGET [ÉCAILLES/PÉPITES] FORTEMENT ENTARTRÉES

Les machines à glaçons qui sont fortement entartrées ou qui n'ont pas été nettoyées régulièrement devront faire l'objet de cette procédure. Ne pas effectuer cette procédure risque de provoquer un grippage du pointeur au fur et à mesure que le calcaire se libère du pointeur et du baril d'évaporateur.

**Étape 1** Retirer les panneaux et régler le commutateur à bascule ICE/OFF/CLEAN en position OFF.

**Étape 2** Retirer tous les glaçons du bac.

**Étape 3** Couper l'alimentation d'eau à la machine à glaçons.

**Étape 4** Mettre le commutateur à bascule ICE/OFF/CLEAN en position CLEAN. Le robinet d'évacuation s'ouvrira et évacuera l'eau de l'évaporateur et du réservoir.

**Étape 5** Patienter environ 30 secondes (ou jusqu'à ce que l'évaporateur soit vidé) et mettre le commutateur à bascule en position OFF.

**Étape 6** Consulter le tableau et ajouter la quantité correcte de détartrant pour le modèle de machine à glaçons.

Modèle	Quantité de détartrant
CNF201 CNF202	355 ml (12 once)

**Étape 7** Ouvrir l'alimentation d'eau à la machine à glaçons.

#### Important

Laisser la solution détartrant /eau dans l'évaporateur pendant au moins 4 heures.

**Étape 8** Mettre le commutateur à bascule en position ICE. Le compresseur se mettra sous tension et produira des glaçons avec la solution de détartrage. Continuer le cycle de congélation pendant 15 minutes.

**Étape 9** Mettre le commutateur à bascule en position OFF puis suivre les procédures standard de détartrage (page 15) et de désinfection (page 16).

### PROCÉDURE DE DÉTARTRAGE

Les machines à glaçons qui sont fortement entartrées ou qui n'ont pas été nettoyées régulièrement devront faire l'objet de la procédure de détartrage de machines fortement entartrées avant cette procédure. Ne pas effectuer cette procédure risque de provoquer un grippage du pointeur au fur et à mesure que le calcaire se libère du pointeur et du baril d'évaporateur.

Utiliser le détartrant pour machine à glaçons pour éliminer la chaux de tartre ou tout autre dépôt minéral. Ne pas l'utiliser pour éliminer les algues ou tout film biologique. Pour éliminer les algues et les films biologiques, consulter la section « Procédure de désinfection ».

**Étape 1** Retirer les panneaux et régler le commutateur à bascule ICE/OFF/CLEAN en position OFF.

**Étape 2** Couper l'alimentation d'eau à la machine à glaçons.

**Étape 3** Retirer tous les glaçons du bac.

**Étape 4** Mettre le commutateur à bascule ICE/OFF/CLEAN en position CLEAN. Le robinet d'évacuation s'ouvrira et évacuera l'eau de l'évaporateur et du réservoir.

**Étape 5** Patienter environ 30 secondes (ou jusqu'à ce que l'évaporateur soit vidé) et mettre le commutateur à bascule en position OFF.

**Étape 6** Consulter le tableau et pré-mélanger la solution correcte de détartrant et d'eau fraîche pour la machine à glaçons.

Modèle	Quantité de détartrant Référence 00000084	Quantité d'eau
CNF201 CNF202	60 ml (2 onces)	1 litre (32 onces)

**Étape 7** Retirer le couvercle supérieur de la goulotte à glaçons et verser la solution détartrant /eau dans l'évaporateur. Ajouter toute la solution pré-mélangée (la solution excédentaire sortira par le tube de trop-plein dans le réservoir d'eau).

**Étape 8** Remettre le couvercle de goulotte à glaçons en place et laisser la machine à glaçons reposer pendant 30 minutes.

**Étape 9** Ouvrir l'alimentation d'eau à la machine à glaçons.

**Étape 10** Mettre le commutateur à bascule en position ICE. Au bout du délai de 15 minutes, le compresseur se mettra sous tension et produira des glaçons avec la solution de détartrage.

**Étape 11** La machine à glaçons congèlera et évacuera la solution de détartrage dans le bac. Laisser le cycle tourner pendant 15 minutes.

**Étape 12** Mettre le commutateur à bascule en position OFF et consulter la procédure de désinfection.

REMARQUE : Jeter toute la glace produite pendant le processus de détartrage. Un détartrage et une désinfection doivent être effectués sur les surfaces adjacentes qui ne sont pas en contact avec le système de distribution d'eau. Consulter la section Démontage de composants pour détartrage/désinfection (page 17) - Démonter, détartrer et désinfecter la machine à glaçons au moins une fois tous les six mois.

#### PROCÉDURE DE DÉSINFECTION

Utiliser le désinfectant pour machine à glaçons pour éliminer les algues ou tout film biologique. Ne pas l'utiliser pour éliminer la chaux de tartre ou tout autre dépôt minéral. Consulter la section « Procédure de détartrage » pour éliminer la chaux de tartre ou tout autre dépôt minéral.

REMARQUE : Une désinfection doit être effectuée sur les surfaces adjacentes qui ne sont pas en contact avec le système de distribution d'eau. Toujours effectuer la procédure Démontage de composants pour détartrage/désinfection et une procédure de détartrage avant de désinfecter la machine à glaçons.

**Étape 1** Couper l'alimentation d'eau à la machine à glaçons.

**Étape 2** Mettre le commutateur à bascule ICE/OFF/CLEAN en position CLEAN. Le robinet d'évacuation s'ouvrira et évacuera l'eau de l'évaporateur et du réservoir.

**Étape 3** Patienter environ 30 secondes (ou jusqu'à ce que l'évaporateur soit vidé) et mettre le commutateur à bascule en position OFF.

**Étape 4** Consulter le tableau et ajouter la quantité correcte de désinfectant et d'eau fraîche pour le modèle de machine à glaçons.

Modèle	Quantité de désinfectant	Quantité d'eau
CNF201 CNF202	60 ml (2 onces)	11 litres (3 gallons)

**Étape 5** Retirer le couvercle supérieur de la goulotte à glaçons et verser la solution désinfectant/eau dans l'évaporateur. Ajouter toute la solution pré-mélangée (la solution excédentaire sortira par le tube de trop-plein dans le réservoir d'eau).

**Étape 6** Remettre le couvercle de goulotte à glaçons en place et laisser la machine à glaçons reposer pendant 30 minutes.

**Étape 7** Ouvrir l'alimentation d'eau à la machine à glaçons.

**Étape 8** Mettre le commutateur à bascule en position ICE. Au bout du délai de 15 minutes, le compresseur se mettra sous tension et produira des glaçons avec la solution de désinfection.

**Étape 9** La machine à glaçons congèlera et évacuera la solution de désinfection dans le bac. Laisser le cycle tourner pendant 15 minutes.

REMARQUE : Jeter toute la glace produite pendant le processus de désinfection.

**Étape 10** Mettre le commutateur à bascule en position CLEAN. La machine à glaçons effectuera un cycle de lavage, une série de cycles de rinçage et s'arrêtera. Le cycle complet dure approximativement 30 minutes.

**Étape 11** Consulter la section Démontage de composants pour détartrage/désinfection (page 17), retirer toutes les pièces indiquées à détartrer et désinfecter.

## Démontage de composants pour détartrage/désinfection

La machine à glaçons doit être démontée, nettoyée et désinfectée tous les six mois.

### ⚠ Attention

Ne pas mélanger les solutions détartrantes et désinfectantes. Utiliser ces solutions sans tenir compte des instructions figurant sur les étiquettes est une violation de la loi fédérale.

1. Couper l'alimentation en eau à la machine à glaçons.

### ⚠ Avertissement

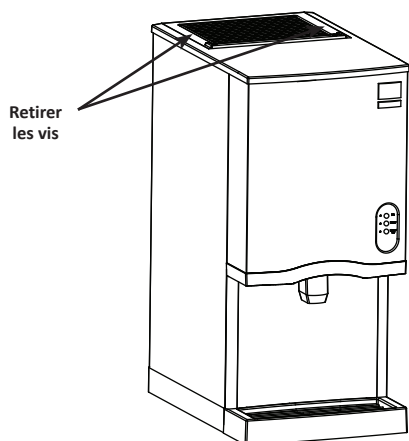
Porter des gants en caoutchouc et des lunettes de sécurité (et/ou un masque) lors de la manipulation du détartrant ou du désinfectant pour machine à glaçons.

2. Mettre le commutateur à bascule en position CLEAN pendant 30 secondes pour vider l'eau du réservoir, puis mettre le commutateur à bascule en position OFF.
3. Faire marcher le distributeur pour transférer tous les glaçons du bac dans un récipient.

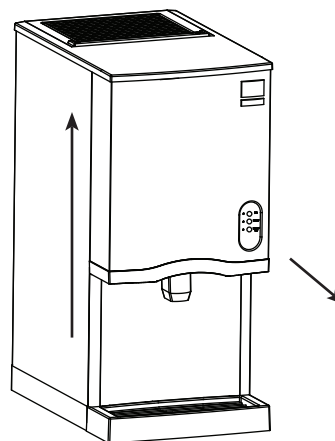
### ⚠ Avertissement

Couper l'alimentation de la machine à glaçons au niveau de la boîte de distribution électrique avant de continuer.

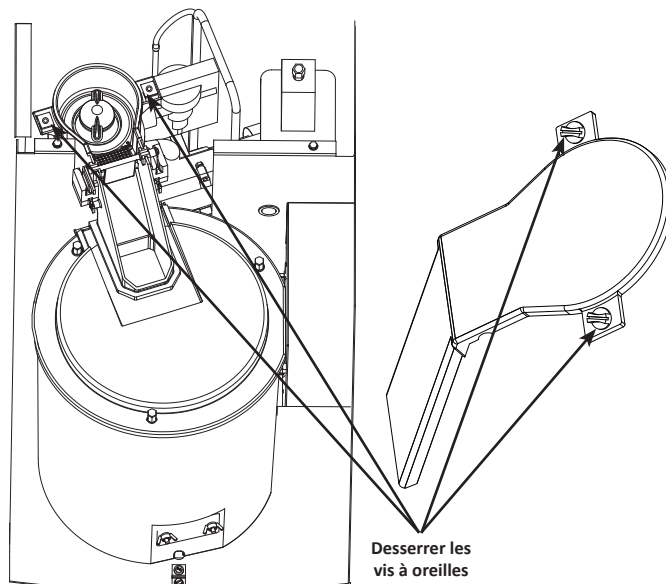
4. Déconnecter l'alimentation électrique à la machine à glaçons.
5. Retirer le couvercle supérieur.
  - A. Retirer deux vis à oreilles.
  - B. Relever le couvercle supérieur pour le retirer.



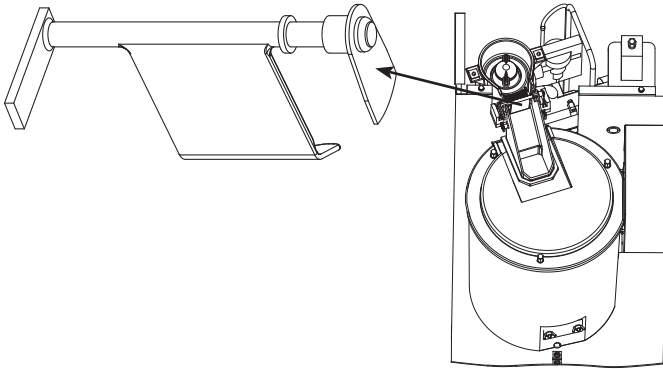
6. Retirer le couvercle avant.
  - A. Relever le couvercle avant.
  - B. Tirer vers l'avant pour déclencher les trous en poire.



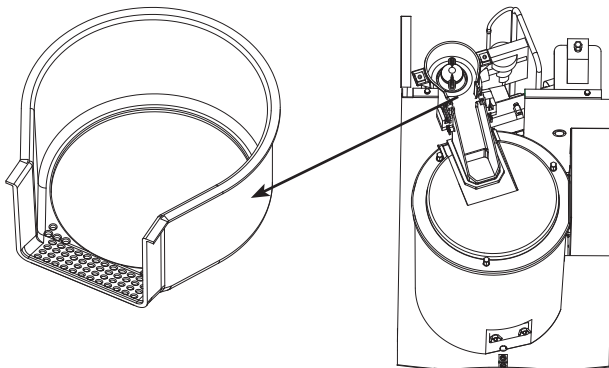
7. Retirer le couvercle de la goulotte à glaçons.
  - A. Faire tourner les deux vis à oreilles d'un quart de tour.
  - B. Relever pour retirer le couvercle.



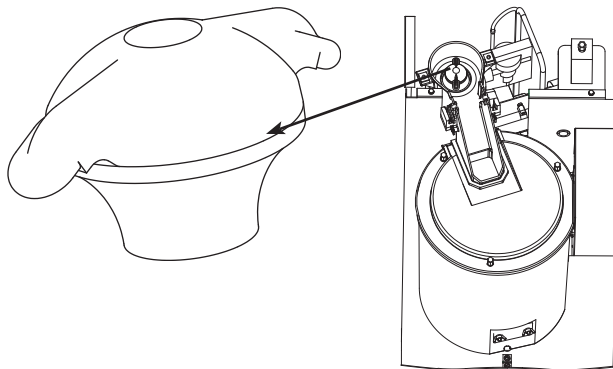
8. Relever l'amortisseur de glaçons.



9. Relever la rampe filtrante de glace.

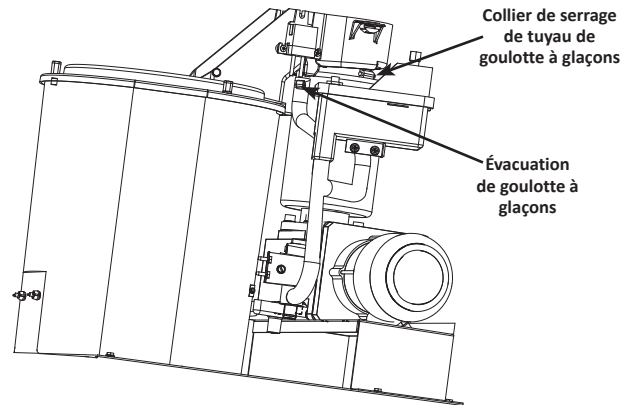


10. Faire tourner l'essuie-glace dans le sens contraire des aiguilles d'une montre pour le retirer.

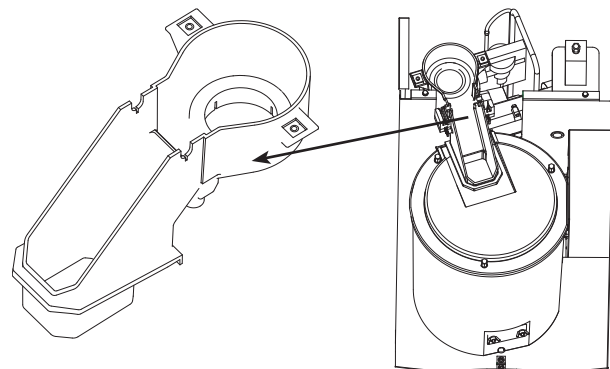


11. Desserrer le collier de serrage du tuyau de goutte à glaçons.

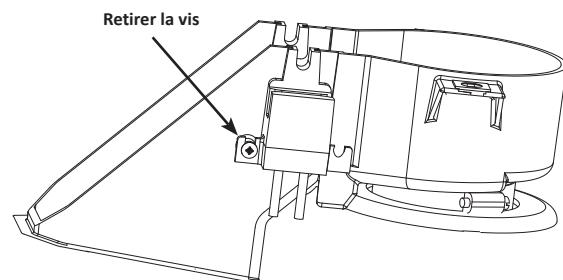
12. Déconnecter l'évacuation de goutte à glaçons.



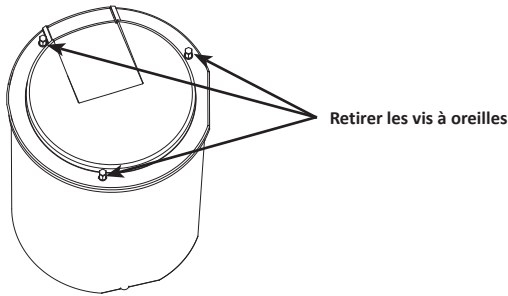
13. Relever la goutte à glaçons pour la retirer. La goutte à glaçons doit être retirée avant de pouvoir retirer le couvercle de bac.



14. La goutte à glaçons peut être nettoyée en place. Pour la retirer complètement, utiliser un tournevis cruciforme pour retirer l'ensemble de commutateur à effet Hall de la goutte à glaçons.

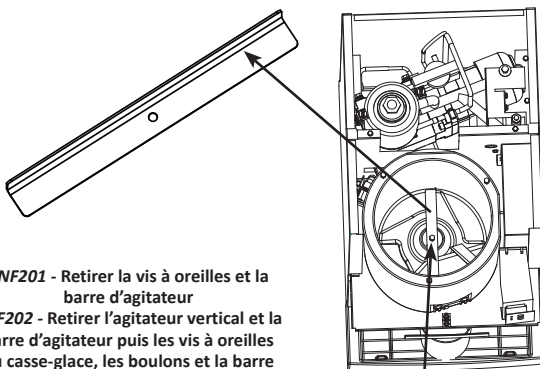


15. Retirer trois vis à oreilles puis retirer le couvercle de bac.

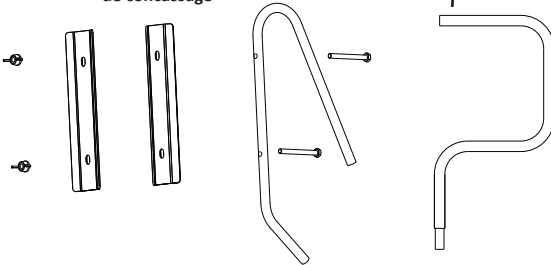


16. Retirer la barre d'agitateur et le casse-glace sur le modèle CNF202.

REMARQUE : La barre doit être remontée en insérant le chant avant dans la roue radiale puis en abaissant le chant arrière (angle arrondi de 90 °) pour prévenir toute fuite d'eau dans le compartiment de compresseur.

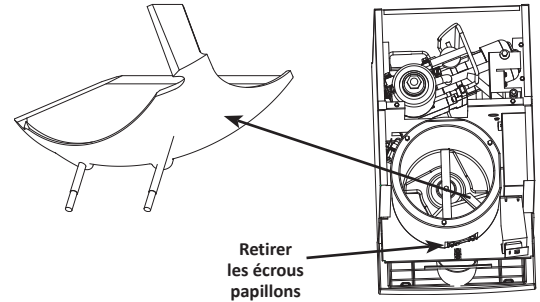


**CNF201** - Retirer la vis à oreilles et la barre d'agitateur  
**CNF202** - Retirer l'agitateur vertical et la barre d'agitateur puis les vis à oreilles du casse-glace, les boulons et la barre de concassage

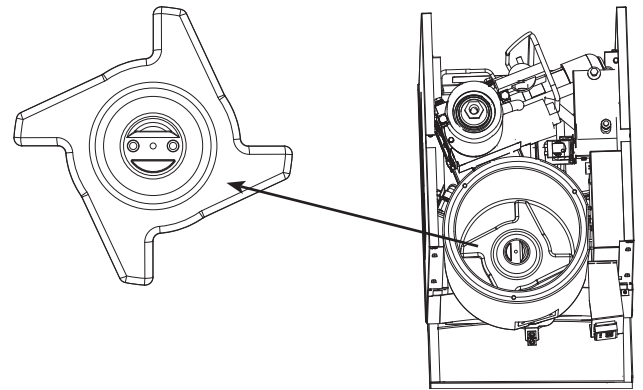


17. Retirer le déflecteur de glaçons.

- A. Retirer les deux vis à oreilles.
- B. Relever le déflecteur de glaçons.

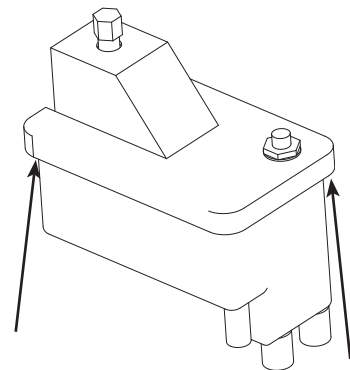


18. Retirer la roue de distribution de glaçons en relevant directement.



19. Déposer le couvercle du réservoir d'eau.

- A. Appuyer sur le couvercle pour le retirer.



20. Mélanger une solution détartrant e avec de l'eau chaude. Selon la quantité de dépôt minéral, une quantité plus importante de solution peut être requise. Utiliser le rapport dans le tableau cidessous pour mélanger suffisamment de solution pour détartrer toutes les pièces.

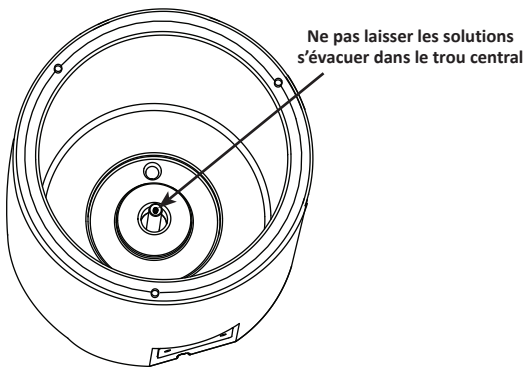
Type de solution	Eau	Mélangée avec
Détartrant	4 l (1 gal.)	500 ml (16 oz) de détartrant

21. Utiliser la solution détartrant /eau pour détartrer tous les composants. La solution détartrant e mousse lorsqu'elle st en contact avec du tartre ou des dépôts minéraux ; lorsque la formation de mousse s'arrête, utiliser une brosse en nylon à poils souples, une éponge ou un chiffon (PAS une brosse métallique) pour détartrer soigneusement les pièces. Faire tremper les pièces pendant 5 minutes (15 - 20 minutes pour les pièces fortement entartrées). Rincer tous les composants à l'eau claire.

**⚠ Attention**

Ne pas verser de solutions de détartrant ou de désinfectant dans le bac. La solution fuira sur le devant du bac et dans le compartiment de compresseur.

22. Tandis que les composants trempent, détartrer toutes les surfaces alimentaires du bac. Rincer complètement toutes les zones à l'eau claire.



23. Mélanger une solution désinfectante avec de l'eau chaude.

Type de solution	Eau	Mélangée avec
Désinfectant	23 l (6 gal.)	120 ml (4 oz) de désinfectant

24. Utiliser la moitié de la solution désinfectant/eau pour désinfecter tous les composants retirés. Utiliser un chiffon ou une éponge pour appliquer abondamment la solution sur toutes les surfaces des pièces retirées ou faire tremper les pièces retirées dans la solution désinfectant/eau. Ne pas rincer les pièces après la désinfection.
25. Utiliser la moitié de la solution désinfectant/eau pour désinfecter le bac de distributeur, le bac à eau et le bec de distribution. Utiliser un chiffon ou une éponge pour appliquer abondamment la solution. Ne pas rincer les zones désinfectées.

26. Remonter les pièces déposées, remettre les alimentations en eau et en alimentation en marche, et tester le fonctionnement de la machine à glaçons.

REMARQUE : La déconnexion et la reconnexion de l'alimentation électrique activent un délai de 15 minutes. Cette temporisation ne peut pas être passée outre. La durée de temporisation démarre lorsque l'alimentation est remise en marche et la machine à glaçons démarre lors de l'expiration du délai de 15 minutes.

### Nettoyage du condenseur

**⚠ Avertissement**

Couper l'alimentation électrique de la machine à glaçons et le condenseur à distance au niveau des interrupteurs de distribution électrique avant de nettoyer le condenseur.

#### Condenseur refroidi à l'air

Un condenseur sale restreint le débit d'air, entraînant ainsi des températures de fonctionnement excessivement élevées. Ce qui réduit la production de glaçons et raccourcit la durée de vie des composants. Nettoyer le condenseur au moins tous les six mois. Suivre les étapes ci-dessous.

**⚠ Attention**

Les ailettes du condenseur sont coupantes. Faire attention en les nettoyant.

- Le filtre lavable est conçu pour attraper la poussière, la saleté, les peluches et la graisse. Ceci permet de conserver le condenseur propre. Nettoyer le filtre avec une solution d'eau et de savon doux.
- Nettoyer l'extérieur du condenseur à l'aide d'une brosse douce ou d'un aspirateur avec une brosse. Nettoyer de haut en bas, non pas latéralement. Faire attention de ne pas plier les ailettes de condenseur.
- Éclairer une lampe de poche dans le condenseur pour inspecter toute présence éventuelle de saleté entre les ailettes. S'il reste de la saleté :
  - Souffler de l'air comprimé à travers les ailettes de condenseur de l'intérieur. Faire attention de ne pas plier les pales de ventilateur.
  - Utiliser un nettoyeur commercial pour serpentin de condenseur. Suivre les directions et respecter les mises en garde du nettoyeur.

4. Essuyer soigneusement les pales de ventilateur et le moteur à l'aide d'un chiffon doux. Ne pas courber les pales de ventilateur. Si les pales de ventilateur sont excessivement sales, laver à l'eau chaude savonneuse et bien rincer.

**Avis**

Si les pales de ventilateur de condenseur sont nettoyés à l'eau, couvrir le moteur de ventilateur pour prévenir tout dommage d'eau.

**Mise hors service/Hivérization****GÉNÉRALITÉS**

Prendre des précautions si la partie principale de la machine à glaçons doit être enlevée pour service pendant une période prolongée ou être exposée à des températures ambiantes de 0 °C (32 °F) ou moins.

**Avis**

Si de l'eau reste dans la machine à glaçons à des températures inférieures à 0 °C, des composants pourraient être gravement endommagés. Les dommages de cette nature ne sont pas couverts par la garantie.

Suivre la procédure ci-dessous.

1. Débrancher l'alimentation électrique au niveau du disjoncteur ou de l'interrupteur de distribution électrique.
2. Couper l'alimentation en eau.
3. Débrancher et évacuer la conduite d'eau entrante de fabrication de glaçons à l'arrière de la machine à glaçons.
4. Déconnecter la tubulure d'évacuation (de l'arrivée à la soupape de décharge) et vider l'eau dans un récipient et la jeter.
5. S'assurer que l'eau n'est pas piégée dans l'une des conduites d'eau, d'évacuation, de distribution, etc.

CETTE PAGE LAISSÉE EN BLANC INTENTIONNELLEMENT



## Section 5 Dépannage

### Liste de vérification

En cas de problème pendant le fonctionnement de la machine à glaçons, suivre la liste de vérification ci-dessous avant de contacter le service technique. Les réglages périodiques et procédures d'entretien ne sont pas couverts par la garantie.

Problème	Cause possible	Mesure corrective
La machine à glaçons ne fonctionne pas Le voyant bleu sur le bec de distribution est hors tension	Absence d'alimentation électrique à la machine à glaçons	Réinitialiser le disjoncteur/ouvrir l'interrupteur d'alimentation principal/brancher le cordon dans la prise.
	Commutateur à bascule ICE/OFF/CLEAN mal réglé	Mettre le commutateur à bascule en position ICE.
	Fusible de carte de commande ouvert	Remplacer fusible.
	Délai de 15 minutes non expiré	Patience 15 minutes pour que la machine à glaçons se mette en marche.
	Contrôle haute pression est ouvert	Nettoyer le filtre et le condenseur.
	Le réservoir d'eau est vide. (L'interrupteur de détection d'eau doit être fermé pour mettre le moteur à engrenage en marche)	Ouvrir le robinet de service d'eau ou nettoyer la crépine du robinet à flotteur.
Le voyant bleu sur le bec de distribution est sous tension		
Le moteur à engrenage fonctionne mais le compresseur ne démarrera pas	Un filtre à air et/ou un condenseur sales provoquent l'ouverture du pressostat de haute pression et de surcharge de compresseur	Nettoyer le filtre à air et le condenseur - Déconnecter l'alimentation pendant au moins 4 heures puis remettre sous tension. Si le problème persiste, contacter une entreprise de maintenance qualifiée pour en déterminer la cause.
La machine à glaçons s'arrête et peut être remise en marche en déplaçant le commutateur à bascule sur OFF puis sur ICE	La fonction SafeGuard arrête la machine à glaçons	Consulter la rubrique « Fonction SafeGuard » dans le manuel d'entretien.
La qualité des glaçons est médiocre	Qualité médiocre de l'eau entrante	Contactez une entreprise de maintenance qualifiée pour tester la qualité de l'eau entrante et vérifier le filtre.
	La filtration de l'eau est médiocre	Remplacer le filtre.
	La température de l'eau entrante est supérieure à 32 °C (90 °F)	Rectifier la température de l'eau. (Vérifier que les clapets anti-retour et les mélangeurs dans d'autres équipements fonctionnent correctement.) Raccorder la machine à glaçons à une alimentation en eau froide.
	Pression d'eau basse	La pression d'eau doit rester entre 138 et 552 kPa (20 et 80 psig).
	L'adoucisseur d'eau ne fonctionne pas correctement (le cas échéant)	Réparer l'adoucisseur d'eau.
Faible capacité de glaçons ou La machine à glace s'éteint et s'allume à plusieurs reprises	L'alimentation d'eau entrante est fermée	Ouvrir le robinet de service d'eau.
	La soupape de décharge d'eau fuit	Détartrage la soupape de décharge.
	Pression d'eau basse. L'interrupteur de détection d'eau arrête la machine à glaçons à plusieurs reprises	La pression d'eau doit rester entre 138 et 552 kPa (20 et 80 psig).
	La température de l'eau entrante est supérieure à 32 °C (90 °F)	Rectifier la température de l'eau. (Vérifier que les clapets anti-retour et les mélangeurs dans d'autres équipements fonctionnent correctement.)
	Fréquentes interruptions de courant ou sautes/chutes de puissance	Vérifier que la machine à glaçons se trouve sur un circuit séparé et que l'alimentation est stable.
	Le robinet à flotteur d'eau est coincé ouvert ou fuit	Retirer le robinet à flotteur d'eau et détartre
	Objets empilés autour de la machine à glaçons, bloquant le débit d'air vers le condenseur	Retirer les articles bloquant le débit d'air.
	Température ambiante élevée autour de la machine à glaçons	La température ambiante ne doit pas être supérieure à 43 °C (110 °F).
	Espace inapproprié autour de la machine à glaçons	Fournir espace adéquat.
	Le condenseur est sale	Nettoyer le condenseur.

CETTE PAGE LAISSÉE EN BLANC INTENTIONNELLEMENT

# Avisos de seguridad

## Avisos de seguridad

### Lea estas precauciones para evitar lesiones corporales:

- Lea este manual completo antes de operar, instalar o realizar mantenimiento en el equipo. No seguir las instrucciones de este manual puede provocar daños a la propiedad, lesiones o la muerte.
- La garantía no cubre los ajustes y procedimientos de mantenimiento de rutina que se describen en este manual.
- La instalación, el cuidado y el mantenimiento correctos son esenciales para obtener el máximo rendimiento y un funcionamiento sin problemas de su equipo. Visite nuestro sitio web [www.manitowocice.com](http://www.manitowocice.com) para obtener actualizaciones de manuales, traducciones o información de contacto de los agentes de mantenimiento en su área.
- Este equipo contiene electricidad de alta tensión y carga de refrigerante. Las reparaciones y la instalación las deben realizar técnicos debidamente capacitados y conscientes de los peligros de la electricidad de alta tensión y de los refrigerantes bajo presión. Además, el técnico debe tener certificación en el manejo apropiado de refrigerantes y en procedimientos de mantenimiento. Se deben seguir los procedimientos de bloqueo y etiquetado al trabajar en este equipo.
- Este equipo es solo para uso en interiores. No instale ni opere este equipo en áreas exteriores.

## DEFINICIONES

### PELIGRO

Indica una situación peligrosa que, si no se evita, causará la muerte o lesiones graves. Esto se aplica en las situaciones más extremas.

### Advertencia

Indica una situación peligrosa que, si no se evita, puede causar la muerte o lesiones graves.

### Precaución

Indica una situación peligrosa que, si no se evita, puede causar heridas moderadas o menores.

### Aviso

Indica información que se considera importante, pero que no tiene relación con peligros (por ejemplo, mensajes relacionados con daños a la propiedad).

### Advertencia

#### Siga estas precauciones para evitar lesiones corporales durante la instalación de este equipo:

- La instalación debe cumplir con todas las normas sanitarias y contra incendios correspondientes, de acuerdo con la autoridad que tiene jurisdicción.
- Para evitar la inestabilidad del equipo, el área de instalación debe tener la capacidad de soportar el peso del producto y del equipo juntos. Además, se debe nivelar el equipo de lado a lado y de adelante hacia atrás.
- Retire todos los paneles desmontables antes de levantar e instalar la máquina de hacer hielo y use los equipos de seguridad adecuados durante la instalación y el mantenimiento. Se requieren dos o más personas para levantar o mover este equipo, con el fin de evitar vuelcos o lesiones.
- Conecte solamente a un suministro de agua potable.
- No dañe el circuito de refrigeración cuando instale o realice mantenimiento en la unidad.

### Advertencia

#### Siga estos requisitos eléctricos durante la instalación de este equipo.

- Todo el tendido de cables debe cumplir con los códigos correspondientes de la autoridad que tiene jurisdicción. Es responsabilidad del usuario final el proporcionar los medios de desconexión para cumplir con los códigos locales. Consulte la placa de clasificaciones para conocer el voltaje adecuado.
- Este aparato debe estar conectado a tierra.
- Este equipo debe estar ubicado de tal forma que sea posible alcanzar el enchufe, a menos que se proporcionen otros medios de desconexión de la fuente de alimentación (por ejemplo, un disyuntor o un interruptor de desconexión).
- Revise todas las conexiones de cableado, incluso los terminales de fábrica, antes de hacer funcionar el equipo. Las conexiones se pueden soltar durante el envío y la instalación.

NOTA: Indica información útil o adicional sobre el procedimiento que se está realizando.

## **⚠ PELIGRO**

No opere un equipo que haya sido usado incorrectamente, maltratado, desatendido, dañado, alterado o modificado respecto de sus especificaciones de fabricación originales. Este equipo no debe ser utilizado por personas (incluidos los niños) con capacidades físicas, sensoriales o mentales reducidas, o con falta de experiencia y conocimientos, a no ser que hayan recibido supervisión acerca del uso del equipo por una persona responsable de su seguridad. No permita que los niños jueguen, limpien o realicen mantenimiento a este aparato sin la supervisión adecuada.

## **⚠ Advertencia**

### **Siga estas precauciones para evitar lesiones corporales durante la operación o el mantenimiento de este equipo:**

- Lea este manual completo antes de operar, instalar o realizar mantenimiento en el equipo. No seguir las instrucciones de este manual puede provocar daños a la propiedad, lesiones o la muerte.
- Peligro de atrapamiento o aplastamiento. Mantenga las manos lejos de los componentes que se mueven. Los componentes se pueden mover sin ninguna advertencia, a menos que la energía se desconecte y se elimine toda la energía posible.
- La humedad que se acumula en el piso puede crear superficies resbaladizas. Limpie cualquier posa de agua del piso de inmediato, para prevenir el peligro de resbalar.
- Los objetos que caigan o sean colocados dentro del recipiente pueden afectar la salud y seguridad. Localice y retire cualquier objeto de forma inmediata.
- Nunca use objetos afilados o herramientas para eliminar el hielo. No use dispositivos mecánicos u otros medios para acelerar el proceso de descongelación.
- Al usar líquidos o sustancias químicas de limpieza, se deben usar guantes de goma y protección ocular (o una máscara).

## **⚠ PELIGRO**

### **Siga estas precauciones para evitar lesiones corporales durante la operación y el mantenimiento de este equipo:**

- Es responsabilidad del dueño del equipo realizar una evaluación de riesgos en los equipos de protección personal, para garantizar una protección adecuada durante los procedimientos de mantenimiento.
- No almacene ni use gasolina u otros vapores o líquidos inflamables cerca de este o cualquier otro equipo. Nunca use paños empapados en aceite o con alguna solución combustible para lavar.
- Todas las cubiertas y paneles de acceso deben estar en su lugar y fijados correctamente cuando se opere este equipo.
- Riesgo de incendio o de descarga eléctrica. Se deben mantener todos los espacios libres mínimos. No obstruya las ventilaciones o aberturas.
- Si no desconecta la energía de la desconexión del suministro de energía principal puede causar lesiones graves o la muerte. El interruptor de encendido NO desconecta toda la entrada de energía.
- Se deben mantener todas las conexiones y los accesorios conforme a la autoridad que tiene jurisdicción.
- Apague y bloquee todos los servicios públicos (electricidad y agua) de acuerdo con las prácticas aprobadas durante el servicio técnico o mantenimiento.
- Nunca use chorros de agua a alta presión para limpiar el interior o el exterior de esta unidad. No use equipos eléctricos de limpieza, lana de acero, raspadores ni cepillos metálicos en las superficies de acero inoxidable o pintadas.
- Se requieren dos o más personas para mover este equipo y evitar que se vuelque.
- Estas unidades se deben fijar o embridar para cumplir con todos los códigos correspondientes.
- El supervisor del lugar es responsable de asegurarse de que los operadores sean conscientes de los peligros relacionados con el funcionamiento de este equipo.
- No opere ningún aparato con el cable o el enchufe dañado. Todas las reparaciones las debe realizar una empresa de mantenimiento calificada.

# Índice

---

## Avisos de seguridad

<b>Avisos de seguridad</b> .....	<b>1</b>
Definiciones.....	1

## Sección 1 Información general

<b>Números de modelo</b> .....	<b>5</b>
<b>Accesorios</b> .....	<b>5</b>
Limpiador y desinfectante Manitowoc.....	5
Patas.....	5
Opción de detección sin contacto.....	5

## Sección 2 Instalación

<b>Ubicación de la máquina de hacer hielo</b> .....	<b>7</b>
<b>Requisitos de espacio libre de la máquina de hacer hielo</b> .....	<b>7</b>
Sellado en mostrador o soporte.....	7
<b>Servicio eléctrico</b> .....	<b>8</b>
Voltaje.....	8
Fusible o disyuntor.....	8
Ampacidad total del circuito.....	8
<b>Especificaciones eléctricas</b> .....	<b>8</b>
<b>Suministro de agua y desagües</b> .....	<b>8</b>
Suministro de agua potable.....	8
Tuberías de admisión de agua potable.....	8
Conexiones para el desagüe.....	8
Tamaños y conexiones del suministro de agua y de las tuberías de desagüe.....	9
<b>Antes de encender la máquina de hacer hielo</b> .....	<b>10</b>
Lista de verificación para la instalación.....	10

## Sección 3 Operación

<b>Secuencia de funcionamiento</b> .....	<b>11</b>
Retardo de tiempo de 15 minutos.....	11
Antes del arranque.....	11
Arranque inicial.....	11
Ciclo de congelación.....	11
Apagado automático.....	11
Reinicio después del apagado automático.....	11
<b>Verificaciones de funcionamiento</b> .....	<b>12</b>
Aspectos generales.....	12
Funcionamiento.....	12

## Sección 4 Mantenimiento

<b>Desincrustante y desinfección</b> .....	<b>13</b>
Aspectos generales.....	13
Limpieza del exterior.....	13
Procedimiento de desincrustante.....	14
Procedimiento de desinfección.....	15

Procedimiento de desincrustante preventiva de mantenimiento.....	16
<b>Desmontaje de componentes para desincrustante y desinfección.....</b>	<b>17</b>
<b>Limpieza del condensador .....</b>	<b>20</b>
<b>Retiro de servicio y preparación para el invierno .....</b>	<b>21</b>
Aspectos generales .....	21

**Sección 5**

**Solución de problemas**

Lista de verificación .....	<b>23</b>
-----------------------------	-----------

# Sección 1

## Información general

---

### Números de modelo

Este manual abarca los siguientes modelos:

Activación por palanca	Activación por sensor sin contacto
CNF201A-161L CNF201A-251L	CNF201A-161 CNF201A-251 CNF0201-261
CNF202A-161L CNF202A-251L	CNF202A-161 CNF202A-251 CNF0202-261

### Accesorios

#### LIMPIADOR Y DESINFECTANTE MANITOWOC

Los limpiadores y desinfectantes para las máquinas de hacer hielo Manitowoc están disponibles en convenientes envases de 473 ml (16 oz) y 3,78 L (1 gal). Son los únicos limpiadores y desinfectantes aprobados para su uso con productos Manitowoc.

Número de pieza del limpiador		Número de pieza del desinfectante	
473 ml (16 oz)	000000084	473 ml (16 oz)	94-0565-3
		3,78 L (1 gal)	94-0581-3

#### PATAS

Hay patas ajustables opcionales de 102 mm (4") disponibles.

#### OPCIÓN DE DETECCIÓN SIN CONTACTO

Se puede pedir la instalación de la detección sin contacto en la máquina de hacer hielo de fábrica o también hay un kit de conversión en terreno disponible. El kit de conversión en terreno incluye un panel delantero de repuesto e instrucciones de instalación.

SE HA DEJADO ESTA PÁGINA EN BLANCO INTENCIONALMENTE



## Sección 2 Instalación

Estas instrucciones son para asistir al instalador calificado. Revise las Páginas Amarillas locales para buscar el nombre del distribuidor de Manitowoc más cercano, o llame a Manitowoc Foodservice para obtener información con respecto a los servicios de arranque.

### Importante

El incumplimiento de estas directrices de instalación puede afectar la cobertura de la garantía.

### Ubicación de la máquina de hacer hielo

La ubicación seleccionada para la máquina de hacer hielo debe cumplir los siguientes criterios. En caso de que no se cumpla alguno de estos criterios, seleccione otra ubicación.

- La ubicación debe estar libre de contaminantes transportados por el aire y de otro tipo.
- La temperatura del aire debe ser de al menos 7 °C (45 °F), pero no puede ser superior a los 43 °C (110 °F).
- La temperatura del agua debe ser de al menos 7 °C (45 °F), pero no puede ser superior a los 32 °C (90 °F).
- La ubicación no debe estar cerca de equipos que generen calor ni bajo luz solar directa.
- La ubicación debe ser capaz de soportar el peso de la máquina de hacer hielo y de un recipiente lleno de hielo, y permitir además que la máquina esté nivelada de adelante hacia atrás y de lado a lado.
- La ubicación debe permitir un espacio libre suficiente para el agua y las conexiones eléctricas de la **parte posterior de la máquina de hacer hielo**. El desagüe puede salir desde la parte posterior o inferior del dispensador.
- La ubicación no debe obstruir el flujo de aire a través o alrededor de la máquina de hacer hielo. El flujo de aire está en el lado izquierdo y sale por la parte superior. Consulte la tabla para conocer los requisitos de espacio libre.

Estas máquinas de hacer hielo fueron diseñadas para el uso en aplicaciones domésticas y similares, tales como:

- Áreas para personal de cocina en comercios, oficinas y otros ambientes de trabajo.
- Clientes en hoteles, moteles, casas rurales, pensiones y otros ambientes de tipo residencial.
- Catering y aplicaciones similares del sector mayorista.

### Precaución

Para evitar la inestabilidad, la máquina de hacer hielo debe estar instalada en un área capaz de poder soportar el peso de la máquina de hacer hielo y de un recipiente lleno de hielo.

### Requisitos de espacio libre de la máquina de hacer hielo

	CNF201	CNF202
Arriba	61 cm (24")	61 cm (24")
Lados	20 cm (8")	20 cm (8")
Atrás*	13 cm (5")	13 cm (5")

\* Se recomiendan 13 cm (5") para realizar mantenimiento a la máquina de hacer hielo. El espacio libre puede ser de 0 cm (0") cuando las conexiones de agua y desagüe salen por la parte inferior de la máquina de hacer hielo.

### Aviso

La máquina de hacer hielo debe estar protegida si se somete a temperaturas inferiores a los 0 °C (32 °F). Las fallas causadas por exposición a temperaturas de congelación no están cubiertas por la garantía. Consulte "Retiro de servicio y preparación para el invierno".

### SELLADO EN MOSTRADOR O SOPORTE

Las máquinas de hacer hielo que se instalen sin patas deben ir selladas en el mostrador o soporte. Esto evita que los líquidos o residuos se metan debajo de la máquina de hacer hielo.

## Servicio eléctrico

### Advertencia

Todo el cableado debe cumplir con los códigos locales, estatales y nacionales.

### VOLTAJE

La variación de voltaje máxima permitida es de  $\pm 10\%$  del voltaje nominal en la placa del modelo o del número de serie de máquina de hacer hielo al momento del encendido (cuando la carga eléctrica es la mayor).

### FUSIBLE O DISYUNTOR

Se debe proporcionar un fusible o disyuntor por separado para cada máquina de hacer hielo. Los disyuntores deben tener clasificación H.A.C.R. (no tiene validez en Canadá).

Las máquinas de hacer hielo **115/60/1** vienen precableadas de fábrica con un cable de alimentación y un enchufe 5-15P.

Las máquinas de hacer hielo **230/60/1** y **230/50/1** vienen precableadas de fábrica con un cable de alimentación, no se proporciona un enchufe.

### Advertencia

La máquina de hacer hielo debe estar conectada a tierra conforme a los códigos de electricidad locales y nacionales.

### AMPACIDAD TOTAL DEL CIRCUITO

La ampacidad total del circuito se usa para ayudar a seleccionar el tamaño del cable de suministro eléctrico.

El tamaño (o calibre) del cable depende también de la ubicación, los materiales que se usen, la longitud del tramo, etc., por lo que un electricista calificado debe determinarlo.

### Especificaciones eléctricas

Máquina de hacer hielo	Voltaje/Fase/Ciclo	Enfriada por aire
		Amperaje total del circuito
CNF201	115/1/60	10,3
	230/1/60	
	230/1/50	
CNF202	115/1/60	5,4
	230/1/60	
	230/1/50	

## Suministro de agua y desagües

### SUMINISTRO DE AGUA POTABLE

Es posible que las condiciones del agua local requieran del tratamiento del agua para impedir la formación de sarro, filtrar sedimentos y quitar el olor y el sabor a cloro.

### Advertencia

#### POSIBLES LESIONES CORPORALES

Para hacer hielo, conecte la máquina solo a un suministro de agua potable.

### Importante

Si va a instalar un sistema de filtro de agua Manitowoc, consulte las instrucciones de instalación proporcionadas con el sistema de filtro para las conexiones de admisión de la máquina de hacer hielo.

### TUBERÍAS DE ADMISIÓN DE AGUA POTABLE

Siga estas pautas para instalar las tuberías de admisión de agua:

- No conecte la máquina de hacer hielo a un suministro de agua caliente. Asegúrese de que estén funcionando todos los limitadores de agua caliente que se instalaron para otros equipos (revise las válvulas en las llaves de fregaderos, lavavajillas, etc.).
- Si la presión de agua excede la presión máxima recomendada de (551,5 kPa/80 psig), obtenga un regulador de presión de agua de su distribuidor de Manitowoc.
- Instale una válvula de corte de agua y una unión para las tuberías de agua de producción de hielo y del condensador.
- Aísle las tuberías de admisión de agua para evitar la condensación.

### CONEXIONES PARA EL DESAGÜE

Siga estas pautas cuando instale tuberías de desagüe:

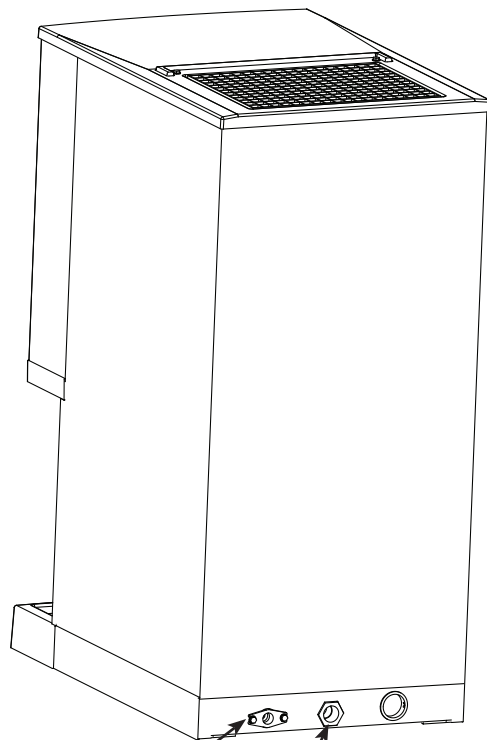
- Las tuberías de desagüe deben tener una pendiente de 2,5 cm por metro de recorrido (1,5 pulgadas por 5 pies) y no deben crear sifones.
- El desagüe del piso debe ser lo suficientemente grande como para ajustarse al drenaje de todos los desagües.
- Aísle las tuberías de desagüe para evitar la condensación.
- Los desagües deben tener una unión u otro medio adecuado que permita la desconexión en el lugar de la máquina de hacer hielo cuando se requiera mantenimiento.

**TAMAÑOS Y CONEXIONES DEL SUMINISTRO DE AGUA Y DE LAS TUBERÍAS DE DESAGÜE**

**⚠ Precaución**

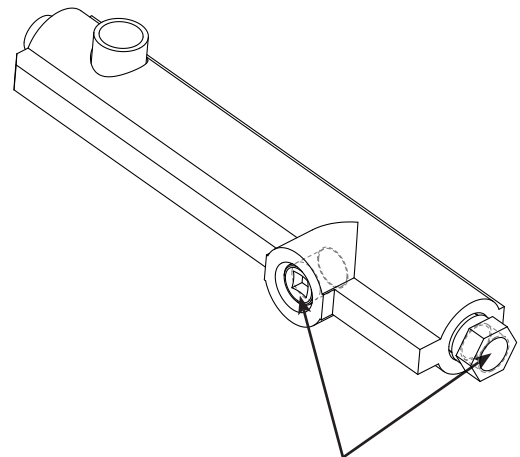
La plomería debe cumplir con todos los códigos locales y estatales.

Ubicación	Temperatura del agua	Presión del agua	Conexiones de la máquina de hacer hielo	Tamaño de la tubería para las conexiones de la máquina de hacer hielo
Admisión de agua para la producción de hielo	6 °C (45 °F) mín. 32 °C (90 °F) máx.	137,9 kPa (20 psi) mín. 551,5 kPa (80 psi) máx.	Rosca de tubería hembra de 3/8"	Diámetro interior mínimo de 9,5 mm (3/8")
Desagüe de la máquina de hacer hielo	---	---	Rosca de tubería hembra de 1/2"	Diámetro interior mínimo de 19 mm (3/4")



TUBERÍA DE ADMISION DE AGUA PARA PRODUCCION DE HIELO DE UN DIAM. INTERIOR MIN. DE 9,5 mm (3/8")

DESAGÜE



LA CONEXION PARA EL DESAGÜE ES INTERCAMBIABLE

EL DESAGÜE VIENE INSTALADO PREVIAMENTE PARA SALIR POR LA PARTE POSTERIOR MUEVA EL TAPÓN DE DESAGÜE PARA DRENAR DESDE LA PARTE INFERIOR, SI LO DESEA

**Instalación típica del desagüe del suministro de agua**

## Antes de encender la máquina de hacer hielo

### LISTA DE VERIFICACIÓN PARA LA INSTALACIÓN

v	Elemento de la lista de verificación
	¿Está nivelada la máquina de hacer hielo?
	¿Se retiró todo el material de embalaje interno?
	¿Se realizaron todas las conexiones eléctricas y de agua?
	¿Se probó el voltaje de suministro y se comparó con la clasificación que figura en la placa de identificación?
	¿Hay suficiente espacio libre alrededor de la máquina de hacer hielo para que circule aire?
	¿Se instaló la máquina de hacer hielo en un lugar donde las temperaturas ambiente permanecerán en un rango de 7° a 43 °C (45° a 110 °F)?
	¿Se instaló la máquina de hacer hielo en un lugar donde la temperatura del agua entrante permanecerá en un rango de 7° a 32 °C (45° a 90 °F)?
	¿Los conductores eléctricos están libres de contacto con las tuberías de refrigerante y los equipos móviles?
	¿El dueño u operador tiene instrucciones de mantenimiento y uso del descalcificador y del desinfectante de Manitowoc?
	¿Se envió a la fábrica la tarjeta de registro de la garantía?
	¿Se han desinfectado la máquina de hacer hielo y el recipiente?
	¿Se ha entregado este manual al dueño u operador?
	¿Está aproximadamente 2/3 lleno el depósito de agua?
	¿Se colocó el interruptor basculante en la posición ICE? (El interruptor está ubicado bajo el reborde del panel delantero)

Todas las máquinas de hacer hielo Manitowoc se hacen funcionar y se ajustan en la fábrica antes del envío. Por lo general, las nuevas instalaciones no necesitan ajustes. Para asegurar el funcionamiento correcto, siga las Verificaciones de funcionamiento en la Sección 3 de este manual.

La garantía no cubre los ajustes y procedimientos de mantenimiento que se describen en este manual.

#### **⚠ Advertencia**

#### **Situación que puede provocar lesiones corporales**

No opere un equipo que haya sido usado incorrectamente, maltratado, desatendido, dañado, alterado o modificado respecto de sus especificaciones de fabricación originales.

## Sección 3

# Operación

---

### Secuencia de funcionamiento

#### RETARDO DE TIEMPO DE 15 MINUTOS

El retardo de 15 minutos debe haber terminado antes de que se encienda el motor con engranaje reductor o el compresor.

El período de retardo comienza al momento de la aplicación de energía o cuando se mueve el interruptor basculante de OFF (Apagado) a ICE (Hielo).

El período de retardo comienza cuando:

- La máquina de hacer hielo comienza el apagado automático
- Se desconecta y se vuelve a conectar la energía
- Se mueve el interruptor de OFF a ICE

Este período de retardo de tiempo no se puede anular y se restablecerá a 15 minutos si ocurre cualquiera de las condiciones anteriores.

#### ANTES DEL ARRANQUE

Cuando el interruptor basculante se coloca en la posición ICE, debe ocurrir lo siguiente en el orden indicado antes de que comience la producción de hielo.

- La compuerta de la tolva de hielo debe estar en posición cerrada o hacia abajo.
- Debe haber terminado el período de retardo de 15 minutos. El período de retardo comienza al momento de la aplicación de energía o cuando se mueve el interruptor basculante de OFF a ICE.
- El interruptor de detección de agua debe estar cerrado (el depósito de agua lleno y el flotador de detección de agua en posición hacia arriba).

#### ARRANQUE INICIAL

Aplicar energía o mover el interruptor basculante de OFF a ICE iniciará un período de retardo de 15 minutos. Este período de retardo no se puede anular. Con el interruptor de detección de agua cerrado (el depósito lleno de agua), el motor con engranaje reductor se energizará al final del retardo de 15 minutos. El compresor y el motor del ventilador del condensador se encienden 5 segundos después del motor con engranaje reductor.

#### CICLO DE CONGELACIÓN

La válvula de flotador mantiene automáticamente el nivel de agua en el depósito. Se abrirá y cerrará la compuerta de hielo para verificar la producción de hielo. La máquina de hacer hielo continuará produciendo hielo hasta que la compuerta se mantenga abierta (arriba) a medida que el hielo llena el recipiente.

#### APAGADO AUTOMÁTICO

Cuando la compuerta de hielo se mantiene abierta con el hielo, se desenergiza el motor con engranaje reductor, el compresor y el ventilador del condensador. Comienza el período de retardo de quince minutos. La máquina de hacer hielo permanecerá apagada hasta que pase el período de retardo de 15 minutos y la compuerta de hielo se cierre.

#### REINICIO DESPUÉS DEL APAGADO AUTOMÁTICO

1. **Han pasado menos de 4 horas desde el apagado automático.**

Con el interruptor de detección de agua cerrado (el depósito lleno de agua), el motor con engranaje reductor se energizará al final del retardo de 15 minutos. El compresor y el motor del ventilador del condensador se encienden 5 segundos después del motor con engranaje reductor.

2. **Han pasado más de 4 horas desde el apagado automático.**

La válvula de descarga se energiza para vaciar el evaporador. Después 30 segundos, se desenergiza la válvula. Cuando el depósito se llena con agua, el interruptor de detección de agua se cierra y se enciende el motor con engranaje reductor. El compresor y el motor del ventilador del condensador se encienden 5 segundos después del motor con engranaje reductor.

## Verificaciones de funcionamiento

### ASPECTOS GENERALES

Las máquinas de hacer hielo Manitowoc se hacen funcionar y se ajustan en la fábrica antes del envío. Por lo general, una máquina de hacer hielo recién instalada no requiere de ningún ajuste.

Para asegurar el funcionamiento correcto, siempre siga las Verificaciones de funcionamiento:

- cuando inicie la máquina de hacer hielo por primera vez
- después de un período prolongado fuera de servicio
- después de la desincrustante y desinfección

NOTA: La garantía no cubre los ajustes y procedimientos de mantenimiento de rutina que se describen en este manual.

### Luz azul

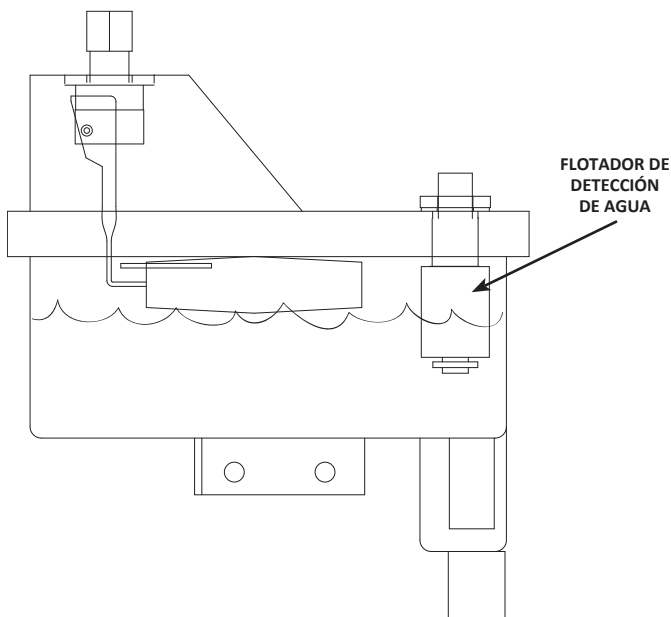
La luz azul en la boquilla dispensadora se enciende cuando el interruptor basculante está en la posición ICE y la máquina de hacer hielo está en funcionamiento. Si la luz no está encendida, la máquina no producirá hielo. Consulte Sección 5 Solución de problemas si la máquina de hacer hielo tiene energía y la luz no se enciende.

### Interruptor basculante

El interruptor basculante debe estar en la posición ICE para producir hielo.

### Depósito de agua

El depósito de agua debe estar 2/3 lleno y el flotador de detección de agua debe estar arriba (interruptor cerrado) antes de que la máquina de hacer hielo comience a funcionar.



### Producción de hielo

Permita que la máquina de hacer hielo produzca hielo durante 15 minutos antes de probar el mecanismo dispensador. Esto garantizará que haya una cantidad suficiente de hielo en el recipiente para dispensar.

### FUNCIONAMIENTO

1. Ajuste el interruptor selector (cuando se use)

Presione el botón adyacente al texto.

- Seleccione ICE solo para dispensar hielo
- Seleccione ICE/WATER para agua y hielo
- Seleccione WATER solo para agua

2. Dispense

### ACTIVACIÓN POR PALANCA

Use un vaso o recipiente para presionar el brazo del dispensador hacia atrás. Suelte el brazo y la máquina de hacer hielo dejará de dispensar.

### ACTIVACIÓN CENTRAL SIN CONTACTO

Coloque un vaso o recipiente bajo la boquilla dispensadora, a 2,5 cm (1") del sensor. La máquina de hacer hielo dispensará automáticamente. Retire el vaso o recipiente para detener el dispensado.

## Sección 4

# Mantenimiento

### Desincrustante y desinfección

#### ASPECTOS GENERALES

Usted es responsable de mantener la máquina de hacer hielo conforme a las instrucciones de este manual. Los procedimientos de mantenimiento no están cubiertos por la garantía.

Desinfección para procedimientos exteriores, correctivos y detallados se puede realizar de forma independiente y con mayor frecuencia que la desincrustante cuando sea necesario.

Limpie y desinfecte la máquina de hacer hielo cada seis meses para lograr un funcionamiento más eficiente. Si la máquina de hacer hielo requiere una desincrustante y desinfección más frecuentes, consulte con una empresa de mantenimiento calificada para que pruebe la calidad del agua y recomiende un tratamiento adecuado para el agua. Si es necesario, se puede desarmar una máquina de hacer hielo extremadamente sucia para su desincrustante y desinfección.

Usar productos para quitar el sarro, desinfectantes, limpiadores o soluciones que no sean de Manitowoc puede provocar daños corporales o daños en la máquina de hacer hielo, los que no están cubiertos por la garantía.

Usar productos para quitar el sarro, desinfectantes, limpiadores o soluciones que no sean de Manitowoc puede provocar daños corporales o daños en la máquina de hacer hielo, los que no están cubiertos por la garantía.

#### Precaución

Solo use el descalcificador (número de pieza 000000084) y el desinfectante (número de pieza 94-0565-3) aprobados por Manitowoc para la máquina de hacer hielo. No mezcle las soluciones de descalcificador y de desinfectante. El uso de estas soluciones de una manera incoherente con la de su etiquetado constituye una violación a la ley federal. Lea y comprenda todas las etiquetas impresas en las botellas antes de usar.

#### Advertencia

Use guantes de goma y gafas de seguridad (o protección para el rostro) cuando manipule el descalcificador o el desinfectante para la máquina de hacer hielo.

#### LIMPIEZA DEL EXTERIOR

Semanalmente: Retire la parrilla de la bandeja de restos de hielo y limpie el panel contra salpicaduras, la bandeja de restos de hielo y la parrilla con una solución de desinfectante

y agua (consulte la página 15). Vierta el exceso de solución en la bandeja de restos de hielo para despejar el desagüe.

#### SOLO PARA EL SENSOR SIN CONTACTO

Limpie la ventana del sensor con un paño suave y un detergente suave. Enjuague con agua limpia y seque con un paño suave y limpio.

#### PROCEDIMIENTOS

Esta máquina de hacer hielo Manitowoc tiene tres procedimientos de limpieza separados.

#### Procedimiento de desincrustante preventiva de mantenimiento

Realice este procedimiento según sea necesario para sus condiciones de agua. Se recomienda realizar mensualmente.

- Permite decalcificar la máquina de hacer hielo sin retirar todo el hielo del recipiente
- Elimina depósitos de minerales de las áreas o superficies que están en contacto directo con el agua durante el ciclo de congelación (depósito, evaporador, barrena, tuberías de desagüe)

#### Procedimiento de desincrustante y desinfección

Este procedimiento se debe realizar una vez cada seis meses como mínimo.

- Se debe retirar todo el hielo del recipiente
- La máquina de hacer hielo y el recipiente se deben desmontar, decalcificar y desinfectar
- La máquina de hacer hielo produce hielo con las soluciones de descalcificador y desinfectante
- Se debe desechar todo el hielo que se produzca durante los procedimientos de desincrustante y desinfección

#### Procedimiento de desincrustante de piezas con muchas incrustaciones

Realice este procedimiento si tiene todos o alguno de estos síntomas.

- Ruidos de rechinar, estallidos o chillidos del evaporador
- Ruido de rechinar de la caja de engranajes
- La máquina de hacer hielo se detiene en apagado de seguridad
- El agua tiene una alta concentración de minerales
- La máquina de hacer hielo no se ha sometido a un programa de mantenimiento regular

Realice un procedimiento de desincrustante como se describe anteriormente después de finalizar este

procedimiento.

**NOTA:** Se debe realizar un procedimiento de desinfección después de terminar todos los procedimientos de desincrustante .Procedimientos para decalcificar máquinas de hacer hielo en escamas o nugget con muchas incrustaciones

Se deberá ejecutar este procedimiento en máquinas de hacer hielo con muchas incrustaciones o que no se han limpiado regularmente. No hacerlo puede provocar el atasco de la barrena cuando se libere la acumulación de cal de la barrena y del cilindro del evaporador.

**Paso 1** Retire los paneles y coloque el interruptor basculante ICE/OFF/CLEAN en la posición OFF.

**Paso 2** Retire todo el hielo del recipiente.

**Paso 3** Cierre el suministro de agua hacia la máquina de hacer hielo.

**Paso 4** Coloque el interruptor basculante ICE/OFF/CLEAN en la posición CLEAN. La válvula de descarga se abrirá y vaciará el agua del evaporador y el depósito.

**Paso 5** Espere aproximadamente 30 segundos (o hasta que el evaporador se vacíe) y coloque el interruptor basculante en la posición OFF.

**Paso 6** Consulte la tabla y agregue la cantidad correcta de descalcificador para su modelo de máquina de hacer hielo.

Modelo	Cantidad de descalcificador
CNF201 CNF202	355 ml (12 onzas)

**Paso 7** Abra el suministro de agua hacia la máquina de hacer hielo.

**Importante**

Deje la solución de descalcificador y agua en el evaporador durante un mínimo de 4 horas.

**Paso 8** Mueva el interruptor basculante a la posición ICE. Se encenderá el compresor y producirá hielo con la solución de desincrustante . Continúe el ciclo de congelación durante 15 minutos.

**Paso 9** Mueva el interruptor basculante a la posición OFF, luego siga los procedimientos estándar de desincrustante (página 16) y desinfección (página 15).

**PROCEDIMIENTO DE DESINCRUSTANTE**

Antes de este procedimiento, se deberá ejecutar el procedimiento de procedimiento de desincrustante de piezas con muchas incrustaciones en máquinas de hacer hielo con muchas incrustaciones o que no se han limpiado regularmente. No hacerlo puede provocar el atasco de la barrena cuando se libere la acumulación de cal de la barrena

y del cilindro del evaporador.

El descalcificador para la máquina de hacer hielo se usa para eliminar la acumulación de cal y los depósitos de otros minerales. No se usa para eliminar algas ni limo. Consulte “Procedimiento de desinfección” para eliminar algas y limo.

**Paso 1** Retire los paneles y coloque el interruptor basculante ICE/OFF/CLEAN en la posición OFF.

**Paso 2** Cierre el suministro de agua hacia la máquina de hacer hielo.

**Paso 3** Retire todo el hielo del recipiente.

**Paso 4** Coloque el interruptor basculante ICE/OFF/CLEAN en la posición CLEAN. La válvula de descarga se abrirá y vaciará el agua del evaporador y el depósito.

**Paso 5** Espere aproximadamente 30 segundos (o hasta que el evaporador se vacíe) y coloque el interruptor basculante en la posición OFF.

**Paso 6** Consulte la tabla y realice una premezcla de la cantidad correcta de descalcificador y agua fría para su máquina de hacer hielo.

Modelo	Cantidad de descalcificador Número de pieza 00000084	Cantidad de agua
CNF201 CNF202	60 ml (2 onzas)	1 litro (32 onzas)

**Paso 7** Retire la cubierta superior de la tolva de hielo y vierta la solución de descalcificador y agua en el evaporador. Agregue toda la solución premezclada (el exceso de solución saldrá por el tubo de rebose hacia el depósito de agua).

**Paso 8** Vuelva a colocar la cubierta de la tolva de hielo y permita que la máquina de hacer hielo se mantenga detenida durante 30 minutos.

**Paso 9** Abra el suministro de agua hacia la máquina de hacer hielo.

**Paso 10** Mueva el interruptor basculante a la posición ICE. Después de que termine el período de retardo de 15 minutos, se encenderá el compresor y producirá hielo con la solución de desincrustante .

**Paso 11** La máquina de hacer hielo congelará y descargará la solución de desincrustante en el recipiente. Permita que el ciclo se ejecute durante por 15 minutos.

**Paso 12** Coloque el interruptor basculante en la posición OFF y consulte el procedimiento de desinfección.

**NOTA:** Deseche todo el hielo que se produjo durante el proceso de desincrustante . Se debe realizar desincrustante y desinfección en superficies adyacentes que no tienen contacto con el sistema de distribución de agua. Consulte Desmontaje de componentes para desincrustante y



desinfección (página 17): Desarme, limpie y desinfecte la máquina de hacer hielo una vez cada seis meses como mínimo.

### PROCEDIMIENTO DE DESINFECCIÓN

El desinfectante para máquinas de hacer hielo se usa para eliminar algas o limo. No se usa para eliminar acumulaciones de cal o depósitos de otros minerales. Consulte “Procedimiento de desincrustante preventiva de mantenimiento” ante para eliminar acumulaciones de cal o depósitos de otros minerales.

NOTA: Se debe realizar la desinfección en superficies adyacentes que no tienen contacto con el sistema de distribución de agua. Siempre realice el procedimiento Desmontaje de componentes para desincrustante y desinfección y el Procedimiento de desincrustante preventiva de mantenimiento antes de desinfectar la máquina de hacer hielo.

**Paso 1** Cierre el suministro de agua hacia la máquina de hacer hielo.

**Paso 2** Coloque el interruptor basculante ICE/OFF/CLEAN en la posición CLEAN. La válvula de descarga se abrirá y vaciará el agua del evaporador y el depósito.

**Paso 3** Espere aproximadamente 30 segundos (o hasta que el evaporador se vacíe) y coloque el interruptor basculante en la posición OFF.

**Paso 4** Consulte la tabla y agregue la cantidad correcta de desinfectante y agua fría para su modelo de máquina de hacer hielo.

Modelo	Cantidad de desinfectante	Cantidad de agua
CNF201 CNF202	60 ml (2 onzas)	11 litros (3 galones)

**Paso 5** Retire la cubierta superior de la tolva de hielo y vierta la solución de desinfectante y agua en el evaporador. Agregue toda la solución premezclada (el exceso de solución saldrá por el tubo de rebose hacia el depósito de agua).

**Paso 6** Vuelva a colocar la cubierta de la tolva de hielo y permita que la máquina de hacer hielo se mantenga detenida durante 30 minutos.

**Paso 7** Abra el suministro de agua hacia la máquina de hacer hielo.

**Paso 8** Mueva el interruptor basculante a la posición ICE. Después de que termine el período de retardo de 15 minutos, se encenderá el compresor y producirá hielo con la solución de desinfección.

**Paso 9** La máquina de hacer hielo congelará y descargará la solución de desinfección en el recipiente. Permita que el ciclo se ejecute durante por 15 minutos.

NOTA: Deseche todo el hielo que se produjo durante el proceso de desinfección.

**Paso 10** Coloque el interruptor basculante en la posición CLEAN. La máquina de hacer hielo ejecutará un ciclo de lavado, una serie de ciclos de enjuague, y se detendrá. El ciclo completo dura aproximadamente 30 minutos.

**Paso 11** Consulte Desmontaje de componentes para desincrustante y desinfección (página 17), retire, limpie y desinfecte todas las piezas que se indican.

**PROCEDIMIENTO DE DESINCRUSTANTE PREVENTIVA DE MANTENIMIENTO**

El descalcificador para la máquina de hacer hielo se usa para eliminar la acumulación de cal y los depósitos de otros minerales. No se usa para eliminar algas ni limo. Consulte “Procedimiento de desinfección” para eliminar algas y limo. Use el siguiente procedimiento para iniciar un ciclo de desincrustante con la tecnología de limpieza de Manitowoc.

**Paso 1** Para iniciar un ciclo de limpieza, mueva el interruptor basculante a la posición CLEAN (Limpiar). El agua fluirá por la válvula de descarga de agua y por el desagüe.

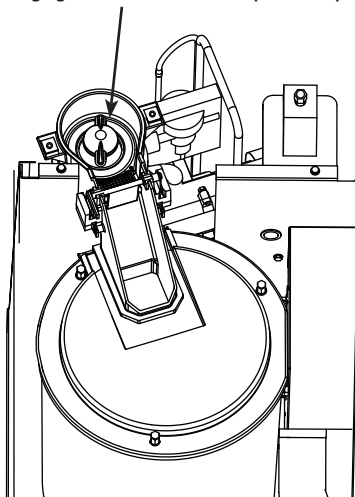
**Paso 2** Retire el panel superior y la cubierta de la tolva de hielo de plástico transparente. Espere aproximadamente un minuto, luego agregue la cantidad adecuada de descalcificador para máquinas de hacer hielo Manitowoc. Enjuague el descalcificador de la parte superior del evaporador con 60 ml (2 oz) de agua limpia y vuelva a instalar la cubierta.

Modelo	Cantidad de descalcificador
CNF201 CNF202	60 ml (2 onzas)

**⚠ Precaución**

Use solo el descalcificador aprobado por Manitowoc para la máquina de hacer hielo. El uso de estas soluciones de una manera incoherente con la de su etiquetado constituye una violación a la ley federal. Lea y comprenda todas las etiquetas impresas en las botellas antes de usar.

Agregue descalcificador al evaporador aquí



**Paso 3** La máquina de hacer hielo ejecutará un ciclo de lavado, una serie de ciclos de enjuague, y se detendrá. El ciclo completo dura aproximadamente 30 minutos.

NOTA: Se debe realizar desincrustante periódica en superficies adyacentes que no tienen contacto con el sistema de distribución de agua.

NOTA: Se puede configurar la máquina de hacer hielo para iniciar y terminar un procedimiento de limpieza y, luego, comenzar automáticamente a producir hielo de nuevo.

- A. Después que se agrega el descalcificador, mueva el interruptor de la posición CLEAN a ICE.
- B. Cuando el ciclo de limpieza esté completo, la producción de hielo comenzará automáticamente.

**Cambio de posición del interruptor basculante durante el ciclo de limpieza:**

1. Menos de 60 segundos en el ciclo de limpieza: El ciclo de limpieza termina cuando el interruptor basculante se mueve a la posición OFF.
2. Más de 60 segundos en el ciclo de limpieza: La máquina terminará el ciclo de limpieza. La posición del interruptor basculante determinará el siguiente ciclo después de finalizado el ciclo de limpieza.
  - POSICIÓN CLEAN: La máquina de hacer hielo esperará un cambio en la posición del interruptor basculante.
  - POSICIÓN OFF: La máquina de hacer hielo esperará un cambio en la posición del interruptor basculante.
  - POSICIÓN ICE: La máquina de hacer hielo comenzará automáticamente la producción de hielo.

Manitowoc recomienda desarmar, decalcificar y desinfectar la máquina de hacer hielo y el dispensador cada seis meses.

### Desmontaje de componentes para desincrustante y desinfección

La máquina de hacer hielo se debe desmontar, decalcificar y desinfectar cada seis meses.

**⚠️ Precaución**

No mezcle las soluciones de descalcificador y de desinfectante. El uso de estas soluciones de una manera incoherente con la de su etiquetado constituye una violación a la ley federal.

1. Cierre el suministro de agua hacia la máquina de hacer hielo.

**⚠️ Advertencia**

Use guantes de goma y gafas de seguridad (o protección para el rostro) cuando manipule el descalcificador o el desinfectante para la máquina de hacer hielo.

2. Coloque el interruptor basculante en la posición CLEAN durante 30 segundos para vaciar el agua del depósito, luego muévelo a la posición OFF.
3. Haga funcionar el dispensador para traspasar todo el hielo desde el recipiente a otro recipiente.

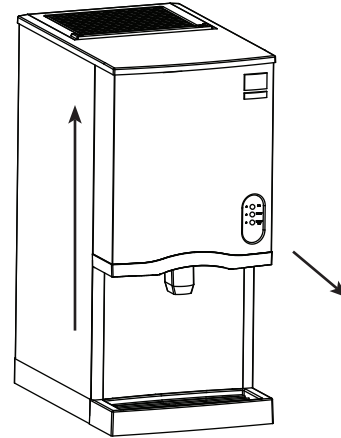
**⚠️ Advertencia**

Desconecte la energía eléctrica hacia la máquina de hacer hielo en la caja de interruptores eléctricos antes de proceder.

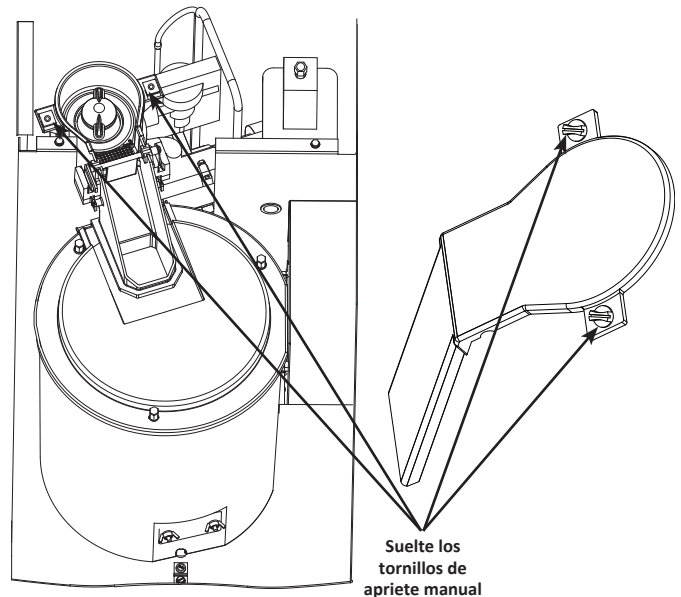
4. Desconecte la energía eléctrica de la máquina de hacer hielo.
5. Retire la cubierta superior.
  - A. Retire los dos tornillos de apriete manual.
  - B. Levante la cubierta superior para retirarla.



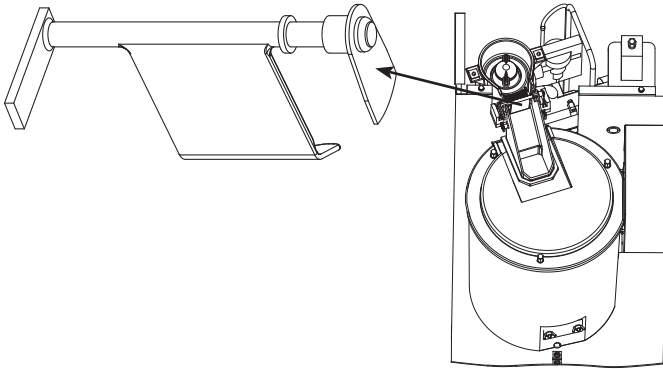
6. Retire la cubierta delantera.
  - A. Levante la cubierta delantera.
  - B. Tire de ella hacia adelante para desenganchar las ranuras de ojo de cerradura.



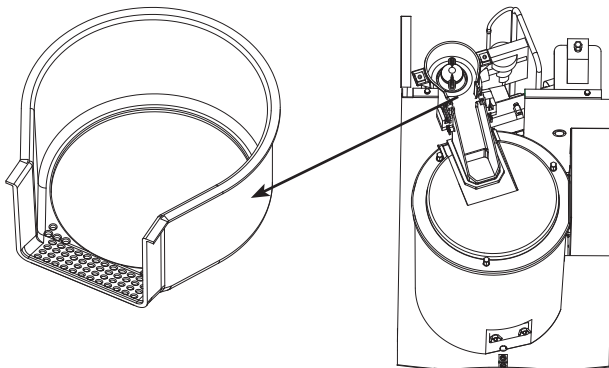
7. Retire la cubierta de la tolva de hielo.
  - A. Gire los dos tornillos de apriete manual 1/4 de vuelta.
  - B. Levante para retirar la cubierta.



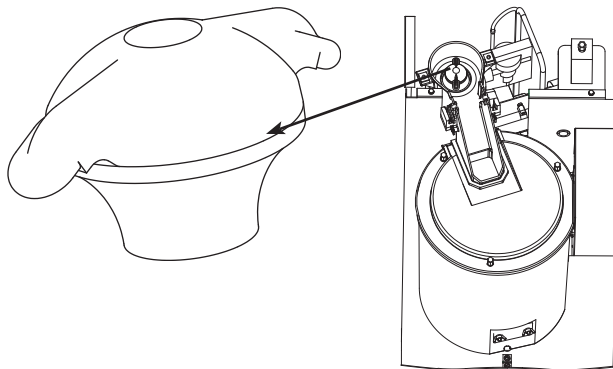
3. Levante la compuerta de hielo.



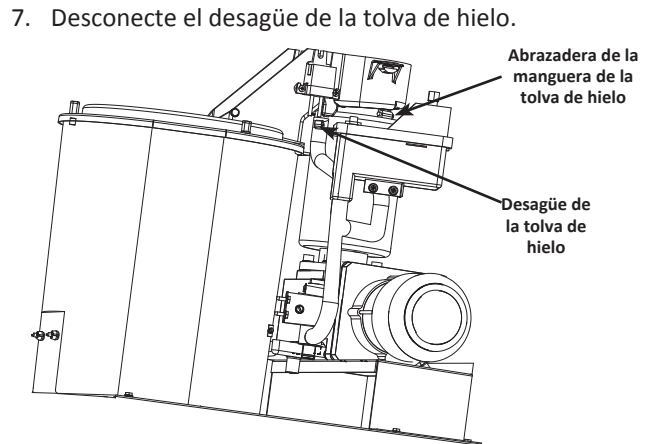
4. Levante la rampa del colador de hielo.



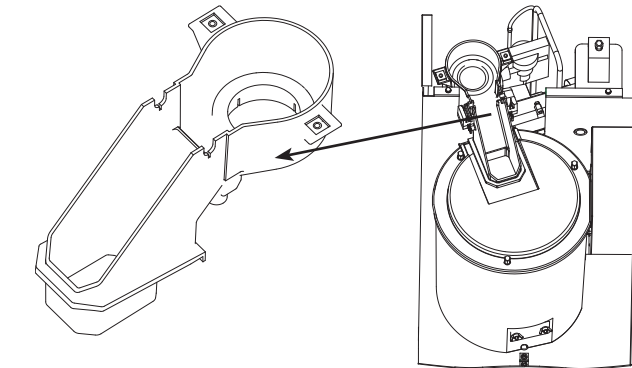
5. Gire el limpiaparabrisas de hielo en el sentido contrario al de las agujas del reloj para retirarlo.



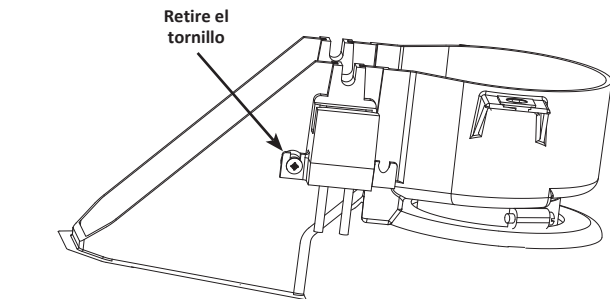
6. Suelte la abrazadera de la manguera de la tolva de hielo.



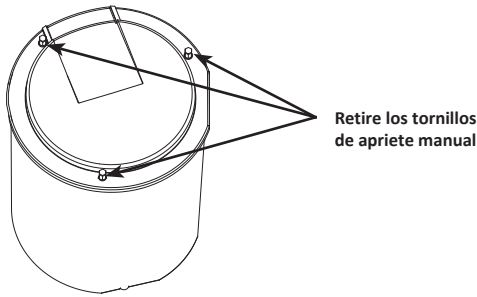
7. Desconecte el desagüe de la tolva de hielo.



8. Levante la tolva de hielo para retirarla. Se debe retirar la tolva de hielo para poder retirar la cubierta del recipiente.

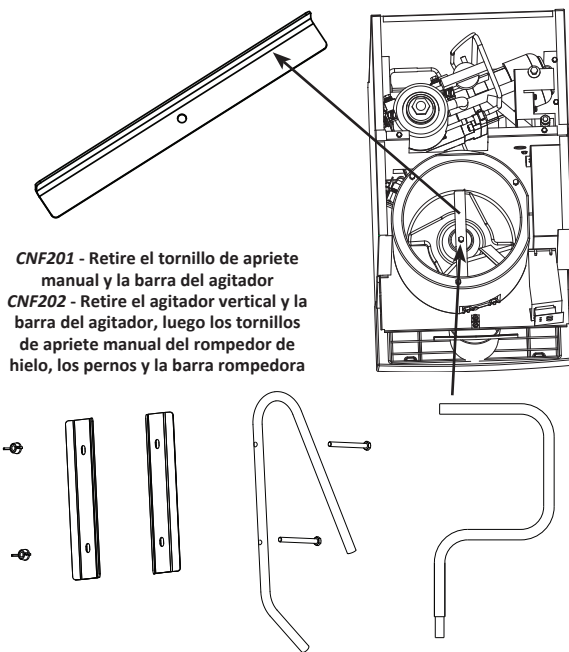


10. Retire los tres tornillos de apriete manual, luego retire la cubierta del recipiente.



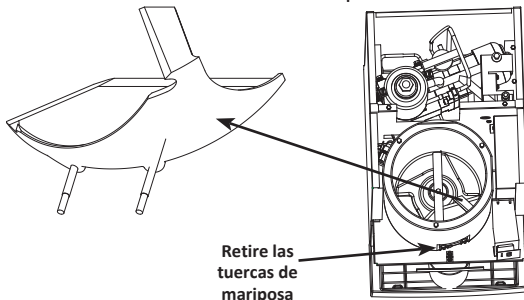
11. Retire la barra del agitador y el rompedor de hielo en CNF202.

NOTA: Para volver a montar la barra, inserte el borde delantero en la rueda de paletas, luego baje el borde posterior (redondeado en ángulo de 90 grados) para evitar la fuga de agua hacia el compartimiento del compresor.

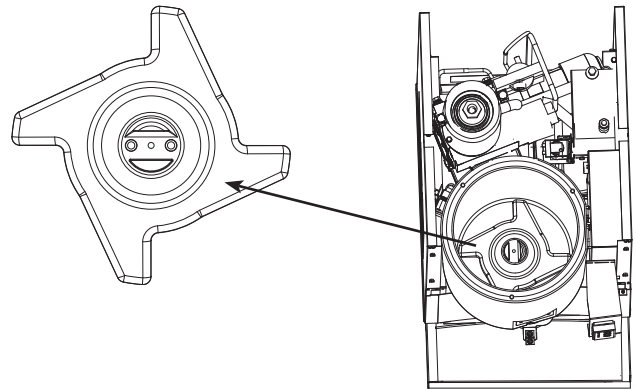


12. Retire el deflector de hielo.

- A. Retire los dos tornillos de apriete manual.
- B. Levante el deflector de hielo para sacarlo.

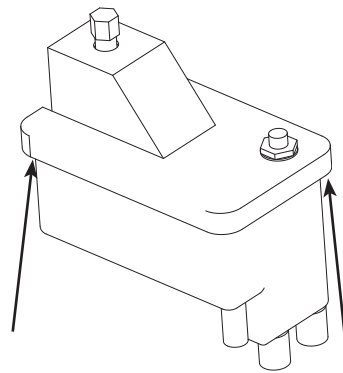


13. Para retirar la rueda de dispensado de hielo, levántela hacia arriba y sáquela.



14. Retire la cubierta del depósito de agua.

- A. Presione la cubierta hacia arriba para desencajarla.



15. Mezcle una solución de descalcificador y agua tibia. Dependiendo de la cantidad de minerales acumulados, es posible que se necesite una cantidad mayor de solución. Use la proporción del siguiente cuadro para mezclar suficiente solución para decalcificar exhaustivamente todas las piezas.

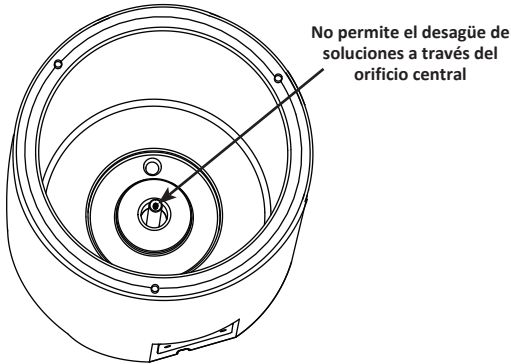
Tipo de solución	Agua	Mezclada con
Descalcificador	4 L (1 gal)	500 ml (16 oz) de descalcificador

16. Use la mezcla de descalcificador y agua para decalcificar todos los componentes. La solución descalcificador hará espuma cuando entre en contacto con acumulación de cal y depósitos de minerales; una vez que deje de hacer espuma, utilice un cepillo de cerdas suaves de nylon, una esponja o un trapo (NO un cepillo de alambre) para decalcificar cuidadosamente las piezas. Remoje las piezas durante 5 minutos (15 a 20 minutos para piezas con muchas incrustaciones). Enjuague todos los componentes con agua limpia.

**⚠ Precaución**

No vierta las soluciones de descalcificador o desinfectante en el recipiente. La solución se filtrará por la parte delantera del recipiente hacia el compartimiento del compresor.

17. Mientras se remojan los componentes, limpie todas las superficies de zona de alimentos del recipiente. Enjuague completamente todas las áreas con agua limpia.



18. Mezcle una solución de desinfectante y agua caliente.

Tipo de solución	Agua	Mezclada con
Desinfectante	23 L (6 gal)	120 ml (4 oz) de desinfectante

19. Use la mitad de la solución de desinfectante y agua para desinfectar todos los componentes que se retiraron. Use un paño o una esponja para aplicar generosamente la solución en todas las superficies de las piezas retiradas o remoje las piezas retiradas en la solución de desinfectante y agua. No enjuague las piezas después de desinfectarlas.
20. Use la mitad de la solución de agua y desinfectante para desinfectar el recipiente del dispensador, el canal de agua y la boquilla de descarga. Use un paño o esponja para aplicar generosamente la solución. No enjuague las áreas desinfectadas.
21. Vuelva a instalar las piezas que se retiraron, restablezca los suministros de agua y energía y realice una prueba de funcionamiento de la máquina de hacer hielo.

**NOTA:** Desconectar y volver a conectar el suministro de energía activa un retardo de tiempo de 15 minutos. Este período de retardo no se puede anular. Comenzará cuando se restablezca la energía y la máquina de hacer hielo se pondrá en marcha después de que termine el período de retardo de 15 minutos.

**Limpieza del condensador**

**⚠ Advertencia**

Desconecte la energía eléctrica hacia la máquina de hacer hielo y el condensador remoto en el interruptor de servicio eléctrico antes de limpiar el condensador.

**Condensador enfriado por aire**

Un condensador sucio limita el flujo de aire, lo que resulta en temperaturas de funcionamiento excesivamente altas. Esto disminuye la producción de hielo y reduce la vida útil del componente. Limpie el condensador al menos cada seis meses. Siga los pasos a continuación.

**⚠ Precaución**

Las aletas del condensador son afiladas. Sea cuidadoso al limpiarlas.

1. El filtro lavable está diseñado para atrapar polvo, suciedad, pelusas y grasa. Esto permite mantener limpio el condensador. Limpie el filtro con una solución de jabón suave y agua.
2. Limpie el exterior del condensador con una escobilla suave o una aspiradora con un accesorio de escobilla. Limpie desde arriba hacia abajo, no de lado a lado. Tenga cuidado de no doblar las aletas del condensador.
3. Ilumine con una linterna por el condensador para revisar si hay suciedad entre las aletas. Si queda suciedad:
  - A. Sople con aire comprimido a través de las aletas del condensador, desde adentro. Tenga cuidado de no doblar las paletas del ventilador.
  - B. Use un limpiador de bobinas de condensador comercial. Siga las instrucciones y las precauciones proporcionadas con el limpiador.
4. Limpie cuidadosamente las paletas del ventilador y el motor con un paño suave. No doble las paletas del ventilador. Si las paletas del ventilador están excesivamente sucias, lávelas con agua tibia y jabón, y enjuague completamente.

**Aviso**

Si está limpiando las paletas del ventilador del condensador con agua, cubra el motor del ventilador para evitar el daño con el agua.

## Retiro de servicio y preparación para el invierno

### ASPECTOS GENERALES

Se deben tomar precauciones especiales si sección superior de la máquina de hacer hielo se sacará de servicio por un período prolongado de tiempo o si se expondrá a temperaturas inferiores a 0° C (32 °F).

#### Aviso

Si se permite que permanezca agua en la máquina de hacer hielo en temperaturas de congelación, se podría producir daño grave a algunos de los componentes. El daño de esta naturaleza no se incluye en la garantía.

Siga el procedimiento a continuación.

1. Corte la energía eléctrica en el disyuntor o en el interruptor de servicio eléctrico.
2. Cierre el suministro de agua.
3. Desconecte y drene la tubería de agua de entrada para la producción de hielo en la parte posterior de la máquina de hacer hielo.
4. Desconecte la tubería de desagüe (desde la entrada hacia la válvula de descarga), vacíe el agua en un recipiente y deséchela.
5. Asegúrese de que el agua no esté atrapada en ninguna de las tuberías de agua o de desagüe, tubos de distribución, etc.

SE HA DEJADO ESTA PÁGINA EN BLANCO INTENCIONALMENTE



## Sección 5

### Solución de problemas

#### Lista de verificación

Si surge algún problema durante el funcionamiento de su máquina de hacer hielo, siga la lista de verificación a continuación antes de llamar al servicio técnico. La garantía no cubre los ajustes y procedimientos de mantenimiento de rutina.

Problema	Posible causa	Para corregir
La máquina de hacer hielo no funciona La luz azul en la boquilla dispensadora está apagada	La máquina de hacer hielo no recibe energía eléctrica	Restablezca el disyuntor, encienda al interruptor de alimentación principal o enchufe el cable en el receptáculo
	El interruptor basculante ICE/OFF/CLEAN está ajustado incorrectamente	Mueva el interruptor basculante a la posición ICE
La luz azul en la boquilla dispensadora está encendida	El fusible del tablero de control está abierto	Reemplace el fusible
	No ha terminado el retardo de 15 minutos	Espere 15 minutos para que arranque la máquina de hacer hielo
	El control de alta presión está abierto	Limpie el filtro y el condensador
	El depósito de agua está vacío. (El interruptor de detección de agua debe estar cerrado para arrancar el motor con engranaje reductor)	Abra la válvula de servicio de agua o limpie el filtro de la válvula de flotador
El motor con engranaje reductor funciona, pero en compresor no arranca.	Un filtro de aire o condensador sucio provoca la desconexión por alta presión y que se abra la sobrecarga del compresor	Limpie el filtro de aire y el condensador; desconecte la energía por un mínimo de 4 horas, luego energice. Si el problema persiste, comuníquese con una empresa de mantenimiento calificada para determinar la causa.
La máquina de hacer hielo se detiene y se puede reiniciar si se mueve el interruptor basculante a OFF y, luego, a ICE	La característica de resguardo de seguridad detiene la máquina de hacer hielo	Consulte "Característica de resguardo de seguridad" en el manual de mantenimiento
La calidad del hielo es deficiente	Calidad deficiente del agua entrante	Comuníquese con una empresa de mantenimiento calificada para probar la calidad del agua entrante y revisar el filtro
	La filtración de agua es deficiente	Reemplace el filtro
	La temperatura del agua entrante es de más de 32 °C (90 °F)	Corrija la temperatura del agua (Verifique que las válvulas de retención y mezcla en otros equipos estén funcionando correctamente) Conecte la máquina de hacer hielo a un suministro de agua fría
	La presión del agua es baja	La presión de agua se debe mantener entre 138 y 552 kPa (20 y 80 psi)
	El ablandador del agua no funciona en forma adecuada (si corresponde)	Repare el ablandador de agua

<b>Problema</b>	<b>Posible causa</b>	<b>Para corregir</b>
Baja capacidad de hielo o la máquina de hacer hielo se enciende y apaga repetidamente	El suministro de agua entrante está apagado	Abra la válvula de servicio de agua
	La válvula de descarga de agua tiene fugas	Limpie la válvula de descarga
	La presión del agua es baja. El interruptor de detección de agua apaga la máquina de hacer hielo repetidamente	La presión de agua se debe mantener entre 138 y 552 kPa (20 y 80 psi)
	La temperatura del agua entrante es de más de 32 °C (90 °F)	Corrija la temperatura del agua. (Verifique que las válvulas de retención y mezcla en otros equipos estén funcionando correctamente)
	Cortes de energía frecuentes o subidas o bajadas de tensión	Verifique que la máquina de hacer hielo esté en un circuito separado y que la energía sea estable
	La válvula de flotador de agua quedó abierta o tiene fugas	Retire y limpie la válvula de flotador
	Hay objetos apilados alrededor de la máquina de hacer hielo que bloquean el flujo de aire hacia el condensador	Retire los elementos que bloquean el flujo de aire.
	La temperatura del aire es alta alrededor de la máquina de hacer hielo	La temperatura del aire no debe exceder los 43 °C (110 °F)
	Espacio libre inadecuado alrededor de la máquina de hacer hielo	Proporcione un espacio libre adecuado.
	El condensador está sucio	Limpie el condensador





MANITOWOC ICE  
2110 SOUTH 26TH STREET, MANITOWOC, WI 54220

---

800-545-5720  
[WWW.MANITOWOCICE.COM](http://WWW.MANITOWOCICE.COM)