

Project _____
 Item _____
 Quantity _____
 CSI Section 11400
 Approved _____
 Date _____

RNP0320

NUGGET ICE MACHINE

RNP0320 Nugget Ice Machine

Models

- RNP0320A



RNP0320A Nugget Ice Machine on Multiplex SV-250 Dispenser

Model RNP0320A Nugget Ice Machine on D-420 Bin

Standard Features

- Bite sized nugget with 85% ice content offers one of the best ice to water ratios for maximum cooling and minimal drink dilution
- Up to 300 lbs (136 kg) of daily ice production
- Perfect for beverage applications, dispensing, smoothies, and cold therapy
- Can be paired with any Multiplex beverage dispenser for an unbeatable soft drink experience
- High load maintenance free bearings for enhanced reliability
- R290 Refrigerant is environmentally friendly with less ozone depletion compared to R404



Specifications

BTU per hour:
7,511 (average)

Compressor:
Nominal rating: 3/4 HP

Refrigerant:
R290

- Operating Limits:**
- Ambient Temperature Range: 50° -110° F (10° -43° C)
 - Water Temperature Range: 37° -90° F (3° -32° C)
 - Water Pressure Ice Maker Water In:
Min. 14 psi (96.5 kPa)
Max. 80 psi (551.1 kPa)

Ice Machine Electric

115/60/1 standard. (230/50/1 also available.)

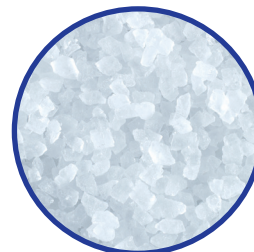
Minimum circuit ampacity:
7.5 amps.

Maximum fuse size:
15 amps.

HACR-type circuit breakers can be used in place of fuses.

Ice Shape

Nugget ice consists of small pieces ranging from 3/8" to 1/2" in width and length on average. Offers a 85% ice to water ratio with a soft, chewable texture while still providing maximum cooling effect and great dispensibility.



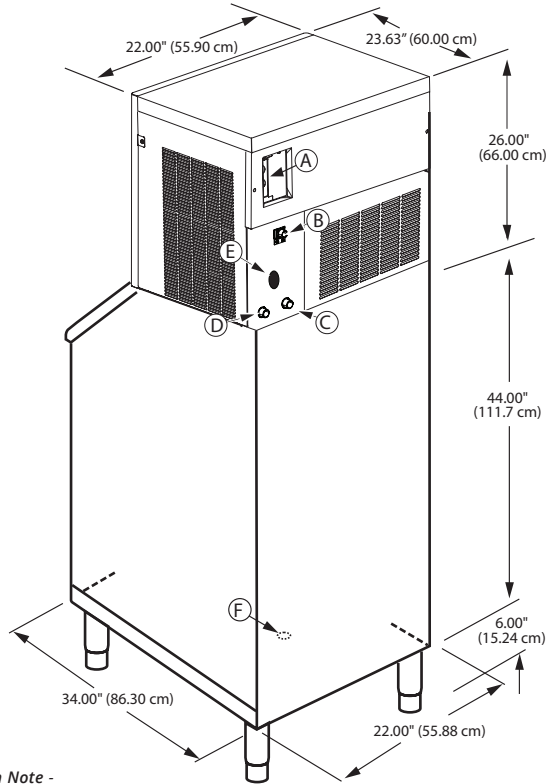
Ice shown actual size





RNP0320 Nugget Ice Machine

RNP0320 on D-420



Installation Note -
 Minimum installation clearance:
 Top/sides: 8" (20.32 cm),
 Back: 5" (12.70 cm).

Dispenser Note -
 Verify with the dispenser
 manufacturer that the correct
 agitator and deflector kit for
 nugget ice dispensing is included
 with your dispenser purchase. Use
 9" Discharge Tube for dispenser
 applications (ships standard with
 the ice machine).

Space-Saving Designs



RNP0320A on D-420

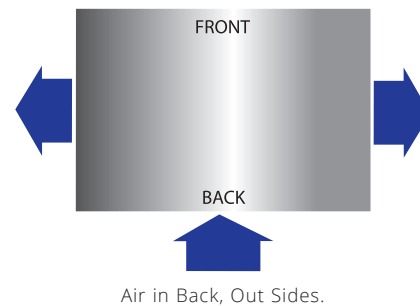
Height	76.00"
Width	193.00 cm
Depth	22.00"
Bin Storage	310 lbs
	140.7 kg

Height includes adjustable bin legs 6.00" to 7.00", (15.24 to 17.78 cm) set at 6.00" (15.24 cm).

Accessories

K00472 30" D Style Bin Adapter

Air Flow Overhead View



Air-Cooled Ice Machine	Model	Ice Shape	Ice Production 24 Hours		Power kWh/100 lbs @ 90°Air/70°F	Potable Water Usage (100 lbs./45.4 kgs of Ice)
			70° Air/50°F Water 21° Air/10° C Water	90° Air/70°F Water 32° Air/21° C Water		
	RNP0320A	Nugget	300 lbs 136 kg	259 lbs 117 kg	6.04	12 gal 45.4 L

Welbilt reserves the right to make changes to the design or specifications without prior notice.