

Project _____
 Item _____
 Quantity _____
 CSI Section 11400
 Approved _____
 Date _____

QuietQube® RFF-1220C

Remote Flake Ice Machine

QuietQube® RFF-1220C Remote Flake Ice Machine

Models

RFF-1220C



RFF-1220C Remote Flake Ice Machine - 208-230V



RCUF-1200 Condensing Unit - 208-230V



RFF-1220C Remote Flake Ice Machine on D-570 Bin

Standard Features

QuietQube® Series Remote System consists of a remote condensing unit, interconnecting refrigerant lines, ice machine head section, and ice storage unit—All ordered separately. QuietQube ice machine with RCUF condensing unit is designed as a Manitowoc system and not for use with any other ice machine or remote condenser brand.

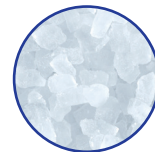
- Up to 1092 lbs (495 kg) daily ice production.
- Only 22" (55.88 cm) wide.
- Evaporator is designed for maximum quality and operating life.
- Remote, air-cooled condenser system improves efficiency and ice production, conserving energy. Manitowoc remote condenser systems effectively dissipate heat at a convenient location, indoors or outdoors, away from the ice machine. This maximizes ice-making capability and minimizes air conditioning loads by lowering the ambient air temperature at the ice machine.
- Quiet operation eliminates most noise from the refrigeration system. Promotes a relaxing atmosphere.
- Ice machine is lighter in weight to simplify installation.
- Stainless steel exterior has a clean and modern look to enhance the display in any self-serve environment.

COMMERCIAL WARRANTY

ICE MAKER	COMPRESSOR	
3	3	5
YEAR PARTS	YEAR LABOR	YEAR 3 YEARS LABOR

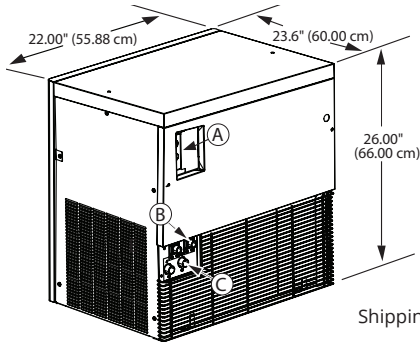
Ice Shape

Flake ice is small hard bits of ice ideally suited for presentation applications.





RFF-1220C Ice Machine



- Ⓐ Electrical Entrance (2) Options
- Ⓑ 3/8" F.P.T. Ice Making Water Inlet
- Ⓒ 1/2" M.P.T. Ice Making Water Drain

Shipping Weight: 186 lbs / 84.5 kg

Ice Machine Electric

208-230/60/1, 50 Hz version also available.

Minimum circuit ampacity: 1.4

Max. fuse size: 15 amps

The ice machine and condensing unit are powered independently of each other. HACR-type circuit breakers can be used in place of fuses.

Specifications

Refrigerant: R404A

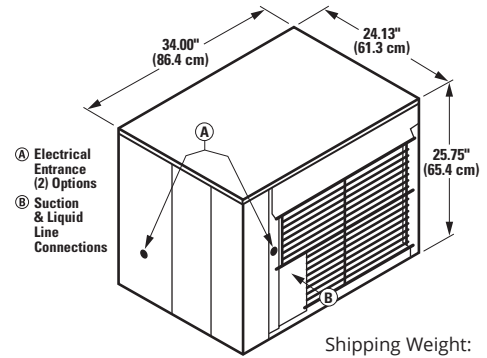
Operating Limits:

- Ambient Temperature Range: 50°-110°F (10°-43°C)
- Water Temperature Range: 37°-90°F (3°-32°C)
- Water Pressure Ice Maker Water In: Min. 14 psi (96.5 kPa) Max. 80 psi (551.1 kPa)

Bin	Adapter
D-570	K-00443
D-970	K-00444
F-700	K-302200
F-1325	K-00421 & K-603030
FC-1350	K-00421 & K-613030

* K-00404 included standard with purchase of RF-1278C flake ice machine

RCUF-1200 Condensing Unit



Shipping Weight: 200 lbs / 91 kg

Condensing Unit Electric

208-230/60/1 standard. 208-230/60/3 also available.

Note: QuietQube ice machine is wired independent of condensing unit.

Min. circuit ampacity: 15 1ph 15 3ph

Max. fuse size: 15 1ph 15 3ph

BTU Per Hour: 7,680 (average)

Compressor: Nominal rating: 1-1/2 HP

Operating Limits:

Ambient Temperature Range:

-20° to 120°F (-29° to 49°C)

Installation Information and Dimensions:

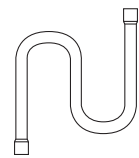
Maximum Line Length— 100' (30.5 m)*

Maximum Vertical Rise*— 35' (10.7 m) above ice machine.

Maximum Vertical Drop—

15' (4.5 m) below ice machine.

*A rise over 20' (6 m) requires S-Trap Kit K-00172 - ordered separately



Remote Air-cooled Ice Machine

Model	Ice Shape	Ice Production 24 Hours		Power Usage kWh/100 lbs.@ 90°Air/70°F 32°Air/21°C Water	Potable Water Usage/ 100 lbs. 45.4 kgs of Ice
		70°Air/ 50°F Water 21°Air/ 10°C Water	90°Air/ 70°F Water 32°Air/ 21°C Water		
RFF-1220C	Flake	1092lbs	958 lbs	3.98	12 Gal.
		495 kg	435 kg		45 L

Standard Interconnecting Tubing

Model	Line Length		Weight	
	ft.	m	lbs	kg
RC-21	20	6	12	5

Welbilt reserves the right to make changes to the design or specifications without prior notice.