

iT0500 Ice Cube Machine

Models

- IRT0500A
 IDT0500A
 IYT0500A
 IRT0500W
 IDT0500W
 IYT0500W
 IDT0500N
 IYT0500N



Indigo NXT Series iT0500 Ice Machine on D570 Bin

Designed for operators who know that ice is critical to their business, the Indigo NXT Series ice machine's preventative diagnostics continually monitor itself for reliable ice production. Improvements in cleanability and programmability make your ice machine easy to own and less expensive to operate.

- **New levels of Performance** – Showcasing an average of 12% lower energy consumption and a 23% reduction in condenser water usage. This translates into lower cost of ownership over the life of your machine.
- **easyTouch[®] Display** - New icon based touch screen takes the guess work out of owning and operating an ice machine.
- **Programmable Ice Production** - Now its super easy to program your ice machine to be off at certain times of the day to save money with fluctuating electrical rates. Also programmable by daily ice production volume.
- **Easy to Clean Foodzone** – Hinge front door swing out for easy access. Removable water-trough, distribution tube, curtain, water probe and water pump for fast and efficient cleaning. Selected components are made with AlphaSan[®] antimicrobial.
- **Intelligent Diagnostics** – Provides 24 hour preventative maintenance and diagnostic feedback for trouble free operation.
- **Acoustical Ice Sensing Probe** – Unique patented technology allows for reliable operation in challenging water conditions and environments
- **DuraTech[®] Exterior** - Provides superior corrosion resistant above stainless steel. Innovative clear-coat resists fingerprints and dirt making it easier to keep clean.
- Available **LuminIce[®] II Growth Inhibitor** - Controls the growth of bacteria and yeast within the Food zone keeping the machine cleaner longer. A new indicator in the display keeps you abreast of the operational status.

Ice Machine Electric

115/60/1 standard
(208-230/60/1 also available)

Minimum circuit ampacity:

Air-cooled: 115v : 11.5, 208-230v : 5.1
Water-cooled: 115v : 10.8
Remote 115v : 13.7

Maximum fuse size:

Air Cooled: 15 amps
Water cooled: 15 amps
Remote: 20 amps



Specifications

Operating Limits:

BTU Per Hour:
3,800 (average),
and 6,000 (peak)

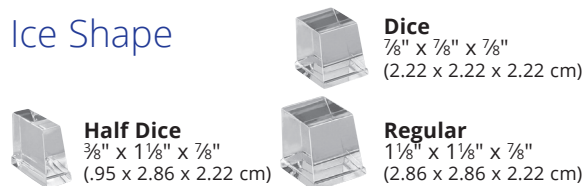
- Ambient Temperature Range: 40° to 110°F (4.4° to 43.3° C)
Water Temperature Range: 40° to 90°F (4.4° to 32.2° C)

Refrigerant:

R410A CFS - Free
Lowers global warming
by 48%

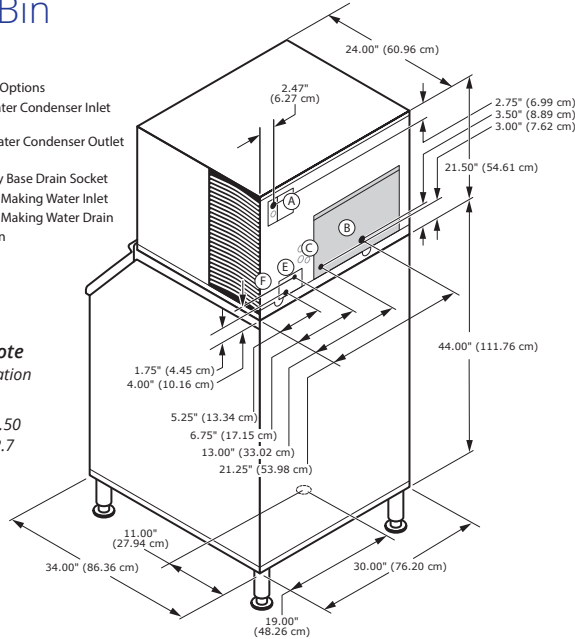
- Water Pressure Ice Maker
Water In:
Min. 20 psi (137.9 kPa)
Max. 80 psi (551.1 kPa)

Ice Shape



iT0500 on D-570 Storage Bin

- (A) Electrical Entrance (2) Options
- (B) 3/8" (0.95 cm) F.P.T. Water Condenser Inlet (water-cooled units)
- (C) 1/2" (1.27 cm) F.P.T. Water Condenser Outlet (water-cooled units)
- (D) 1/2" (1.27 cm) Auxiliary Base Drain Socket
- (E) 3/8" (0.95 cm) F.P.T. Ice Making Water Inlet
- (F) 1/2" (1.27 cm) F.P.T. Ice Making Water Drain
- (G) 3/4" (1.91 cm) Bin Drain



Installation Note
Minimum installation clearance:

Top/side: 12" (30.50 cm)
Back is 5" (12.7 cm)

Space-Saving Design



| | iT0500 D-400 | iT0500 D-570 |
|-------------|------------------------|------------------------|
| Height | 59.50" 151.13 cm | 71.50" 181.61 cm |
| Width | 30.00" 76.2 cm | 30.00" 76.2 cm |
| Depth | 34.00" 86.30 cm | 34.00" 86.30 cm |
| Bin Storage | 365 lbs. 165.7 kgs. | 543 lbs. 241.1 kgs. |

Height includes adjustable bin legs 6.00" to 8.00", (15.24 to 20.32 cm) set at 6.00" (15.24 cm).
Bin capacity is based on 90% of the volume x 33 lbs/ft³ average density of ice.

Specifications

| | Model | Ice Shape | Ice Production 24 Hours | | Power Usage kWh/100 lbs. @90°Air/70°F 1 Ph | Potable Water Usage/100 lbs. 45.4 kgs. of Ice |
|---|-----------|-----------|-------------------------|--------------------|--|---|
| | | | 70°Air/ 50°F Water | 90°Air/ 70°F Water | | |
| AIR COOLED | IRT0500A | Regular | 500 lbs. | 386 lbs. | 5.04 ★ | 19 Gal. 71.9 L |
| | | | 227 kgs | 175 kgs | | |
| | IDT0500A | dice | 520 lbs. | 400 lbs. | 5.25 ★ | 19 Gal. 71.9 L |
| WATER COOLED | IYT0500A | half-dice | 550 lbs. | 440 lbs. | 4.58 ★ | 19 Gal. 71.9 L |
| | | | 249 kgs | 200 kgs | | |
| | IRT0500W | Regular | 500 lbs. | 406 lbs. | 4.30 | 19 Gal. 71.9 L |
| | | | 227 kgs | 184 kgs | | |
| IDT0500W | dice | 500 lbs. | 400 lbs. | 4.41 | 19 Gal. 71.9 L | |
| | | 227 kgs | 181 kgs | | | |
| IYT0500W | half-dice | 535 lbs. | 460 lbs. | 3.90 | 19 Gal. 71.9 L | |
| | | 243 kgs. | 209 kgs | | | |
| * Water-cooled Condenser Water Usage / 100 lbs. /45.4 kgs. Of Ice: 130 gal/ 492 L. *Water-cooled models are excluded from ENERGY STAR qualification. | | | | | | |
| REMOTE COOLED | IDT0500N | dice | 510 lbs. | 450 lbs. | 6.11 | 19 Gal. 71.9 L |
| | | | 231 kgs | 204 kgs | | |
| IYT0500N | half-dice | 585 lbs. | 500 lbs. | 5.59 ★ | 19 Gal. 71.9 L | |
| | | 265 kgs. | 227 kgs | | | |

Ice storage bin and JCT0500 remote condenser for remote units must be ordered separately

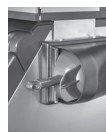
Order separately, ice storage bin units for "N" models remote condenser JCT0500
★ENERGY STAR[®] 3.0

Accessories

LuminIce[®] II Growth Inhibitor
reduces yeast and bacteria growth for a cleaner ice machine.



External Scoop holder
Protect the ice scoop with the NSF approved versatile scoop holder.



Arctic Pure[®] Water Filters
Reduces sediment and chlorine odors for better tasting ice.



iAUCS[®]
schedules and performs routine ice machine cleaning automatically.



Welbilt reserves the right to make changes to the design or specifications without prior notice.