

**For Opening Heights up the 3'**

**STANDARD CONSTRUCTION**

- 7" high x 7 3/4" deep
- One speed motor(s)
- Factory installed fan/heat switch
- Silver powder coated extruded aluminum exterior cabinet
- Factory installed "Mount Anywhere" bracket system
- 6' plug-in type power cord
- Filter (washable)

- Open helical element with point suspension
  - Thermal overload protection
  - Galvanized steel frame

**1 Year  
Limited  
Warranty**



| MODEL       | Nozzle Width (in) | Max Vel. at Nozzle (fpm) | Avg. Outlet Vel. (fpm) | Air Volume (cfm) | Outlet Vel. Uniformity | Power Rating (kW) | Motor(s) @ hp      | Max Electric Capacity (kW) | Heater Output (MBH) | Air Temp. Rise (°F) | Net Wt. (lbs) |
|-------------|-------------------|--------------------------|------------------------|------------------|------------------------|-------------------|--------------------|----------------------------|---------------------|---------------------|---------------|
| DTU03-1018E | 16.50             | 2,800                    | 1,047                  | 135              | 76%                    | 0.06              | 1 @ 1/12           | 1.7                        | 5.8                 | 40°                 | 12            |
| DTU03-2026E | 24.50             | 2,800                    | 1,045                  | 200              | 79%                    | 0.10              | 1 @ 1/12, 1 @ 1/20 | 1.7                        | 5.8                 | 27°                 | 18            |

NOTE: Operation at 50 Hz will generate approximately a 17% reduction in air performance.  
See sheet EP-012 for amp draws/total load requirements.

**MODEL NUMBER CONFIGURATION**

**DTU03-1 018 E A**

| Series | # of Motors | Opening Width | Heat              | Voltage     |
|--------|-------------|---------------|-------------------|-------------|
| DTU03  | 1, 2        | 18" - 26"     | E=Electric Heated | *A=120/1/60 |

\*Suitable for 50hz

Sound level measured 10' (3m) from the unit in free field:  
1 & 2 motor(s): 51.5 dBA & 52.0 dBA

Berner reserves the right to alter specifications without prior notice.



**DRIVE-THRU UNIT 3**  
**Electric Heated Air Curtain**  
**Electrical Performance Sheet**

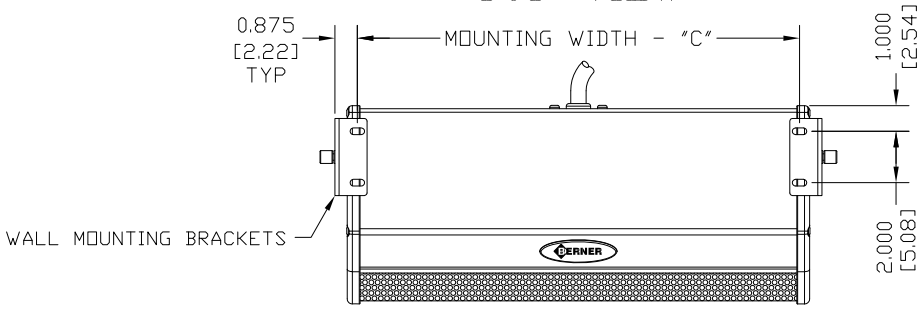
|             |            |              |        | 120/1/60 (voltage code A)<br>MOTOR AMP DRAW = N/A |                            |
|-------------|------------|--------------|--------|---|----------------------------|
| MODEL       | *kW option | Temp Rise °F | # CKTS | AMPS PER CIRCUIT (including motor)                | BREAKER RATING PER CIRCUIT |
| DTU03-1018E | 1.7        | 47           | 1      | 15.7  | 20*                        |
| DTU03-2026E | 1.7        | 31           | 1      | 16.4  | 20*                        |

\*Power cord requires 20 amp receptacle

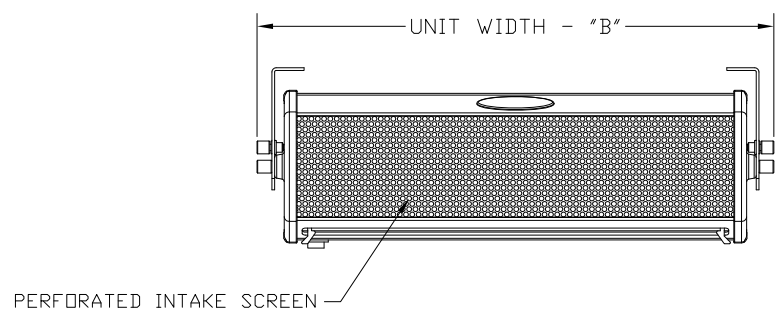
*Berner reserves the right to alter specifications without prior notice.*

# DTU03 ELECTRIC HEATED

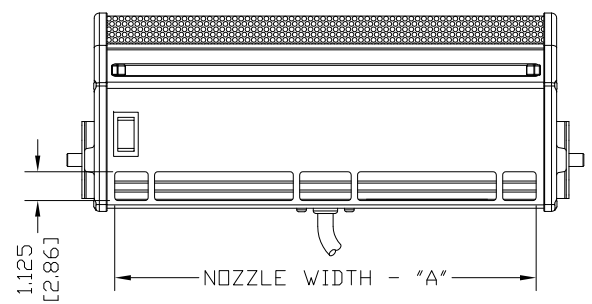
**TOP VIEW**



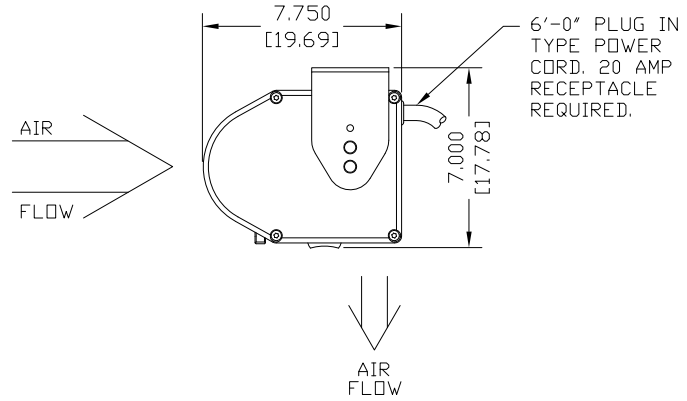
**FRONT VIEW**



**BOTTOM VIEW**



**END VIEW**



**NOTES:**

- ① AIR CURTAIN MUST BE INSTALLED SO AIR STREAM IS NOT OBSTRUCTED WHEN DEFLECTED 20° TO EITHER SIDE OF C.
- ② ELECTRICAL CONNECTIONS TO BE FLEXIBLE.
- ③ FIELD VERIFY DIMENSIONS.
- ④ ANCHORS TO SUPPORTING STRUCTURE BY OTHERS.
- ⑤ ADEQUACY OF SUPPORTING STRUCTURE IS TO BE VERIFIED BY A PROFESSIONAL STRUCTURAL ENGINEER.
- ⑥ LETTER "EA" IN MODEL DESIGNATES 120V ELECTRIC HEATED UNIT.
- ⑦ DIMENSIONS IN INCHES [CENTIMETERS].

| MODEL ⑥      | NOZZLE WIDTH "A" | UNIT WIDTH "B" | MOUNTING WIDTH "C" |
|--------------|------------------|----------------|--------------------|
| DTU03-1018EA | 16.500 [41.91]   | 20.125 [51.12] | 17.250 [43.82]     |
| DTU03-2026EA | 24.500 [62.23]   | 28.125 [71.43] | 25.250 [64.14]     |

|           |         |   |
|-----------|---------|---|
| PROJECT   |         |   |
| LOCATION  |         |   |
| ARCHITECT |         |   |
| ENGINEER  |         |   |
| DWG. NO.  | DTU03-E | TITLE: <b>BERNER</b>                          |
| DATE      | 21MAY14 | MODEL DTU03 AIR CURTAIN                       |
| BY        | S. Beil | ELECTRIC HEATED SYSTEM                        |
| REPLACES  | -       | BERNER INTERNATIONAL CORP.<br>NEW CASTLE, PA. |
| BY        | -       |   |
| PDF NO.   |         |   |