

## Camtainer® Insulated Containers

Models 500LCD 5 gallon (18,9 L)  
1000LCD 10 gallon (37,9 L)

### Features & Benefits



- Attractive design is perfect for front-of-the-house hot and cold beverage service. Stacks easily for storage and transportation.
- Serving capacity:
  - Model 500LCD - 91 each 7 oz. (210 mL) cups
  - Model 1000LCD - 182 each 7 oz. (210 mL) cups
- Single-molded, seamless, double-wall, high-density, polyethylene construction is highly durable, dishwasher safe and resists dings and dents. Textured exterior is scratch-resistant.
- Polyurethane foam insulation provides excellent hot or cold temperature retention for hours. Hot beverages remain hot without the need for a costly external heating source.
- Molded-in handles offer comfortable easy transporting.
- Recessed plastic latches will not rust or corrode and are protected from being hit or damaged. Molded-in mount plates prevent latches from pulling out.
- Drip proof recessed spigot allows for convenient access. Optional Easy Serve Dispenser lever attaches easily and offers easy and even beverage dispensing.
- Raised edge, spill proof rim prevents spills and leaks during transport.
- Vent cap on all models helps to equalize pressure and release steam.
- Self-adhesive beverage labels included for quick identification of contents.
- Optional Condiment Holder and Riser available for both models.
- Optional Camdollies® offer easy transporting.
- Non-electrical.
- No assembly required.
- Available in 10 colors.

Item No. \_\_\_\_\_

Specifier Identification No. \_\_\_\_\_

Model No. \_\_\_\_\_

Quantity \_\_\_\_\_



**1000LCD**  
(Shown with Riser)

**500LCD**  
(Shown with  
Condiment Holder  
and Riser)

**250LCD**  
(See pg. 2)

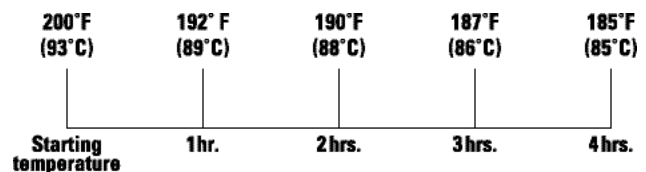


Easy Serve Dispenser



Spill Proof Rim and Molded-in Handle.

"Camtainers Keep Beverages Hot for Hours!"



### Approvals



# Camtainer® Insulated Containers

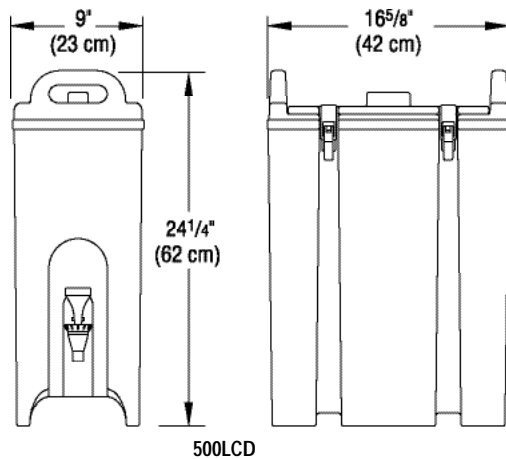
Models 500LCD 5 gallon (18,9 L)  
1000LCD 10 gallon (37,9 L)

Item No. \_\_\_\_\_

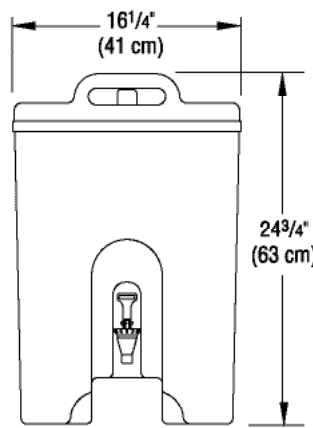
Specifier Identification No. \_\_\_\_\_

Model No. \_\_\_\_\_

Quantity \_\_\_\_\_



500LCD



1000LCD

## Specifications

Dimension Tolerance: +/- 1/4" (0,64 cm)

Code	Description	Total Capacity	Serving Capacity 7oz. (210 mL) cups	Dimensions W x D x H	Case lbs./cube Kg./m <sup>3</sup>
500LCD	Camtainer	5 gal. (18,9 L)	91	9" x 16 5/8" x 24 1/4" (23 x 42 x 62 cm)	16 (2,24) 7,5 (0,06)
1000LCD	Camtainer	10 gal. (37,9 L)	182	16 1/4" x 20 1/16" x 24 3/4" (41 x 53 x 63 cm)	29,75 (5,31) 13,6 (0,14)

## Optional Accessories

- Easy Serve Dispenser  LCDES
- Riser  R500LCD fits 500LCD  
 R1000LCD fits 1000LCD
- Condiment Holder  LCDCH fits 500LCD  
 LCDCH10 fits 1000LCD
- Camdolly™  CD100  CD100H fits 500LCD  
 CD100HB fits 500LCD  
 CD300  CD300H fits 1000LCD  
 CD300HB fits 1000LCD

## Standard Colors

- Dusty Rose (400)
- Cold Blue (159)
- Brick Red (402)
- Hot Red (158)
- Navy Blue (186)
- Coffee Beige (157)
- Green (519)
- Slate Blue (401)
- Dark Brown (131)
- Black (110)

## Architect Specs

The portable, non-electrical hot and cold beverage containers/server shall be a Camtainer Insulated Container, Models..., manufactured by Cambro Mfg. Co., Huntington Beach, CA 92648 U.S.A. It shall be made of one-piece, seamless, double-wall polyethylene and foam-injected polyurethane. It shall have a raised edge, spill-proof rim. It shall have a vent cap to help equalize pressure and release steam. It shall have durable, plastic latches on recessed, molded-in mounting plates. It shall have molded-in handles. It shall have a drip proof, recessed serving spigot designed with easy finger adjustment. It shall have the option of an Easy Serve Dispenser lever. It shall have self-adhesive beverage labels to use for quick product identification. It shall have an optional Condiment Holder and Riser. It shall require no assembly and shall be available in 10 colors.

## Approvals



© 2002 Cambro Manufacturing Company 5801 Skylab Road, Huntington Beach, California 92647-2056-U.S.A.  
Telephone (1)714 848 1555 Toll Free 800 854 7631 Customer Service Hot Line 800 833 3003

Printed in USA

# INSULATED BEVERAGE SERVERS



## Camtainers®

The standard for many caterers. Four sturdy plastic latches on each unit open and close easily and will never rust.



CODE	100LCD	250LCD	500LCD	1000LCD	350LCD (SOUP)
<b>CAPACITY</b>	1½ gal.	2½ gal.	4¾ gal.	11¼ gal.	3⅝ gal.
<b>7 OZ. CUPS</b>	27	45	86	214	61
<b>SPIGOT</b>	YES	YES	YES	YES	—
<b>EXTERIOR DIM. W x D x H</b>	10⅝" x 11½" x 17¼"	9" x 16½" x 18⅝"	9" x 16½" x 24¼"	16¼" x 20¾" x 24¼"	9" x 16½" x 18⅝"
<b>FITS CAMDOLLY®</b>	CD1420	CD100H, CD1826H, CD300H, CD2020H, CD100HB, CD300HB, CD1826HB, CD2020HB, CD100, CD2020	CD100H, CD1826H, CD300H, CD2020H, CD100HB, CD300HB, CD1826HB, CD2020HB, CD100, CD2020	CD300H, CD1826H, CD2020H, CD100HB, CD300HB, CD1826MTCHB, CD300, CD2020	CD100H, CD1826H, CD300H, CD2020H, CD100HB, CD300HB, CD1826HB, CD2020HB, CD100, CD2020
<b>LIST PRICE EACH</b>	\$	\$	\$	\$	\$
<b>CAMTAINER COVER</b>	—	250LDCVCR: \$	500LDCVCR: \$	1000LDCVCR: \$	—

**Case Pack:** 1 **Colors:** Navy Blue (186), Slate Blue (401), Coffee Beige (157), Dark Brown (131), Brick Red (402), Kentucky Green (519), Black (110), Hot Red (158). **InStock Colors:** Dark Brown (131), Black (110). **Cover Color:** Black (110). Venting plug is covered by US Patent D 553,717 S.

## Ultra Camtainers®

A contemporary line, featuring two wide nylon latches per unit that are easy to open and close.



CODE	UC250	UC500	UC1000
<b>CAPACITY</b>	2¾ gal.	5¼ gal.	10½ gal.
<b>7 OZ. CUPS</b>	50	96	192
<b>EXTERIOR DIM. W x D x H</b>	11¾" x 16¾" x 19¾"	11¾" x 16¾" x 26⅝"	16¼" x 20½" x 25¾"
<b>FITS CAMDOLLY</b>	CD100H, CD1826H, CD300H, CD100HB, CD300HB, CD100	CD100H, CD1826H, CD300H, CD100HB, CD300HB, CD100	CD300H, CD1826H, CD2020H, CD100HB, CD300HB, CD1826MTCHB, CD300, CD2020
<b>LIST PRICE EACH</b>	\$	\$	\$
<b>CAMTAINER COVER</b>	UC250CVR: \$	UC500CVR: \$	UC1000CVR: \$

**Case Pack:** 1 **Colors:** Navy Blue (186), Slate Blue (401), Coffee Beige (157), Dark Brown (131), Brick Red (402), Kentucky Green (519), Black (110), Granite Gray (191), Granite Green (192), Granite Sand (194). **InStock Colors:** Dark Brown (131), Black (110), Granite Gray (191). Venting plug is covered by US Patent D 553,717 S. **Cover Color:** Black (110).

## Camserver®

- A front-of-house beverage server for hot or cold beverages that does not require canned heating.
- Double-wall polyethylene shell with thick foam insulation retains temperatures for hours.

**Colors:** Black (110), Dark Taupe (417), Granite Gray (191).



Convenient top-fill opening for fast replenishment without removing lid.

CSR3  
Shown in  
Dark Taupe.



CSR5  
Shown in Black.

Height is approximately 7"  
from counter to spigot.

CODE	OVERALL DIMENSIONS W x D x H	CAPACITY	7 OZ. CUPS	LIST PRICE EA.
CSR3	13¼" x 18¼" x 23½"	3 gal.	54	\$
CSR5	13¼" x 18¼" x 28"	5	91	

**Case Pack:** 1