

Dish Caddies

For 5³/₄" , 7" , 8¹/₄" (14,6, 18, 21 cm) Plates

Models DC575

DC700 (No photo shown)

DC825



Features & Benefits

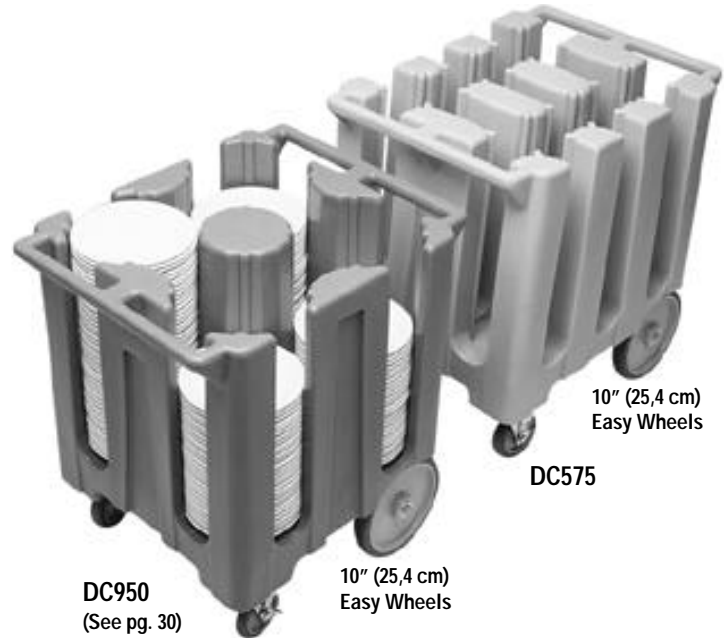
- Each model protects and stores one size of plate, ranging in size from 5³/₄" - 8¹/₄" (14,6 - 21 cm).
- Each column is approx. 20¹/₂" (52 cm) deep and stacking capacity is approx. 45 - 60 plates per column. Six column models hold approx. 270 - 360 plates and four column models hold approx. 180 - 240 plates.
 - Model DC575 (6 columns)
Holds 5³/₄" (14,6 cm) size plates
 - Model DC700 (6 columns)
Holds 7" (18 cm) size plates
 - Model DC825 (4 columns)
Holds 8¹/₄" (21 cm) size plates
- Impact resistant and shock absorbent to protect valuable plates against breakage and chipped edges.
- Poker chip style offers greater access for easy plate removal.
- One-piece seamless double-wall, high-density polyethylene construction is extremely durable and reliable. Won't dent, crack, bubble, chip and break.
- Foamed in-place polyurethane core adds structural strength and reduces noise.
- Rounded corners add extra safety feature for employee handling and protect walls, furniture and other equipment during transportation.
- Molded-in handles on both ends offer sturdy and controlled handling. Will not bend or break.
- Two each 5" (12,7 cm) swivel casters w/ brakes and 2 each 10" (25,4 cm) Easy Wheels offer smooth and easy transport across floors or carpet.
- Vinyl cover included for sanitary storage. (It is not NSF listed.)
- No assembly required.
- Available in 9 colors.

Item No. _____

Specifier Identification No. _____

Model No. _____

Quantity _____



DC950
(See pg. 30)

10" (25,4 cm)
Easy Wheels

10" (25,4 cm)
Easy Wheels

DC575



Dish Caddy with
Vinyl Cover

Approvals



Dish Caddies

For 5³/₄" , 7" , 8¹/₄" (14,6, 18, 21 cm) Plates

Models DC575

DC700 (No photo shown)

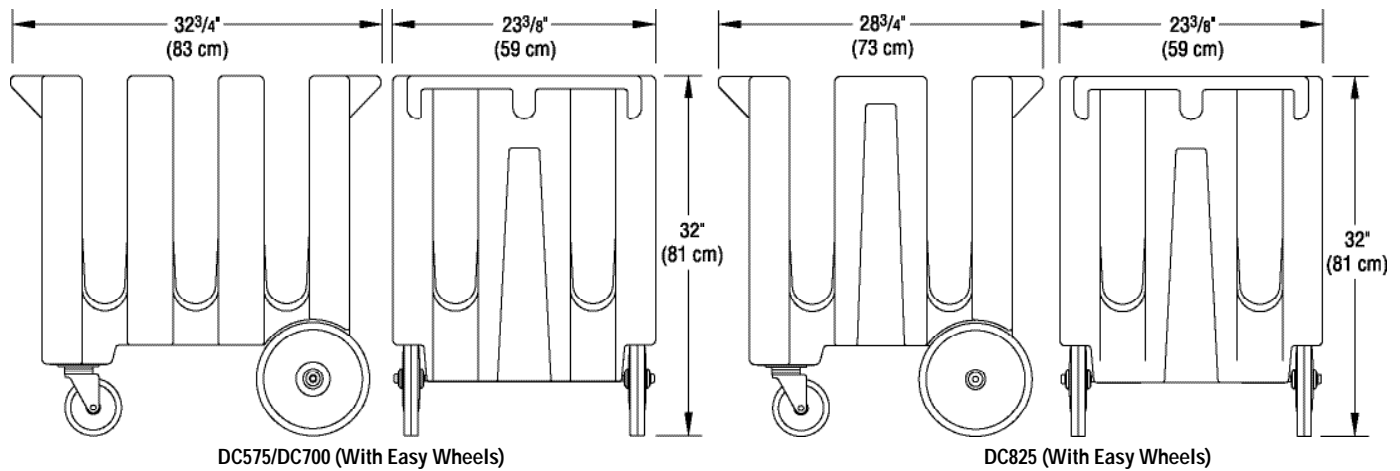
DC825

Item No. _____

Specifier Identification No. _____

Model No. _____

Quantity _____



DC575/DC700 (With Easy Wheels)

DC825 (With Easy Wheels)

Specifications

Dimension Tolerance: +/- 1/4" (0,64 cm)

Code	Description	Plate Size	Columns Per Caddy	Approx. Depth Per Column	Max. Stacking Height Per Column	Dimensions L x W x H	Case lbs./cube Kg/m ³
DC575	Dish Caddy	Holds 5 ³ / ₄ " (14,6 cm)	6	20 ¹ / ₂ " (52 cm)	Approx. 45-60 plates	32 ³ / ₄ " x 23 ³ / ₈ " x 32" (83x 59 x 81 cm)	64 (14,59) 29 (0,41)
DC700	Dish Caddy	Holds 7" (18 cm)	6	20 ¹ / ₂ " (52 cm)	Approx. 45-60 plates	32 ³ / ₄ " x 23 ³ / ₈ " x 32" (83x 59 x 81 cm)	64 (14,59) 29 (0,41)
DC825	Dish Caddy	Holds 8 ¹ / ₄ " (21 cm)	4	20 ¹ / ₂ " (52 cm)	Approx. 45-60 plates	28 ³ / ₄ " x 23 ³ / ₈ " x 32" (73 x 59 x 81 cm)	58 (12,82) 26,5 (0,36)

Architect Specs

The dish storage and transport cart shall be a Dish Caddy, Model..., manufactured by Cambro Mfg. Co., Huntington Beach, CA 92648 U.S.A. It shall be made of one-piece, seamless, double-wall, high-density, polyethylene and shall be injected with polyurethane foam. It shall have rounded corners and molded-in handles. It shall have 4 or 6 each 20¹/₂" (52 cm) columns and shall offer plate-stacking capacity of approx. 45-60 plates per column. It shall be available in 3 models and shall have permanent dividers designed to accommodate 5³/₄" - 8¹/₄" (14,6 - 21 cm) plates (by specific model). It shall have 2 each 5" (12,7 cm) swivel casters with brakes and 2 each 10" (25,4 cm) Easy Wheels. It shall have a vinyl cover that is not NSF listed. It shall require no assembly. It shall be available in 9 colors.

Standard Colors

- Slate Blue (401)
- Dark Brown (131)
- Coffee Beige (157)
- Gray (180)
- Brick Red (402)
- Granite Gray (191)
- Granite Green (192)
- Granite Red (193)
- Granite Sand (194)

Approvals



© 2002 Cambro Manufacturing Company 5801 Skylab Road, Huntington Beach, California 92647-2056-U.S.A.
Telephone (1)714 848 1555 Toll Free 800 854 7631 Customer Service Hot Line 800 833 3003

Printed in USA