

Versa Food Bars™ Ultra Series

5 Foot (152 cm) Models

VBRU5 - with Standard Casters

VBRUHD5 - with Heavy Duty Casters

6 Foot (183 cm) Models

VBRU6 - with Standard Casters

VBRUHD6 - with Heavy Duty Casters

Features & Benefits

- A stylish, non-electric portable food bar keeps cold food cold for hours with or without ice, using optional Buffet Camchillers® with food pans or Coldfest® Food Pans and Crock.
- Holds GN 1/1 Full or Fractional Size Food Pans up to 6" (15 cm) deep with Divider Bars.
- Sneeze Guard Side and End Panels are easy to assemble and are made from clear, durable NSF listed material. Sneeze Guard is fully compliant with current NSF requirements.
- Sneeze Guards and Optional Tray Rails fold down quickly and easily to fit through standard 36" (91,5 cm) wide doorways during transportation and to minimize storage space requirements.
- Two separate storage compartments with lockable doors provide convenient storage for non-perishable items. Each compartment holds up to 50 lbs. (22,7 kg) and measures 17 ½" W x 21 ½" D x 18" H (44,5 x 54,6 x 45,7 cm). Doors swing open from the outside to the middle for easy access from each end.
- Top merchandising shelf is 9" (22,9 cm) wide and can be used to display optional Merchandising Sign Holder for even greater visual appeal.
- Straight Connector and Corner Connector attach easily and securely to expand serving options.
- Double-wall polyethylene construction with foam injected polyurethane provides extra strength and durability. Scratch-resistant textured exterior is easy to clean and will not crack, rust, chip or break.
- NSF listed threaded faucet drain with standard hose hook-up on underside of well can be used for quick and easy draining and cleaning.
- Choose from models with 4 each 6" x 1 ¼" (15,2 x 3,2 cm) standard swivel casters with brakes or 6" x 2" (15,2 x 5 cm) heavy duty swivel casters with brakes.
- Molded-in handle on each end offers stable maneuverability.
- Non-electrical.
- Only sneeze guards and optional accessories require assembly.
- Available in 5 colors.
- Optional accessories include, Tray Rails, End Table, Straight and Corner Connectors, Buffet Camchiller, Well Cover, Divider Bars, GN Food Pans, Coldfest Crock and Pans, Pumps, Crock and Salad Bowl Holders, Merchandising Sign Holder, LED Light, and Vinyl Cover.
- Food Bar set-up guides and best practices are available at www.cambro.com/schools.

Item No. _____

Specifier Identification No. _____

Model No. _____

Quantity _____



VBRU6



Approvals



Versa Food Bars™ Ultra Series

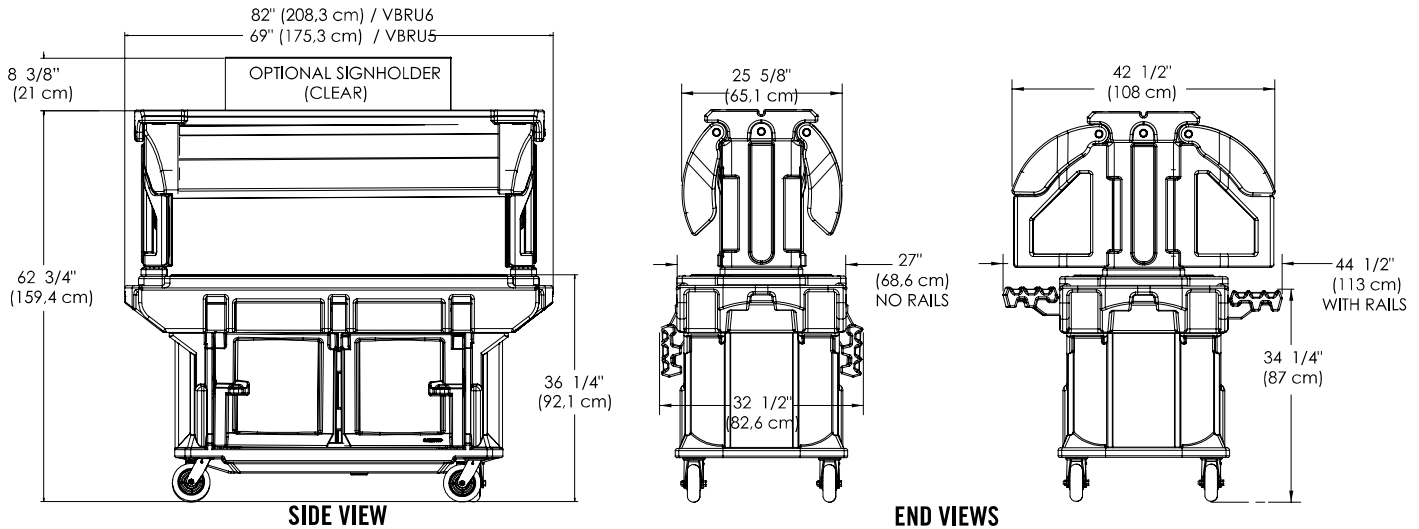
Models - VBRU5, VBRUHD5, VBRU6, VBRUHD6

Item No. _____

Specifier Identification No. _____

Model No. _____

Quantity _____



Specifications Dimension Tolerance: +/- 1/4" (0,64 cm)

Code	Description	GN 1/1 Full Size Food Pan Capacity	Exterior Dimensions (w/Sneeze Guard) L x W x H	Case lbs./ cube Kg/m ³
VBRU5	5 Foot (152 cm) Food Bar – Standard Casters	4	69" x 42 1/2" x 62 3/4" (175,3 x 108 x 159,4 cm)	260 lbs (58,5) 117,9 Kg (1,66 m ³)
VBRUHD5	5 Foot (152 cm) Food Bar – Heavy Duty Casters	4	69" x 42 1/2" x 62 3/4" (175,3 x 108 x 159,4 cm)	269,5 lbs (58,5) 122,2 Kg (1,66 m ³)
VBRU6	6 Foot (183 cm) Food Bar – Standard Casters	5	82" x 42 1/2" x 62 3/4" (208,3 x 108 x 159,4 cm)	274 lbs (75) 124,3 Kg (2,12 m ³)
VBRUHD6	6 Foot (183 cm) Food Bar – Heavy Duty Casters	5	82" x 42 1/2" x 62 3/4" (208,3 x 108 x 159,4 cm)	283,5 lbs (75) 128,6 Kg (2,12 m ³)

Optional Accessories

Tray Rails

- VBRR5 - 5' (152 cm) Versa Food Bars/ Work Tables
- VBRR6 - 6' (183 cm) Versa Food Bars/ Work Tables

Crock and Salad Bowl Holders

- CPH3 - Fits all Versa Food Bars / Work Tables and holds 3 Crocks
- SBH15 - Holds 15" (38 cm) Bowl and 3 Crocks
- SBH18 - Holds 18" (46 cm) Bowl

Connectors and Well Covers

- VBRC90 - Corner Connector
- VBRC - Straight Connector
- VBRWC - Versa Well Cover

Other Accessories

- CPB1220 - Buffet Camchiller®
- VBRTBL - End Table For All Versa Food Bars /Work Tables
- LED54LIGHTPKG - Versa Food Bar Lighting Kit

Divider Bars

- DIV12 - 12" (30,5 cm)
- DIV20 - 20" (50,8 cm)

Merchandising Sign Display

- VBRSHTS - Versa Food Bar Top Shelf Sign Holder

Vinyl Covers

- VBRCVR5 - Versa Food Bars 5' (152 CM)
- VBRCVR6 - Versa Food Bars 6' (183 CM)

Visit www.cambro.com for details on all accessories.

Architect Specs

The non-electric, portable and modular Versa Food Bar – ULTRA SERIES, shall be a Floor Model Food Bar, Models VBRU5, VBRU6, VBRUHD5, VBRUHD6, manufactured by Cambro Mfg. Co., Huntington Beach, CA 92647 USA. It shall be made of double-wall polyethylene with foam-injected polyurethane. It shall include a clear sneeze guard with clear protective end panels. The interior well shall be 6 1/2" (16,5 cm) deep. The sneeze guard and optional tray rails shall fold down to fit through 36" (91,5 cm) wide doorways and to minimize storage space requirements during non-use. It shall have a 9" (22,9 cm) wide merchandising shelf. It shall have molded-in handles on each end. It shall have 2 separate storage compartments with lockable doors that swing open from the outside to the middle. It shall have 4 each 6" x 1 1/4" (15,2 x 3,2 cm) swivel casters with brakes or heavy duty 6" x 2" (15,2 x 5 cm) swivel casters with brakes. It shall have an NSF listed threaded faucet drain with a standard hose hook up on the underside of the well. It shall be NSF listed and available in 5 colors. It shall require minimal assembly. It shall connect with other standard height Versa Food Bars, Versa Work Tables and/or Versa Carts using an optional Corner Connector or Straight Connector. Optional accessories shall include Tray Rails, End Table, Straight and Corner Connectors, Buffet Camchiller®, Well Cover, Divider Bars, GN Food Pans, Coldfest® Crocks and Pans, Pumps, Crocks and Salad Bowl Holders, Merchandising Sign Holder, LED Light, and Vinyl Cover.

Versa Food Bar Colors

- Black (110)
- Kentucky Green (519)*
- Hot Red (158)*
- Bronze (146)*
- Navy Blue (186)*

*Made to order. Non-returnable.

Approvals

