



Camshelving® Ultimate Sheet Pan Racks

Half Size Racks

3" (7,6 cm) Rail Spacing

Hold 12 each 18 x 26 or 24 each 13 x 18 Sheet Pans

1½" (3,8 cm) Rail Spacing

Hold 20 each 18 x 26 or 40 each 13 x 18 Sheet Pans

Undercounter Racks

3" (7,6 cm) Rail Spacing

Hold 8 each 18 x 26 or 16 each 13 x 18 Sheet Pans

1½" (3,8 cm) Rail Spacing

Hold 15 each 18 x 26 or 30 each 13 x 18 Sheet Pans

Features & Benefits

- Mobile, multi-purpose, end load racks for holding, storing and transporting 18 x 26 or 13 x 18 Sheet Pans and 14 x 18 Meal Delivery Trays. Ideal for use in commercial and non-commercial kitchens.
- Moves easily between freezer (plastic caster units only), cooler and proofer, and holds hot pans from 350°F (177°C) oven.
- Choose from 3" (7,6 cm) or 1½" (3,8 cm) rail spacing. Wide rail spacing offers greatest versatility and ease of use. Narrow rail spacing best for high volume baking or cooking.
- Sheet pan holding capacity:
 - Half Size Rack
 - 1½" (3,8 cm) Rail Spacing: 20 each 18 x 26 or 40 each 13 x 18
 - 3" (7,6 cm) Rail Spacing: 12 each 18 x 26 or 24 each 13 x 18
 - Undercounter Rack
 - 1½" (3,8 cm) Rail Spacing: 15 each 18 x 26 or 30 each 13 x 18
 - 3" (7,6 cm) Rail Spacing: 8 each 18 x 26 or 16 each 13 x 18
- Unit weight bearing capacity is 175 lbs. (79 kg) for Half Size, and 90 lbs. (41 kg) for Undercounter. Weight bearing per rail set is 55 lbs (25 kg).
- Made from highly durable, 100% composite plastic material components with lifetime warranty against rust and corrosion. Easy to wipe clean. No metal, crossbars, screws or welds.
- Molded-in rails are bottom load only and feature unique raised ribs for quicker cooling and thawing.
- Positioning ribs on each rail end are slightly raised to keep sheet pans/trays centered.
- Top frame features molded in supports to hold a single 18 x 26 Sheet Pan flat for light duty prep or service and/or to protect rack contents below.

Project _____

Item No. _____

Model No. _____

Quantity _____



UPR1826H12 with 3" (7,6 cm) Rail Spacing and 5" (12,7 cm) Metal Casters



UPR1826HP20 with 1½" (3,8 cm) Rail Spacing and 5" (12,7 cm) Plastic Casters



UPR1826U8 with 3" (7,6 cm) Rail Spacing and 3" (7,6 cm) Metal Casters



UPR1826U15 with 1½" (3,8 cm) Rail Spacing and 3" (7,6 cm) Metal Casters

- Caster options:
 - Four each 5" (12,7 cm) or 3" (7,6 cm) custom metal (zinc plated) swivel casters with center stem design for improved stability and maneuverability over uneven surfaces. Non-marking polyurethane wheel. 2 with brake, 2 without brake. Not intended for use in freezers.
 - Four each 5" (12,7 cm) premium plastic swivel casters with total locking brake that locks both swivel and wheel. Non-marking thermoplastic rubber wheel. Rust and corrosion free.
- Components are easy to remove and replace if damaged, ensuring a lifetime of service.
- Ships knockdown with minimal assembly required.
- Available in 1 color only – Brushed Graphite (580).

Approvals



COMPONENT



Information and specifications are subject to change without notice. Please confirm at time of order.

© Cambro Manufacturing Company 5801 Skylab Road, Huntington Beach, California 92647-2056, U.S.A.

Telephone 714 848 1555 Toll Free 800 854 7631 Customer Service 800 833 3003 Email: customerservice@cambro.com

Printed in USA. 11/18

Camshelving® Ultimate Sheet Pan Racks

Project _____

Item No. _____

Model No. _____

Quantity _____

Half Size Racks

3" (7,6 cm) Rail Spacing

Hold 12 each 18 x 26 or 24 each 13 x 18 Sheet Pans

1½" (3,8 cm) Rail Spacing

Hold 20 each 18 x 26 or 40 each 13 x 18 Sheet Pans

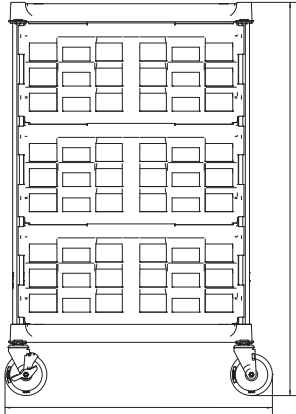
Undercounter Racks

3" (7,6 cm) Rail Spacing

Hold 8 each 18 x 26 or 16 each 13 x 18 Sheet Pans

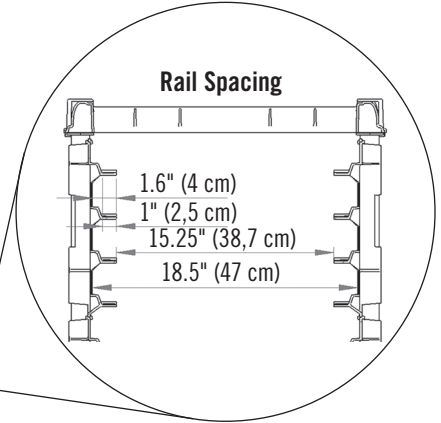
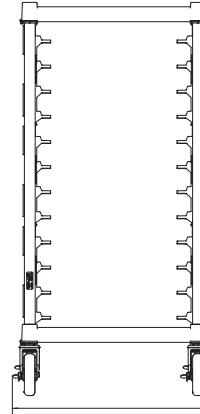
1½" (3,8 cm) Rail Spacing

Hold 15 each 18 x 26 or 30 each 13 x 18 Sheet Pans



Half Size Racks with 3" (7,6 cm) Rail Spacing		Half Size Racks with 1½" (3,8 cm) Rail Spacing	
Metal Casters	Plastic Casters	Metal Casters	Plastic Casters
47.5"	47.75"	41.5"	41.38"
47 ½"	47 ¾"	41 ½"	47 ⅜"
(120,6 cm)	(121,3 cm)	(105,4 cm)	(105,1 cm)

Undercounter Racks	
UPR1826U8 with 3" (7,6 cm) Rail Spacing	UPR1826U15 with 1½" (3,8 cm) Rail Spacing
33.13"	31.5"
33 ⅞"	31 ½"
(84,1 cm)	(80 cm)



Half Size Racks	
Metal Casters	Plastic Casters
32.06"	33.38"
32 ⅙"	33 ½"
(81,4 cm)	(84,8 cm)

Undercounter Racks
30.87"
30 ⅞"
(78,4 cm)

Half Size Racks	
Metal Casters	Plastic Casters
25.5"	25.44"
25 ½"	25 ⅙"
(64,8 cm)	(64,6 cm)

Undercounter Racks
23.25"
23 ¼"
(59,1 cm)

Specifications

With 3" (7,6 cm) Rail Spacing

Model	Size	Caster Type	Dimensions (L x W x H)	Unit Weight
UPR1826H12	Half Size	Metal	32.06" x 25.5" x 47.5" (81,4 x 64,8 x 120,6 cm)	38 lbs (17,3 kg)
UPR1826HP12	Half Size	Plastic	33.38" x 25.44" x 47.75" (84,8 x 64,6 x 121,3 cm)	33 lbs (15 kg)
UPR1826U8	Undercounter	Metal	30.87" x 23.25" x 33.13" (78,4 x 59,1 x 84,1 cm)	27 lbs (12,3 kg)

With 1.5" (3,8 cm) Rail Spacing

Model	Size	Caster Type	Dimensions (L x W x H)	Unit Weight
UPR1826H20	Half Size	Metal	32.06" x 25.5" x 41.5" (81,4 x 64,8 x 105,4 cm)	39.8 lbs (18,1 kg)
UPR1826HP20	Half Size	Plastic	33.38" x 25.44" x 41.38" (84,8 x 64,6 x 105,1 cm)	34.75 lbs (15,8 kg)
UPR1826U15	Undercounter	Metal	30.87" x 23.25" x 31.5" (78,4 x 59,1 x 80 cm)	30 lbs (13,6 kg)

Architect Specs

Mobile Posts: Proprietary non-corrosive composite material.
 Post Connector Frames: Reinforced nylon.
 Rail Panels: Reinforced polypropylene.
 Post Connector Frame Wedges: Reinforced polypropylene.
 Casters: Zinc plated frame with centered metal stem, non-marking polyurethane wheel with brake or no brake. Plastic nylon frame with metal stem, non-marking thermoplastic rubber wheel with total locking brake to stop motion and swivel.

Approvals



COMPONENT



Information and specifications are subject to change without notice. Please confirm at time of order.
 © Cambro Manufacturing Company 5801 Skylab Road, Huntington Beach, California 92647-2056, U.S.A.
Telephone 714 848 1555 **Toll Free** 800 854 7631 **Customer Service** 800 833 3003 **Email:** customerservice@cambro.com
 Printed in USA. 11/18

CSUPR2

D1018155