



Camshelving® Elements Series

High Density Track Kits for Elements High Density Mobile Units

10' Track Kit for 3 Mobile Units

120" (3048 mm)

12' Track Kit for 4 Mobile Units

144" (3660 mm)

14.5' Track Kit for 5 Mobile Units

174" (4420 mm)



- **High Density Track Kit Includes:**
Raised Track, Stainless Steel Leveling Feet and all necessary hardware for installation

Item No. _____

Specifier Identification No. _____

Model No. _____

Quantity _____



No Bonding with Glue or Drilling Required

Stationary

Features & Benefits

Increases Storage Capacity up to 40%

Maximize storage capacity by eliminating aisles and utilizing all available space. Ideal for operations with limited space or that need to use their space more efficiently. Floor track system provides safe and easy access to stored product. Heavy weight loads roll securely on raised floor track.

Strong Technology

Maximum weight-bearing capacity of 900 pounds (409 Kg) per Mobile Unit.

Hygienic Design

Raised track ensures dirt will not get trapped, and is easy to clean.

Requires Minimal Assembly

Minimal assembly required, no bolts or drilling necessary.

Flexible Design

Install track system on any type of surface, including tile and uneven floors. Secure into place with a Stationary Starter Unit at each end. Grooved casters roll easily and securely on raised track and can be used on any surface, including tile and choppy floors.



Raised Floor Track



Grooved Caster on Track



© Cambro Manufacturing Company 5801 Skylab Road, Huntington Beach, CA 92647-2056, U.S.A.

Telephone 714 848 1555

Toll Free 800 854 7631

Customer Service Department 800 833 3003

Camshelving® Elements Series

High Density Track Kits for Elements High Density Mobile Units

10' Track Kit for 3 Mobile Units
120" (3048 mm)

12' Track Kit for 4 Mobile Units
144" (3660 mm)

14.5' Track Kit for 5 Mobile Units
174" (4420 mm)

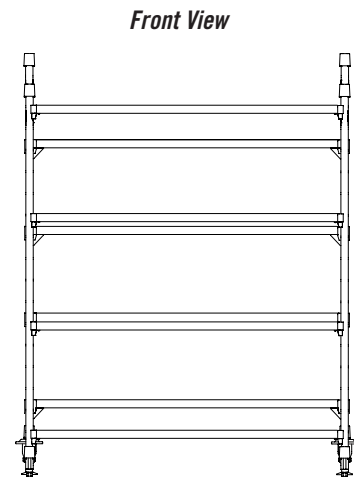
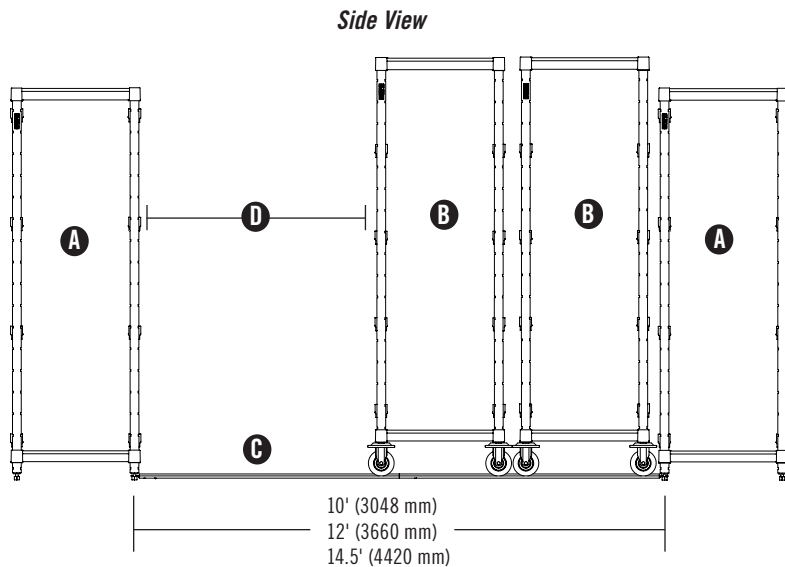
- **High Density Track Kit Includes:**
Raised Track, Stainless Steel Leveling Feet and all necessary hardware for installation

Item No. _____

Specifier Identification No. _____

Model No. _____

Quantity _____



- | | |
|----------|------------------|
| A | Stationary Units |
| B | Mobile Units |
| C | Track |
| D | Active Aisle |



Raised Floor Track



Grooved Caster on Track

Track Kits

CODE	DESCRIPTION	LENGTH	CASE LBS. / CUBE KG. / M ³
CSHDTK10	10' Track Kit for 3 Mobile Units	10' (3048 mm)	23.4 (0.34) 10,62 (0,01)
CSHDTK12	12' Track Kit for 4 Mobile Units	12' (3660 mm)	27.20 (0.40) 12,34 (0,01)
CSHDTK145	14.5' Track Kit for 5 Mobile Units	14.5' (4420 mm)	32.33 (0.46) 14,67 (0,01)

Architect Specs

The Camshelving® Elements Series High Density Track Kits shall be Model CSHDTK10, CSHDTK12 or CSHDTK145, manufactured by Cambro Mfg. Co., Huntington Beach, CA 92647 U.S.A. Each track kit shall include aluminum raised floor track plus stainless steel joiners, stationary end plates, pan head screws, star washers, 1/2" (12,7mm) hex nuts and leveling feet required to complete the specified track length per kit. The track kits shall be offered to make three lengths - 10' (3048mm), 12' (3660mm) and 14.5' (4420mm). Each set of raised track must be secured at both ends with a Camshelving or Elements Series Stationary Unit. The track kit shall require minimal assembly and shall not require any floor drilling and/or bolting into the floor.