



Parts List

EF1A-FS

TABLE OF CONTENTS

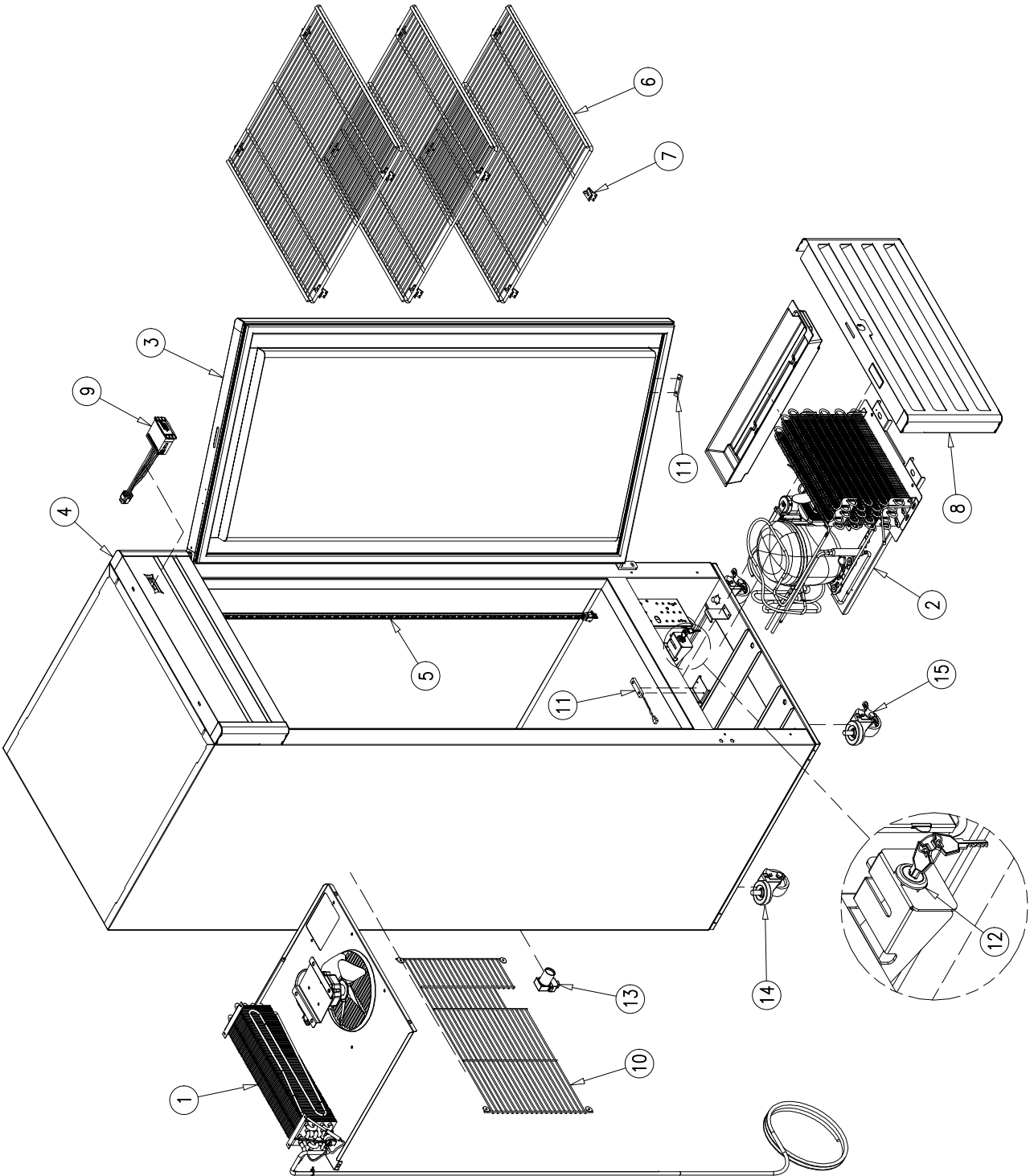
MAIN ASSEMBLY	3
EVAPORATOR ASSEMBLY	5
CONDENSING UNIT ASSEMBLY	7
DOOR ASSEMBLY	9
LIGHTING SYSTEM	11

NOTE:

To order spare parts, always include the following information:

- *Model Number* _____
- *Serial Number* _____

MAIN ASSEMBLY



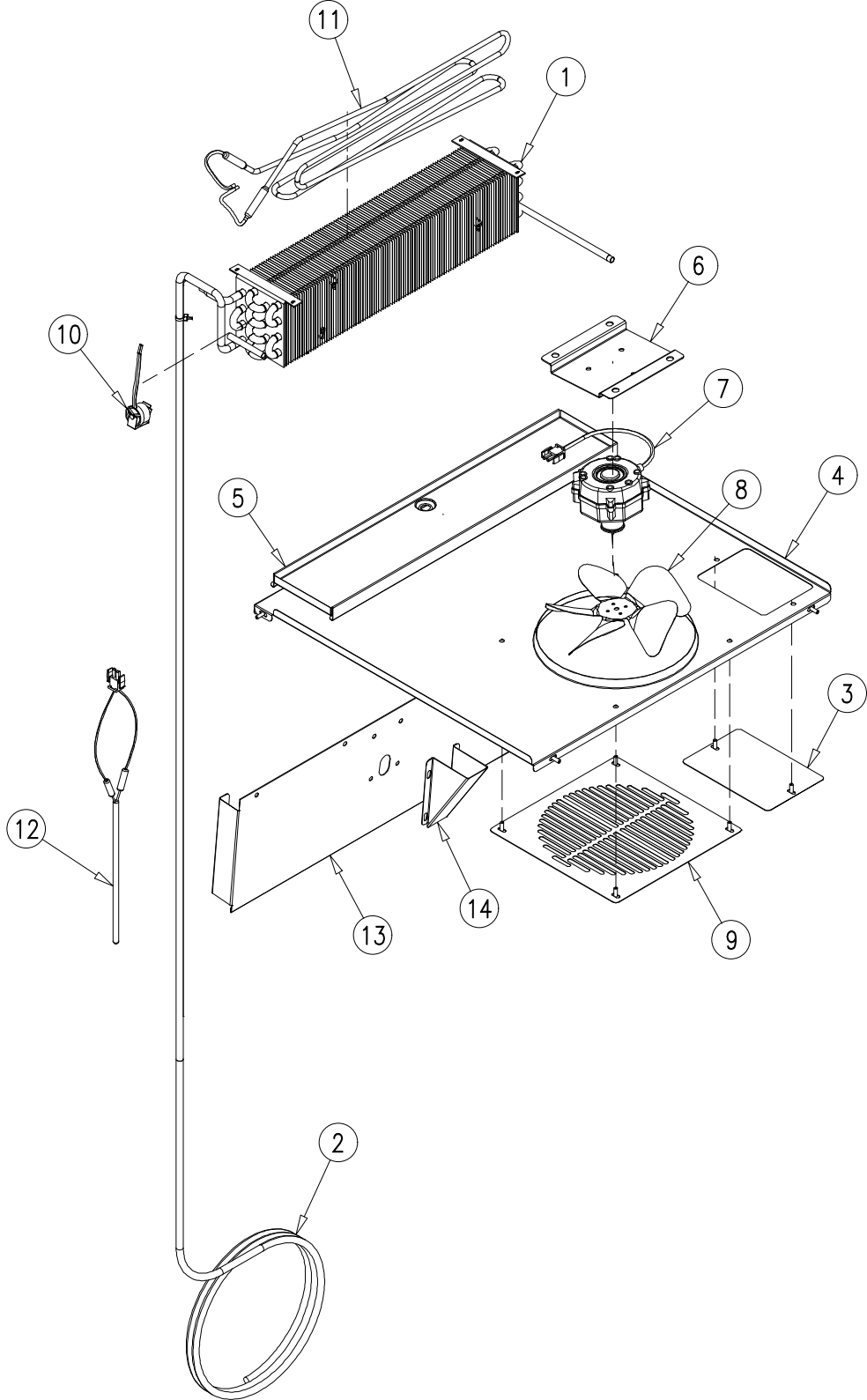
MAIN ASSEMBLY

<i>Item No.</i>	<i>Description</i>	<i>Part No.</i>	<i>Quantity per cooler</i>
1	EVAPORATOR ASSEMBLY	OT-EV-0214	1
2	CONDENSING UNIT ASSEMBLY	OT-UN-0082	1
3	RIGHT DOOR ASSEMBLY	OT-PTA-0241-R	1
4	HEADER SIGN	OT-RT-0217	1
5	PILASTER (48")	PI-5	4
6	FLAT SHELF	SH-0427-HD-GR	3
7	SHELF CLIPS	CL-51-SS-E	12
8	FRONT GRILL	OT-CM-0285	1
9	CONTROL MODULE (XR07CH)	CT-69-DI-142	1
10	BACK GRILL	SH-0561-G-GR	1
11	DOOR SWITCH	EL-306	1
12	KEY SET	HA-471-G	1
13	PRESSURE RELIEF VALVE	VA-110*	1
14	BACK NON-LOCKING CASTER	CA-4	2
15	FRONT LOCKING CASTER	CA-4-BR	2

*Parts Change With Serial Number Break

ITEM No.	Description	Interchangeable	Previous Component	Hoshizaki Last Serial Number and Earlier	Current Component	Hoshizaki First Serial Number and Later
9	CONTROL MODULE PARAMETERS	YES	CT-69-DI-142	L-00281(L)	CT-69-DI-142	M-00001(A)
13	PRESSURE RELIEF VALVE	NO	VA-107-V12	L-00423(H)	VA-110	L-00424(H)

EVAPORATOR ASSEMBLY



EVAPORATOR ASSEMBLY

<i>Item No.</i>	<i>Description</i>	<i>Part No.</i>	<i>Quantity per cooler</i>
1	EVAPORATOR	CO-312-EC*	1
2	HEAT EXCHANGER	OT-TUB-1198	1
3	SHROUD COVER	OT-10442	1
4	SHROUD	OT-24426*	1
5	EVAPORATOR DRAIN PAN	OT-24425*	1
6	EVAPORATOR FAN MOTOR BRACKET	OT-17087	1
7	EVAPORATOR FAN MOTOR	FA-122-SW-1800*	1
8	EVAPORATOR FAN BLADE	FA-2-SW*	1
9	FAN GUARD	OT-2395	1
10	DEFROST SAFETY THERMOSTAT	OT-CT-11-R-EM	1
11	DEFROST HEATER	OT-EL238D-CO312B*	1
12	DRAIN HEATER	EL-851-V1*	1
13	SHROUD PANEL	OT-24489*	1
14	DRAIN HOSE COVER	OT-24490*	1

*Parts Change With Serial Number Break

ITEM No.	Description	Interchangeable	Previous Component	Hoshizaki Last Serial Number and Earlier	Current Component	Hoshizaki First Serial Number and Later
1	EVAPORATOR	YES	CO-312	M-00891(F)	CO-312-EC	PENDING
4	SHROUD	YES	OT-19336	K-00317(G)	OT-24426	L-00005(C)
5	EVAPORATOR DRAIN PAN	NO	OT-17097	K-00317(G)	OT-24425	L-00005(C)
7	EVAPORATOR FAN MOTOR	YES	FA-70-SW	M-00891(F)	FA-122-SW-1800	PENDING
	EVAPORATOR FAN MOTOR	YES	FA-41	M-00002(D)	FA-70-SW	M-00001(F)
	EVAPORATOR FAN MOTOR	YES	FA-70-VU	K-00317(G)	FA-41	K-00005(C)
8	EVAPORATOR FAN BLADE	YES	FA-2-EBM	L-00598(G)	FA-2-SW	L-00005(C)
11	DEFROST HEATER	NO	EL-238-D-R290	M-00280(F)	OT-EL238D-CO312B	M-00001(D)
12	DRAIN HEATER	NO	N/A	N/A	EL-851-V1	L-00005(C)
13	SHROUD PANEL	NO	N/A	N/A	OT-24489	L-00005(C)
14	DRAIN HOSE COVER	NO	N/A	N/A	OT-24490	L-00005(C)

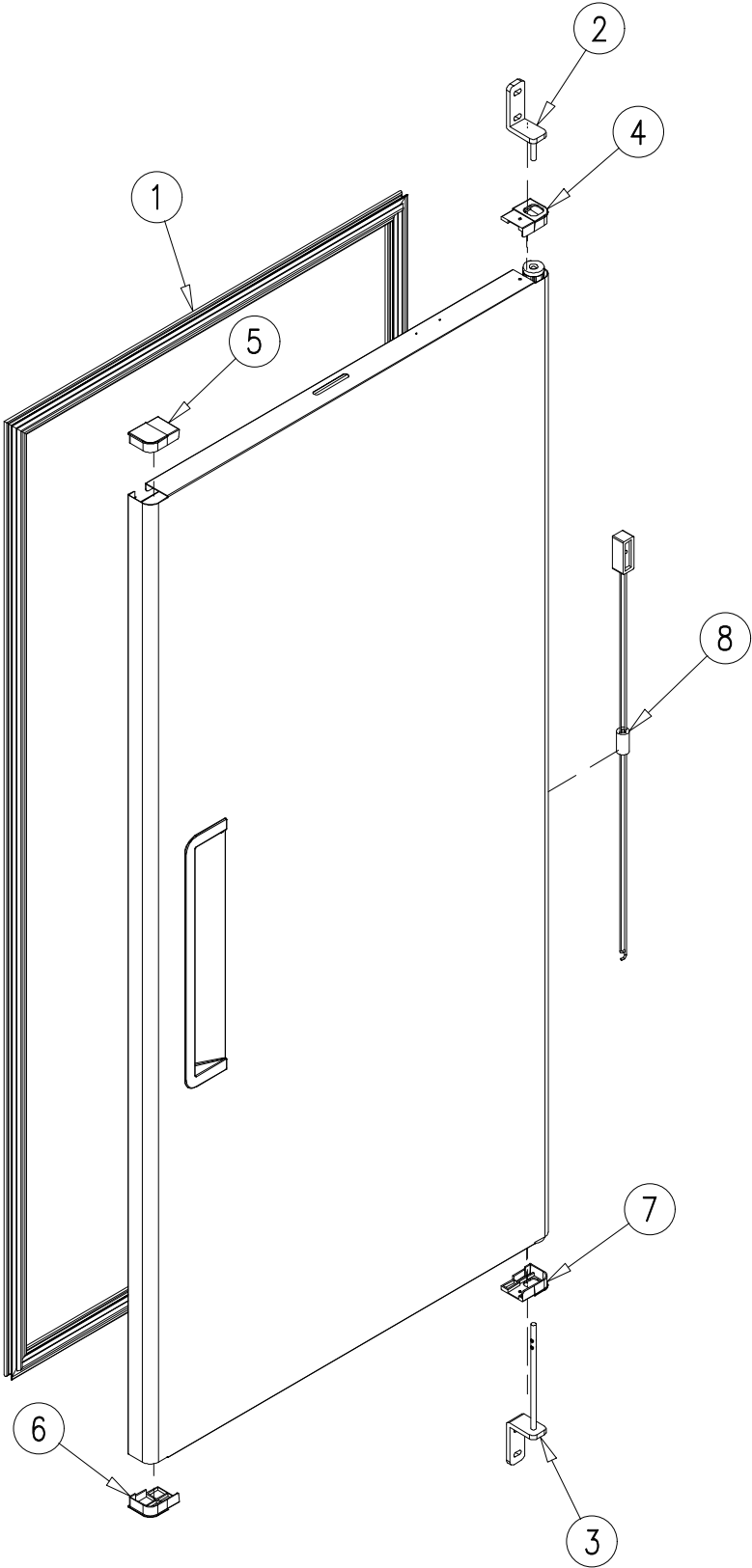
CONDENSING UNIT ASSEMBLY

<i>Item No.</i>	<i>Description</i>	<i>Part No.</i>	<i>Quantity per cooler</i>
1	COMPRESSOR (1/3HP 115-127V/60HZ R-290)	NUY90NRB	1
2	EXTERNAL PROTECTOR (T0535)	EL-2151-R	1
3	PTC RELAY (2014 180)	EL-2152-R	1
4	ELECTRICAL BOX	EL-2153-R	1
5	START CAPACITOR (150 μ F 160V)	CAP-150-160	1
6	RUN CAPACITOR (10 μ F 250V)	CAP-10-250	1
7	CONDENSER	CO-453	1
8	CONDENSER FAN MOTOR	FA-122-SW-1550*	1
9	CONDENSER FAN BLADE	FA-11-WE	1
10	CONDENSER FAN MOTOR BRACKET	FA-18	1
11	DRIER	DR-31-P	1
12	POWER CORD (9 ft)	OT-EL-1265-9-4784	1
13	OVERFLOW DRAIN PAN	OT-TF-1191	1

*Parts Change With Serial Number Break

ITEM No.	Description	Interchange-able	Previous Component	Hoshizaki Last Serial Number and Earlier	Current Component	Hoshizaki First Serial Number and Later
8	CONDENSER FAN MOTOR	YES	FA-121-SW	M00891(F)	FA-122-SW-1550	PENDING
	CONDENSER FAN MOTOR	YES	FA-41	M-00002(D)	FA-121-SW	M-00001(F)

DOOR ASSEMBLY



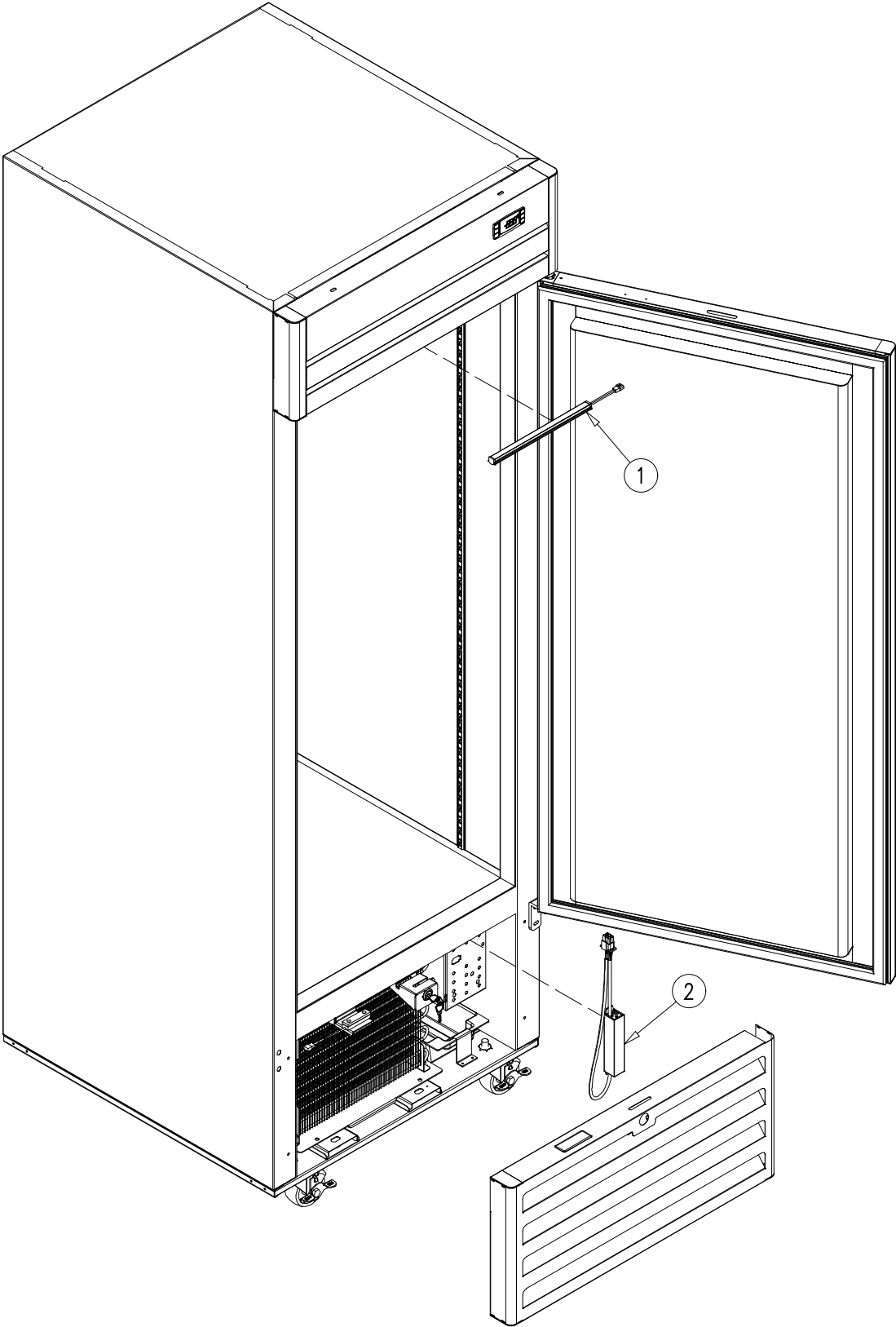
DOOR ASSEMBLY

<i>Item No.</i>	<i>Description</i>	<i>Part No.</i>	<i>Quantity per cooler</i>
1	MAGNETIC GASKET	OT-GA-500-PTA-0241*	1
2	UPPER HINGE ASSEMBLY	HA-535-R-K*	1
3	LOWER HINGE ASSEMBLY	HA-522-R-K*	1
4	UPPER RIGHT DOOR CAP	ESQ-037-A-GR	1
5	UPPER LEFT DOOR CAP	ESQ-038-A-GR	1
6	LOWER LEFT DOOR CAP	ESQ-037-B-GR	1
7	LOWER RIGHT DOOR CAP	ESQ-038-B-GR	1
8	TORSION MECHANISM	HA-479	1

***Parts Change With Serial Number Break**

ITEM No.	Description	Inter-changeable	Previous Component	Hoshizaki Last Serial Number and Earlier	Current Component	Hoshizaki First Serial Number and Later
1	MAGNETIC GASKET	YES	OT-GA-400-PTA-0241	L-00145(C)	OT-GA-500-PTA-0241	L-01583(G)
2	UPPER HINGE ASSEMBLY	YES	HA-647-R-K	L-00145(C)	HA-535-R-K	L-01583(G)
3	LOWER HINGE ASSEMBLY	YES	HA-646-R-K	L-00145(C)	HA-522-R-K	L-01583(G)

LIGHTING SYSTEM



LIGHTING SYSTEM

<i>Item No.</i>	<i>Description</i>	<i>Part No.</i>	<i>Quantity per cooler</i>
1	LED LAMP STRIP (9 3/4")	EL-145	1
2	LED DRIVER (1.25 Amp.)	OT-EL-151-T	1