



Parts List

ER1A-FS

TABLE OF CONTENTS

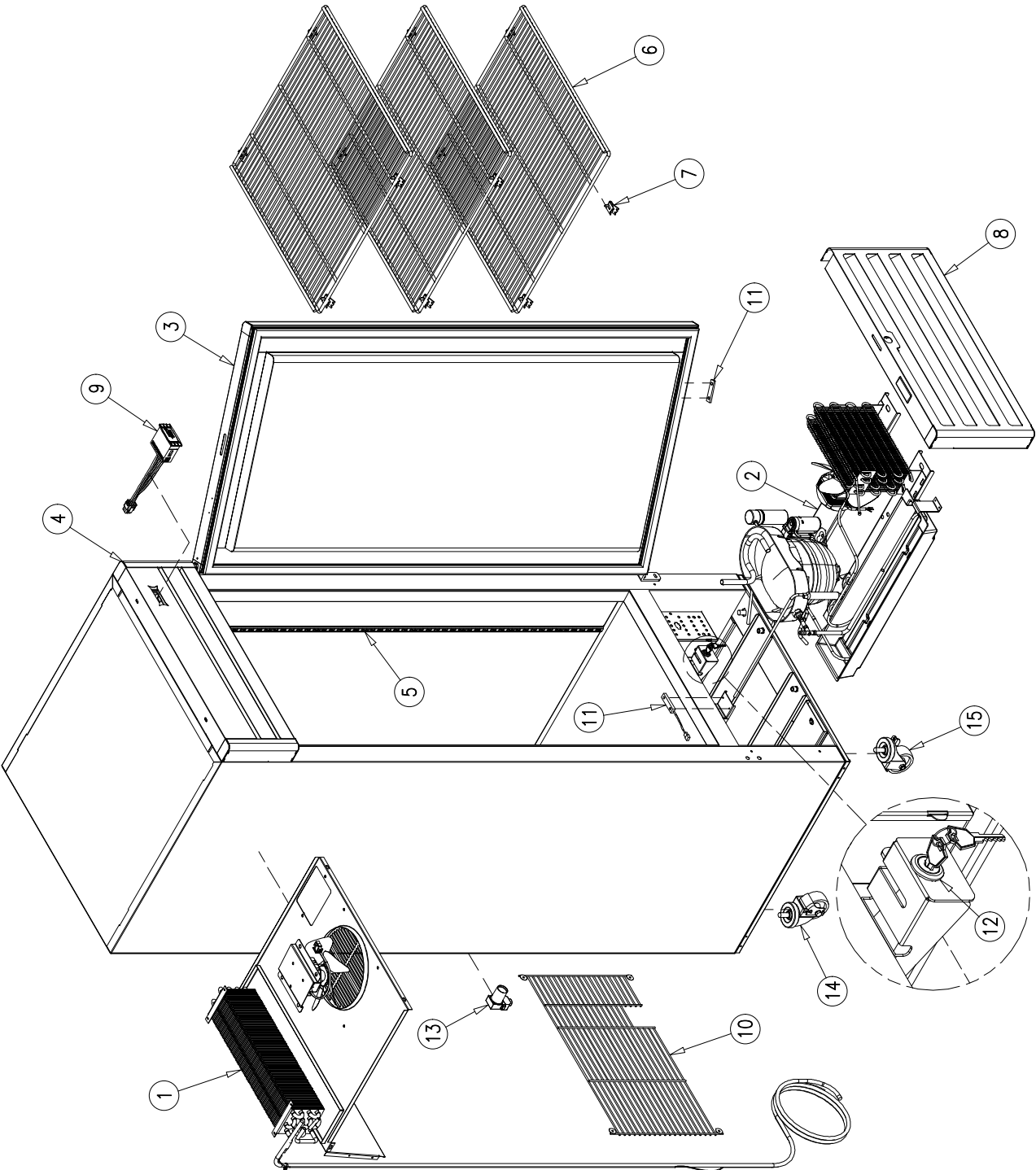
MAIN ASSEMBLY	3
EVAPORATOR ASSEMBLY	5
CONDENSING UNIT ASSEMBLY	7
DOOR ASSEMBLY	9
LIGHTING SYSTEM	11

NOTE:

To order spare parts, always include the following information:

- *Model Number* _____
- *Serial Number* _____

MAIN ASSEMBLY



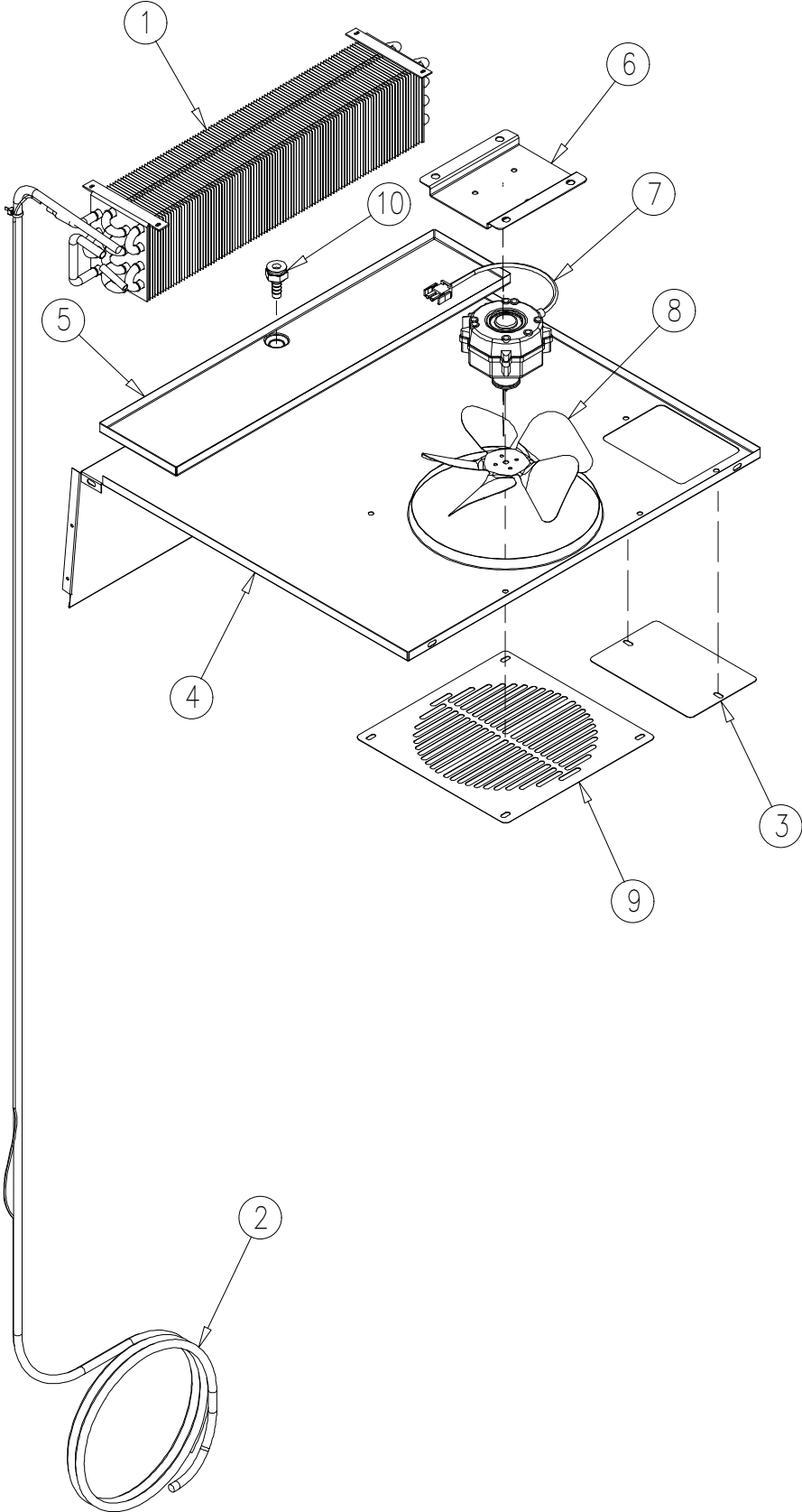
MAIN ASSEMBLY

<i>Item No.</i>	<i>Description</i>	<i>Part No.</i>	<i>Quantity per cooler</i>
1	EVAPORATOR ASSEMBLY	OT-EV-0200	1
2	CONDENSING UNIT ASSEMBLY	OT-UN-0431	1
3	RIGHT DOOR ASSEMBLY	OT-PTA-0241-R	1
4	HEADER SIGN	OT-ROTULO-0217	1
5	PILASTER 48"	PI-5	4
6	FLAT SHELF	SH-0427-HD-FE-GR	3
7	SHELF CLIPS	CL-51-SS-E	12
8	FRONT GRILL	OT-CUBREMOTOR-0285	1
9	CONTROL MODULE (XR07CH)	CT-69-DI-141	1
10	BACK GRILL	SH-0561-G-GR	1
11	DOOR SWITCH	EL-306	1
12	KEY SET	HA-471-G	1
13	PRESSURE RELIEF VALVE	VA-110*	1
14	BACK NON-LOCKING CASTER	CA-4	2
15	FRONT LOCKING CASTER	CA-4-BR	2

***Parts Change With Serial Number Break**

ITEM No.	Description	Interchangeable	Previous Component	Hoshizaki Last Serial Number and Earlier	Current Component	Hoshizaki First Serial Number and Later
13	PRESSURE RELIEF VALVE	NO	VA-103	L-01919(H)	VA-110	Pending

EVAPORATOR ASSEMBLY



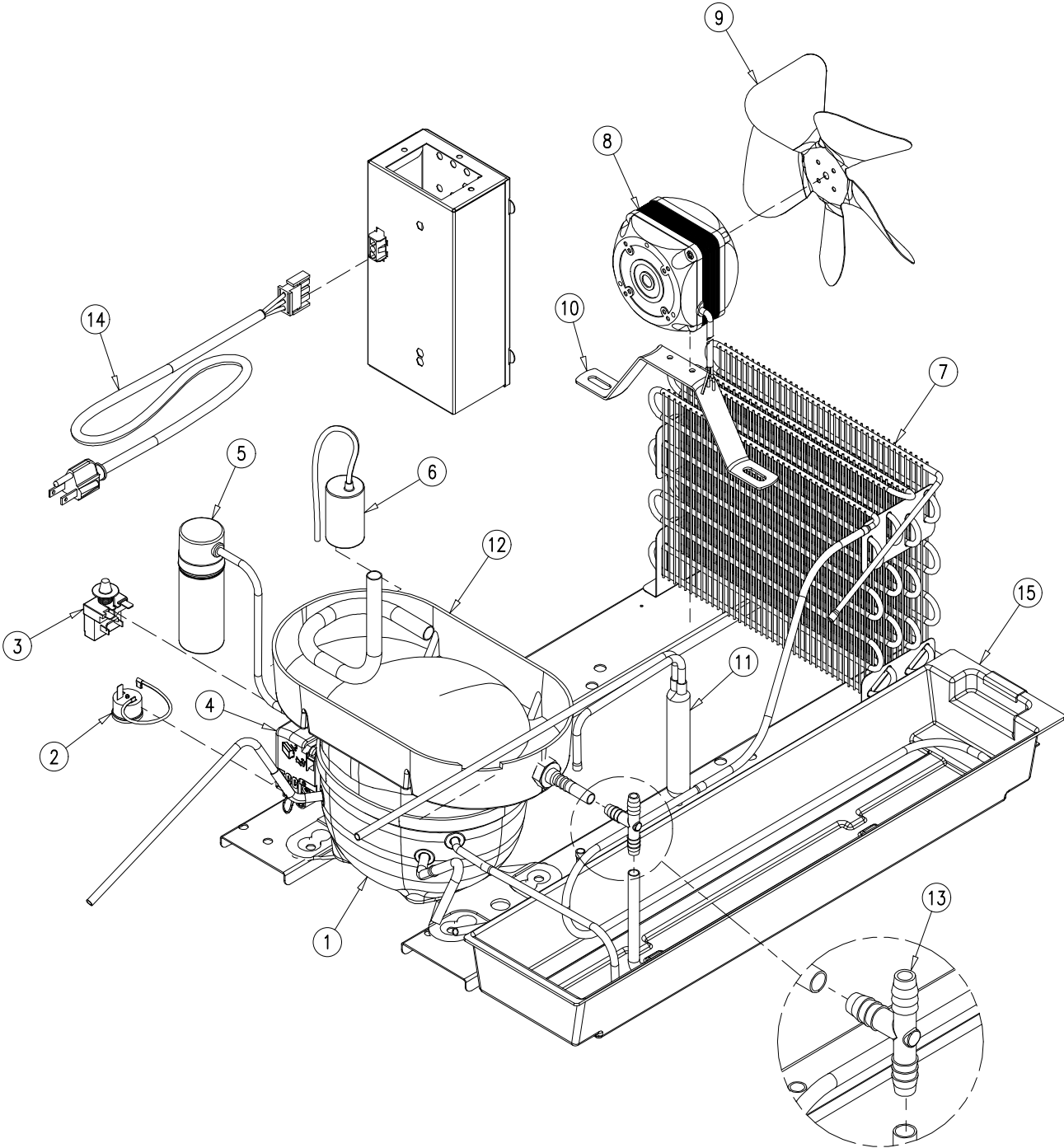
EVAPORATOR ASSEMBLY

<i>Item No.</i>	<i>Description</i>	<i>Part No.</i>	<i>Quantity per cooler</i>
1	EVAPORATOR	CO-312	1
2	HEAT EXCHANGER	TUB-1196	1
3	SHROUD COVER	OT-10442	1
4	SHROUD	OT-16253	1
5	EVAPORATOR DRAIN PAN	OT-16248	1
6	EVAPORATOR FAN MOTOR BRACKET	OT-16776	1
7	EVAPORATOR FAN MOTOR	FA-1-EBM	1
8	EVAPORATOR FAN BLADE	FA-2-EBM*	1
9	FAN GUARD	OT-2395	1
10	DRAIN FITTING	DR-1-P	1

*Parts Change With Serial Number Break

ITEM No.	Description	Interchangeable	Previous Component	Hoshizaki Last Serial Number and Earlier	Current Component	Hoshizaki First Serial Number and Later
8	EVAPORATOR FAN BLADE	YES	FA-2-EBM	L-00282(H)	FA-2-SW	L-01356(H)

CONDENSING UNIT ASSEMBLY



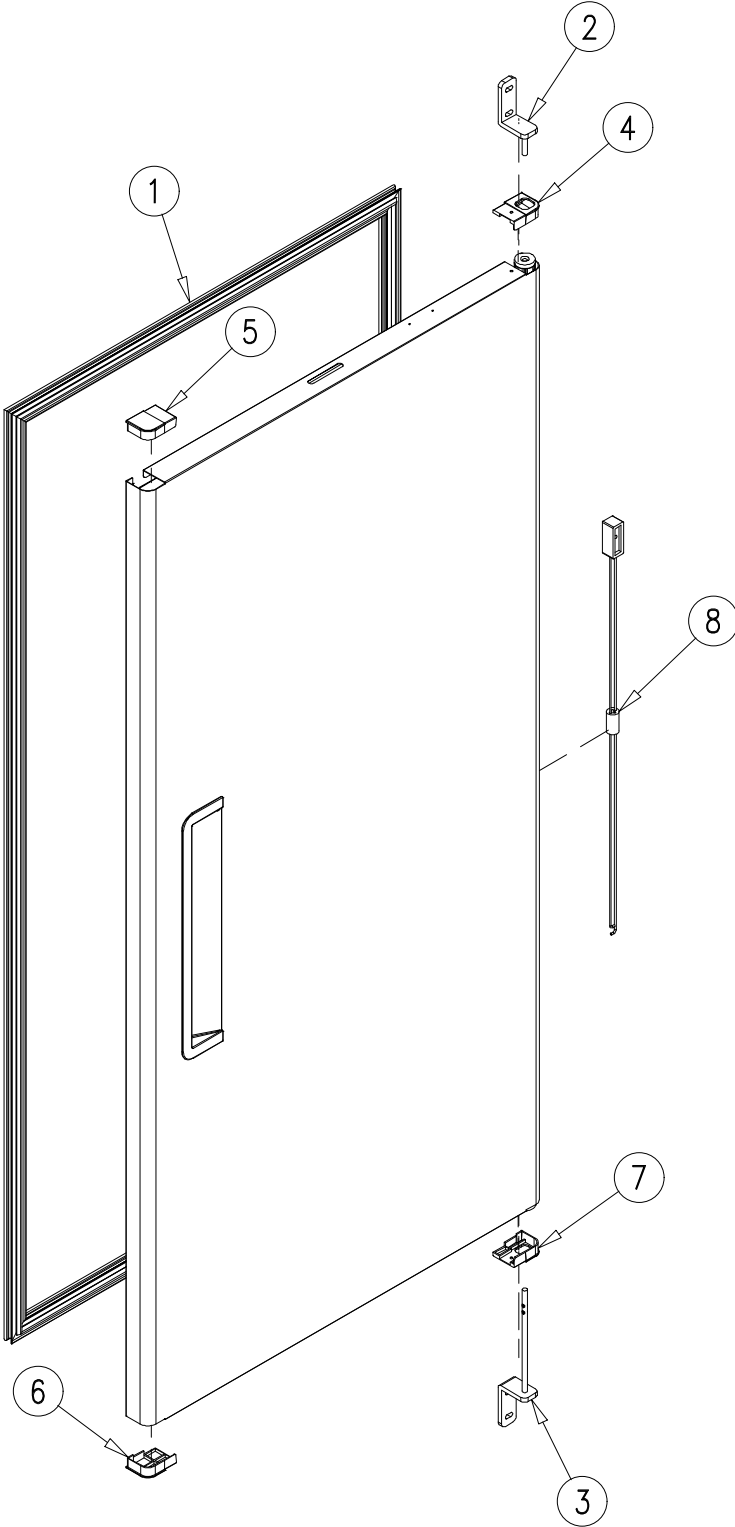
CONDENSING UNIT ASSEMBLY

<i>Item No.</i>	<i>Description</i>	<i>Part No.</i>	<i>Quantity per cooler</i>
1	COMPRESSOR (1/4HP 115-127V/60HZ R-290)	NUT55LRB	1
2	EXTERNAL PROTECTOR (T1086)	EL-2138	1
3	PTC RELAY (2014 149)	EL-2139	1
4	ELECTRICAL BOX	EL-2140	1
5	START CAPACITOR (250 μ F 160V)	CAP-250-160	1
6	RUN CAPACITOR (15 μ F 250V)	CAP-15-250	1
7	CONDENSER	CO-452	1
8	CONDENSER FAN MOTOR	FA-1-EBM	1
9	CONDENSER FAN BLADE	FA-2-SW*	1
10	CONDENSER FAN MOTOR BRACKET	FA-39	1
11	DRIER	DR-31-P	1
12	DRAIN PAN	OT-RP-0244-DP-7*	1
13	TEE	TEE-15-G	1
14	POWER CORD (9 ft)	OT-EL-1265-9-4784	1
15	OVERFLOW DRAIN PAN	OT-TF-1191	1

***Parts Change With Serial Number Break**

ITEM No.	Description	Inter-changeable	Previous Component	Hoshizaki Last Serial Number and Earlier	Current Component	Hoshizaki First Serial Number and Later
9	CONDENSER FAN BLADE	YES	FA-2-EBM	L-00282(H)	FA-2-SW	L-01356(H)
12	DRAIN PAN	YES	DP-7	K-00480(E)	OT-RP-0244-DP-7	L-00146(C)

DOOR ASSEMBLY



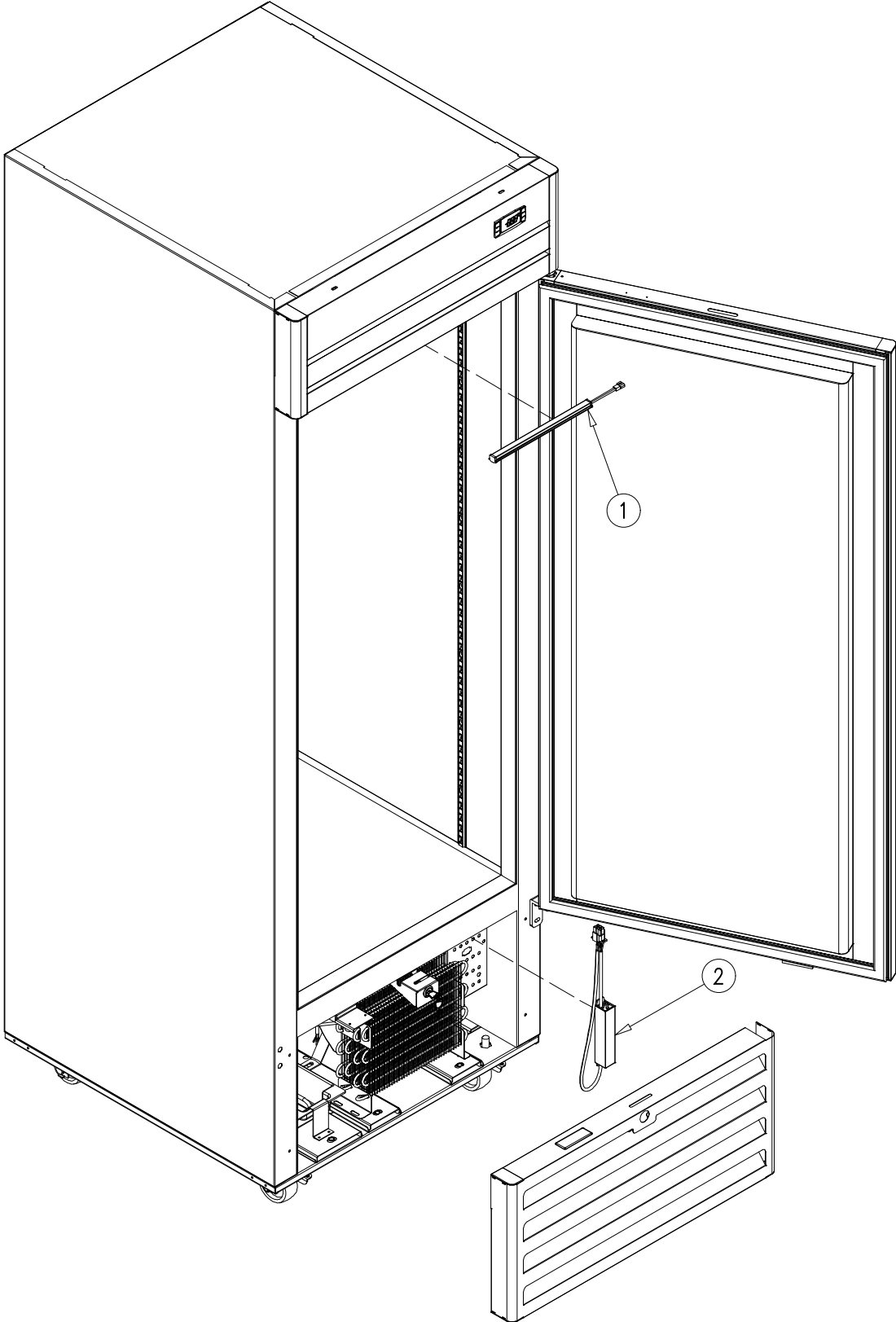
DOOR ASSEMBLY

<i>Item No.</i>	<i>Description</i>	<i>Part No.</i>	<i>Quantity per cooler</i>
1	MAGNETIC GASKET	OT-GA-500-PTA-0241*	1
2	UPPER HINGE ASSEMBLY	HA-535-R-K*	1
3	LOWER HINGE ASSEMBLY	HA-522-R-K*	1
4	UPPER RIGHT DOOR CAP	ESQ-037-A-GR	1
5	UPPER LEFT DOOR CAP	ESQ-038-A-GR	1
6	LOWER LEFT DOOR CAP	ESQ-037-B-GR	1
7	LOWER RIGHT DOOR CAP	ESQ-038-B-GR	1
8	TORSION MECHANISM	HA-479	1

***Parts Change With Serial Number Break**

ITEM No.	Description	Inter-changeable	Previous Component	Hoshizaki Last Serial Number and Earlier	Current Component	Hoshizaki First Serial Number and Later
1	MAGNETIC GASKET	YES	OT-GA-400-PTA-0241	L-00192(C)	OT-GA-500-PTA-0241	L-00270(G)
2	UPPER HINGE ASSEMBLY	YES	HA-647-R-K	L-00192(C)	HA-535-R-K	L-00270(G)
3	LOWER HINGE ASSEMBLY	YES	HA-646-R-K	L-00192(C)	HA-522-R-K	L-00270(G)

LIGHTING SYSTEM



LIGHTING SYSTEM

<i>Item No.</i>	<i>Description</i>	<i>Part No.</i>	<i>Quantity per cooler</i>
1	LED LAMP STRIP (9 3/4")	EL-145	1
2	LED DRIVER (1.25 Amp.)	OT-EL-151-T	1