



# Parts List

ER2A-FS

## TABLE OF CONTENTS

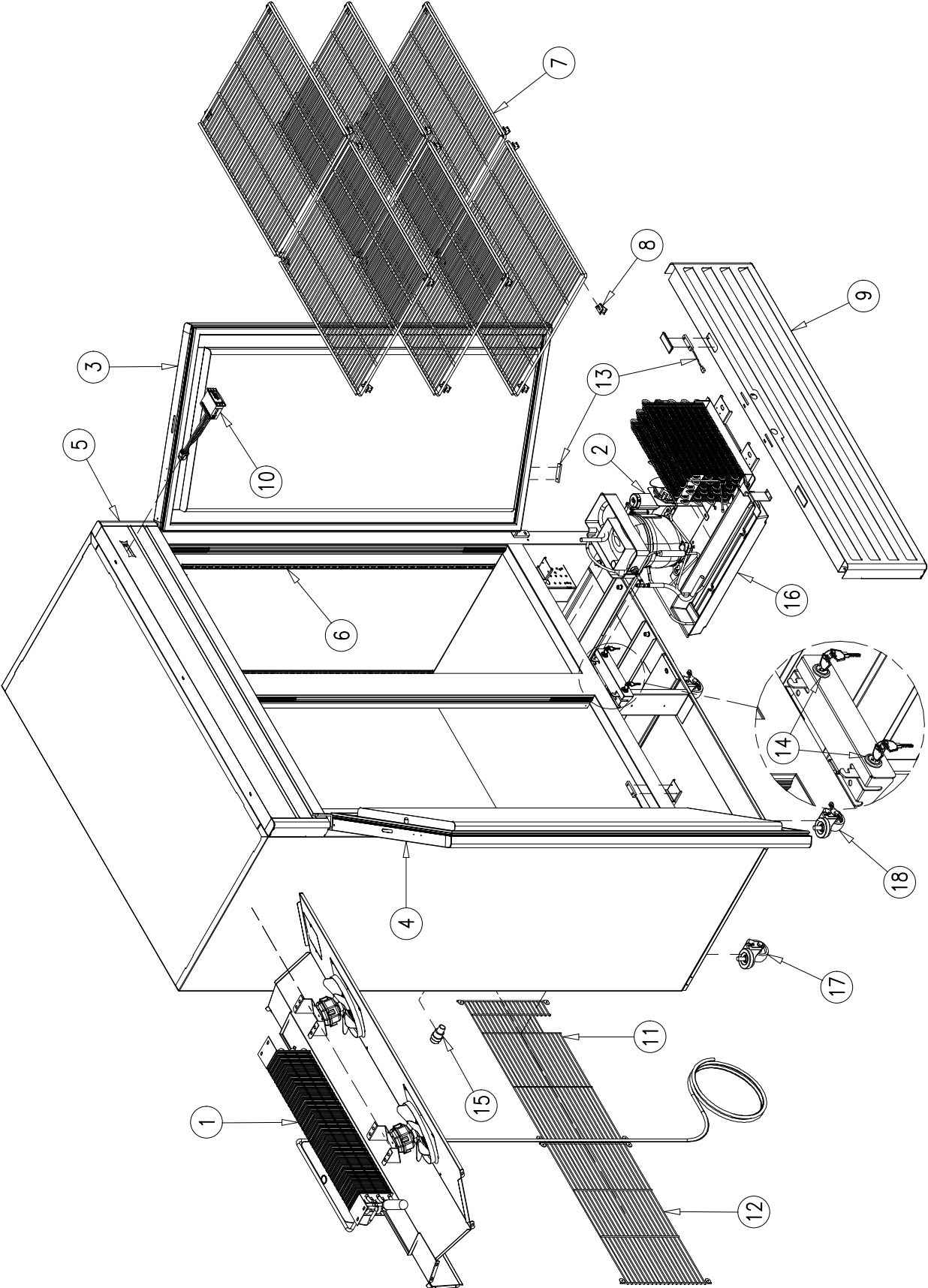
MAIN ASSEMBLY .....	3
EVAPORATOR ASSEMBLY .....	5
CONDENSING UNIT ASSEMBLY .....	7
DOOR ASSEMBLY .....	9
LIGHTING SYSTEM .....	11

**NOTE:**

*To order spare parts, always include the following information:*

- *Model Number* \_\_\_\_\_
- *Serial Number* \_\_\_\_\_

# MAIN ASSEMBLY



ER2A-FS

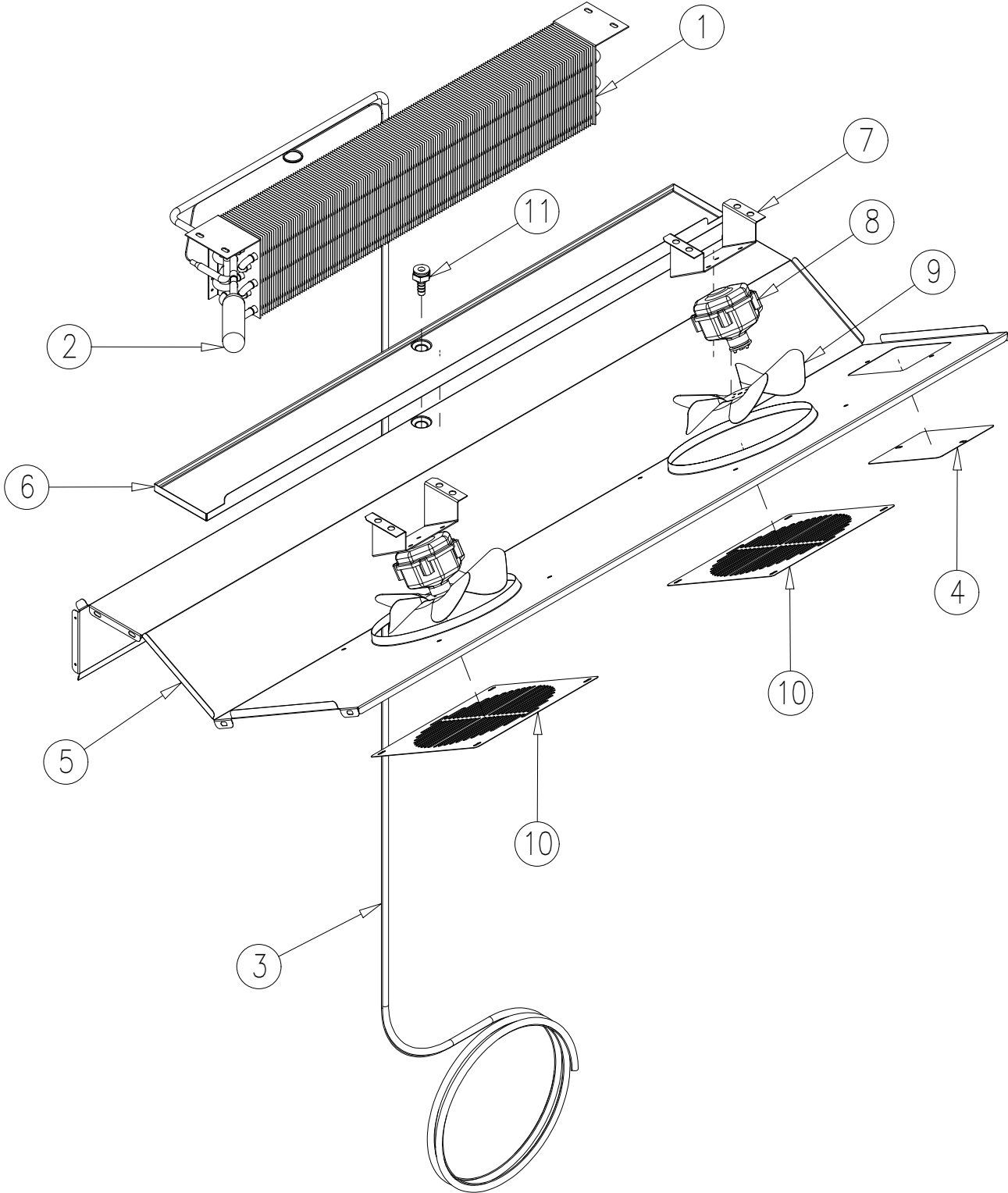
# MAIN ASSEMBLY

<i>Item No.</i>	<i>Description</i>	<i>Part No.</i>	<i>Quantity per cooler</i>
1	EVAPORATOR ASSEMBLY	OT-EV-0194	1
2	CONDENSING UNIT ASSEMBLY	OT-UN-0432*	1
3	RIGHT DOOR ASSEMBLY	OT-PTA-0249-R	1
4	LEFT DOOR ASSEMBLY	OT-PTA-0249-L	1
5	HEADER SIGN	OT-ROTULO-0228	1
6	PILASTER (48")	PI-5	8
7	FLAT SHELF	SH-0445-HD-FE-GR	6
8	SHELF CLIPS	CL-51-SS-E	24
9	FRONT GRILL	OT-CUBREMOTOR-0295	1
10	CONTROL MODULE (XR07CH)	CT-69-DI-141	1
11	RIGHT BACK GRILL	SH-0562-G-GR	1
12	LEFT BACK GRILL	SH-0563-G-GR	1
13	DOOR SWITCH	EL-306	2
14	KEY SET	HA-471-G	2
15	PRESSURE RELIEF VALVE	VA-110*	2
16	BACK NON-LOCKING CASTER	CA-4	3
17	FRONT LOCKING CASTER	CA-4-BR	3

**\*Parts Change With Serial Number Break**

ITEM No.	Description	Inter-changeable	Previous Component	Hoshizaki Last Serial Number and Earlier	Current Component	Hoshizaki First Serial Number and Later
2	CONDENSING UNIT ASSEMBLY	NO	OT-UN-0090	K-01421(G)	OT-UN-0432	K-00001(K)
15	PRESSURE RELIEF VALVE	NO	VA-103	L-03445(H)	VA-110	L-03493(H)

# EVAPORATOR ASSEMBLY



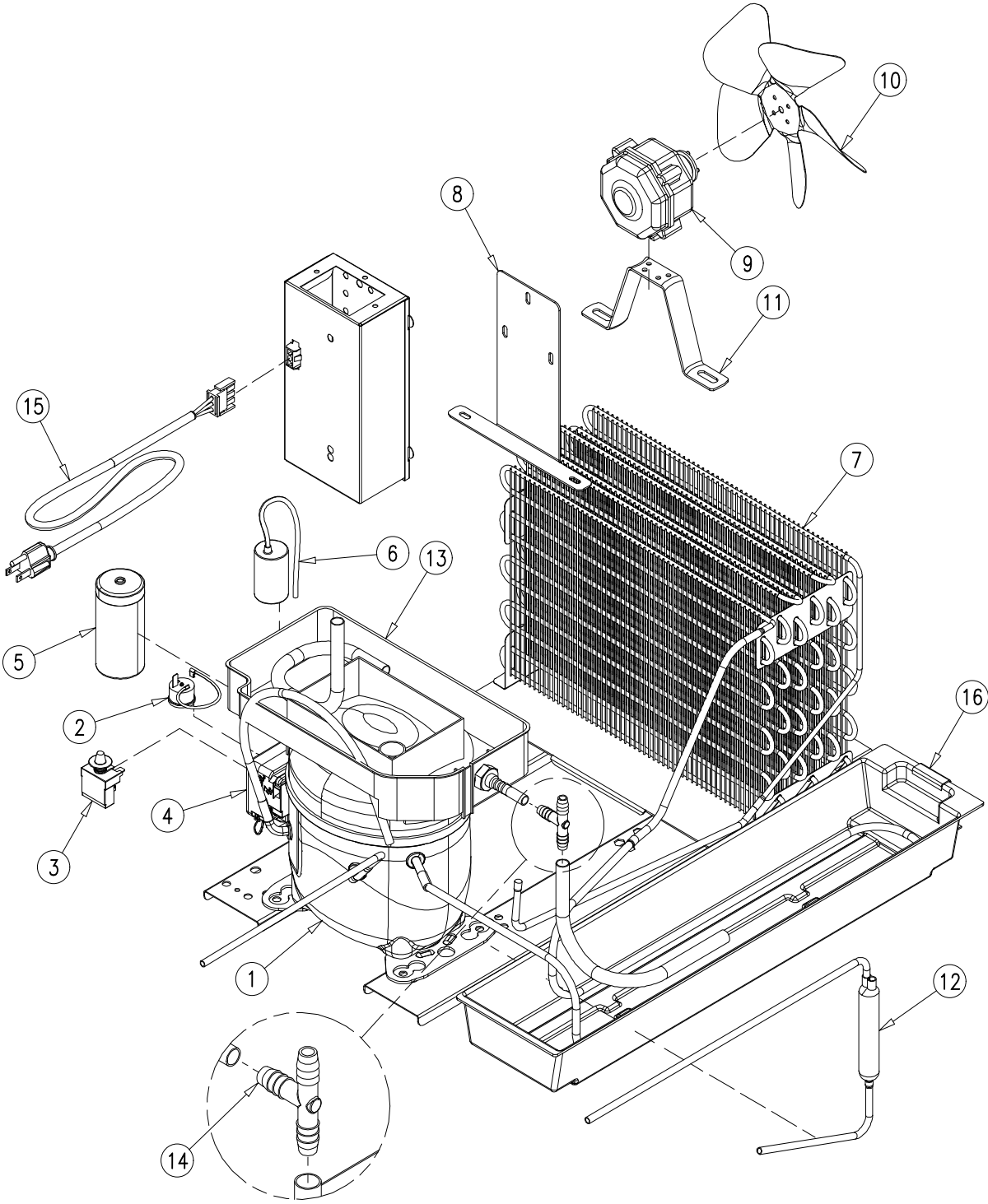
# EVAPORATOR ASSEMBLY

<i>Item No.</i>	<i>Description</i>	<i>Part No.</i>	<i>Quantity per cooler</i>
1	EVAPORATOR	CO-369	1
2	ACCUMULATOR	DR-19-C	1
3	HEAT EXCHANGER	OT-TUB-1152	1
4	SHROUD COVER	OT-9059	1
5	SHROUD	OT-21710	1
6	EVAPORATOR DRAIN PAN	OT-21712	1
7	EVAPORATOR FAN MOTOR BRACKET	OT-21719	2
8	EVAPORATOR FAN MOTOR	FA-70-SW*	2
9	EVAPORATOR FAN BLADE	FA-2-SW*	2
10	FAN GUARD	OT-2395	2
11	DRAIN FITTING	DR-1-P	1

**\*Parts Change With Serial Number Break**

ITEM No.	Description	Inter-changeable	Previous Component	Hoshizaki Last Serial Number and Earlier	Current Component	Hoshizaki First Serial Number and Later
8	EVAPORATOR FAN MOTOR	YES	FA-41	M-01086 (B)	FA-70-SW	PENDING
9	EVAPORATOR FAN BLADE	YES	FA-2-EBM	K-01421(G)	FA-2-SW	K-00001(K)

# CONDENSING UNIT ASSEMBLY



# CONDENSING UNIT ASSEMBLY

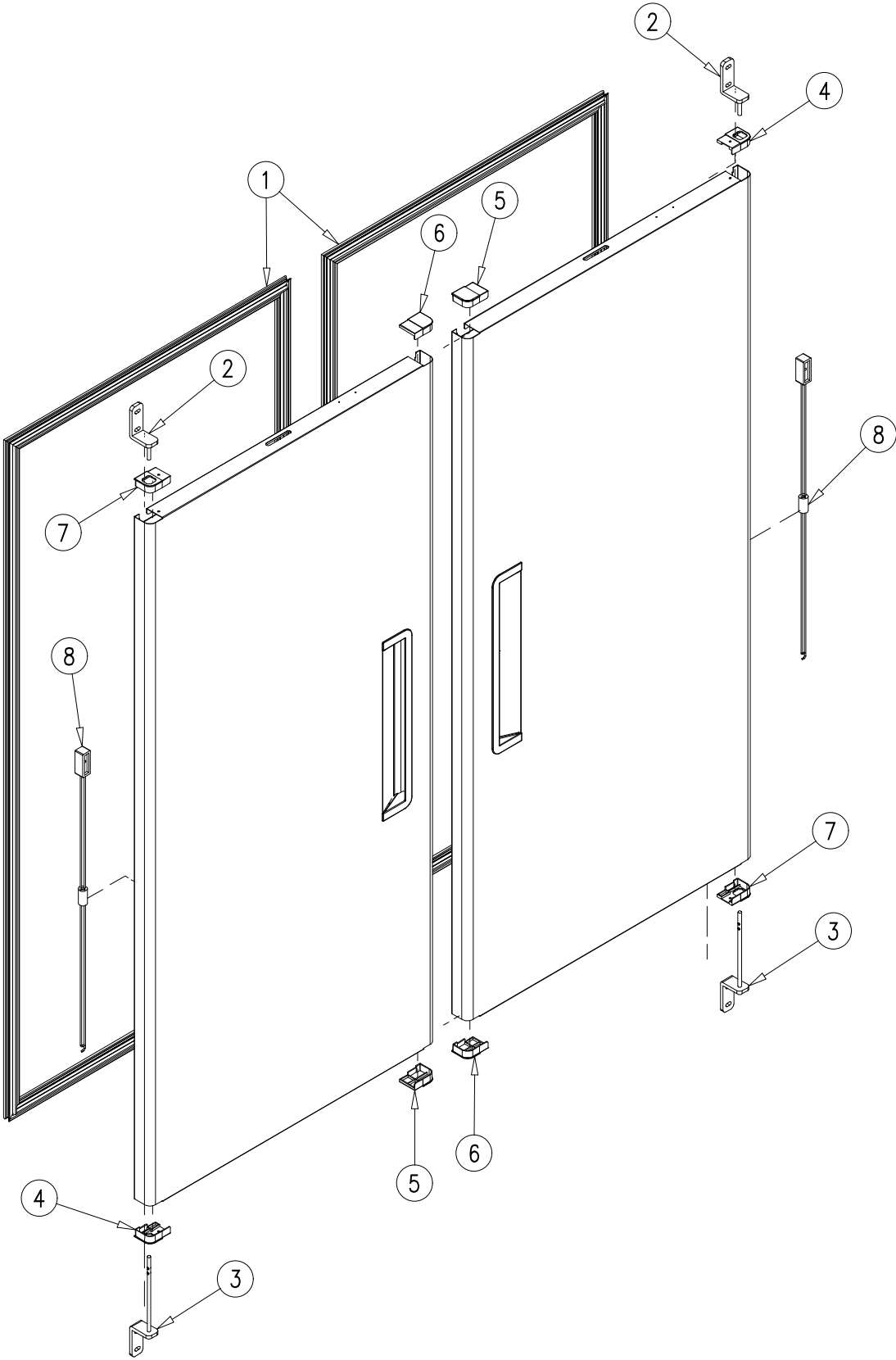
<i>Item No.</i>	<i>Description</i>	<i>Part No.</i>	<i>Quantity per cooler</i>
1	COMPRESSOR (1/2HP 115-127V/60HZ R-290)	NLY12NRB	1
2	EXTERNAL PROTECTOR (T0258)	EL-2120-R	1
3	PTC RELAY (2014 187)	EL-2121-R	1
4	ELECTRICAL BOX	EL-2122-R	1
5	START CAPACITOR (250μF 160V)	CAP-250-160	1
6	RUN CAPACITOR (15μF 250V)	CAP-15-250	1
7	CONDENSER	CO-454	1
8	FAN MOTOR SUPPORT	OT-9015	1
9	CONDENSER FAN MOTOR	FA-121-SW*	1
10	CONDENSER FAN BLADE	FA-11-WE	1
11	CONDENSER FAN MOTOR BRACKET	FA-18	1
12	DRIER	DR-31-P	1
13	DRAIN PAN	OT-RP-0231-DP8*	1
14	TEE	TEE-15-G*	1
15	POWER CORD (9 ft)	OT-EL-1265-9-4784	1
16	OVERFLOW DRAIN PAN	OT-TF-1191	1

**\*Parts Change With Serial Number Break**

ITEM No.	Description	Interchangeable	Previous Component	Hoshizaki Last Serial Number	Current Component	Hoshizaki First Serial Number
9	CONDENSER FAN MOTOR	YES	FA-41	M-01086 (B)	FA-121-SW	PENDING
13	DRAIN PAN	NO	DP-8	K-01421(G)	OT-RP-0231-DP8	K-00001(K)
14	TEE	N/A	N/A	N/A	TEE-15-G	K-00001(K)



# DOOR ASSEMBLY



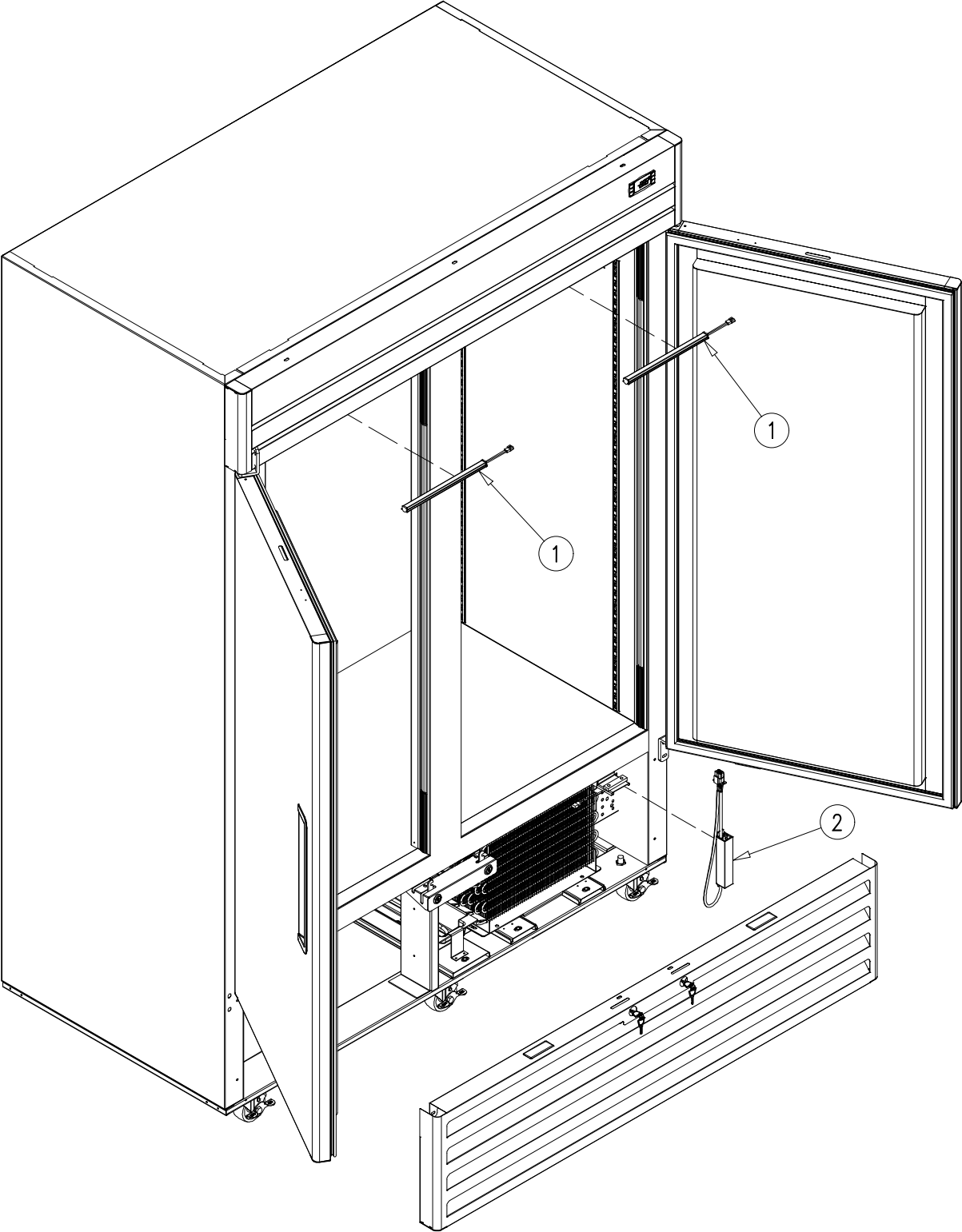
# DOOR ASSEMBLY

<i>Item No.</i>	<i>Description</i>	<i>Part No.</i>	<i>Quantity per cooler</i>
1	MAGNETIC GASKET	OT-GA-500-PTA-0241*	2
2	UPPER HINGE ASSEMBLY	HA-535-R-K*	2
3	LOWER HINGE ASSEMBLY	HA-522-R-K*	2
4	RIGHT DOOR UPPER RIGHT CAP LEFT DOOR LOWER LEFT CAP	ESQ-037-A-GR	2
5	RIGHT DOOR UPPER LEFT CAP LEFT DOOR LOWER RIGHT CAP	ESQ-038-A-GR	2
6	RIGHT DOOR LOWER LEFT CAP LEFT DOOR UPPER RIGHT CAP	ESQ-037-B-GR	2
7	RIGHT DOOR LOWER RIGHT CAP LEFT DOOR UPPER LEFT CAP	ESQ-038-B-GR	2
8	TORSION MECHANISM	HA-479	2

### \*Parts Change With Serial Number Break

ITEM No.	Description	Inter-changeable	Previous Component	Hoshizaki Last Serial Number and Earlier	Current Component	Hoshizaki First Serial Number and Later
1	MAGNETIC GASKET	YES	OT-GA-400-PTA-0249	L-00330(C)	OT-GA-500-PTA-0241	L-00132(G)
2	UPPER HINGE ASSEMBLY	YES	HA-647-R-K	L-00330(C)	HA-535-R-K	L-00132(G)
3	LOWER HINGE ASSEMBLY	YES	HA-646-R-K	L-00330(C)	HA-522-R-K	L-00132(G)

# LIGHTING SYSTEM



# LIGHTING SYSTEM

---

<i>Item No.</i>	<i>Description</i>	<i>Part No.</i>	<i>Quantity per cooler</i>
1	LED LAMP STRIP (9 3/4")	EL-145	2
2	LED DRIVER (1.25 Amp.)	OT-EL-151-T	1