

KRATOS

STAINLESS STEEL WORKTABLES

FEATURES

- 430SS STAINLESS STEEL TOP
- GALVANIZED UNDERSHELF
- ADJUSTABLE BULLET FEET
- GALVANIZED STEEL LEGS
- NO BACKSPLASH
- IDEAL FOR LIGHT DUTY
- NSF CERTIFIED



18 GAUGE, LIGHT DUTY
ECONOMY WORKTABLE
48" WX 24" D

SPECIFICATIONS

ITEM	WIDTH	DEPTH	HEIGHT	GAUGE	WEIGHT
28W-001	72"	30"	34"	18 GAUGE	89 LBS.
28W-008	72"	24"	34"	18 GAUGE	78 LBS.
28W-014	60"	30"	34"	18 GAUGE	71 LBS.
28W-020	60"	24"	34"	18 GAUGE	64 LBS.
28W-026	48"	30"	34"	18 GAUGE	59 LBS.
28W-032	48"	24"	34"	18 GAUGE	54 LBS.
28W-038	36"	30"	34"	18 GAUGE	47 LBS.
28W-044	36"	24"	34"	18 GAUGE	41 LBS.
28W-050	30"	30"	34"	18 GAUGE	40 LBS.
28W-056	30"	24"	34"	18 GAUGE	37 LBS.
28W-062	24"	24"	34"	18 GAUGE	33 LBS.
28W-068	96"	30"	34"	18 GAUGE	113 LBS.
28W-074	96"	24"	34"	18 GAUGE	100 LBS.
28W-003	72"	30"	34"	16 GAUGE	99 LBS.
28W-098	48"	24"	34"	16 GAUGE	59 LBS.
28W-099	60"	24"	34"	16 GAUGE	70 LBS.
28W-100	72"	24"	34"	16 GAUGE	87 LBS.
28W-101	48"	30"	34"	16 GAUGE	66 LBS.
28W-102	60"	30"	34"	16 GAUGE	80 LBS.
28W-103	96"	30"	34"	16 GAUGE	126 LBS.

KRATOS

STAINLESS STEEL WORKTABLES

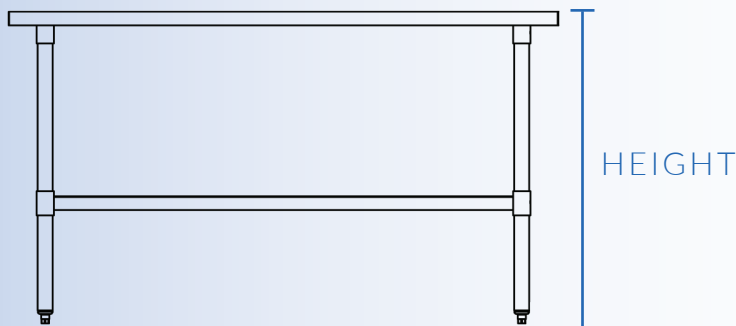
TOP



FEATURES

- 430SS STAINLESS STEEL TOP
- GALVANIZED UNDERSHELF
- ADJUSTABLE BULLET FEET
- GALVANIZED STEEL LEGS
- NO BACKSPLASH
- IDEAL FOR LIGHT DUTY
- NSF CERTIFIED

FRONT



SIDE

