

KRATOS

STAINLESS STEEL WORKTABLES

FEATURES

- 430SS STAINLESS STEEL TOP
- GALVANIZED UNDERSHELF
- ADJUSTABLE BULLET FEET
- GALVANIZED STEEL LEGS
- 2" BACKSPLASH
- IDEAL FOR LIGHT DUTY
- NSF CERTIFIED



PICTURED:
18 GAUGE, LIGHT DUTY
ECONOMY WORKTABLE
48"WX24"D
2" BACKSPLASH

SPECIFICATIONS

ITEM	WIDTH	DEPTH	HEIGHT	GAUGE	WEIGHT
28W-002	72"	30"	36"	18 GAUGE	93 LBS.
28W-009	72"	24"	36"	18 GAUGE	82 LBS.
28W-015	60"	30"	36"	18 GAUGE	74 LBS.
28W-021	60"	24"	36"	18 GAUGE	67 LBS.
28W-027	48"	30"	36"	18 GAUGE	62 LBS.
28W-033	48"	24"	36"	18 GAUGE	57 LBS.
28W-039	36"	30"	36"	18 GAUGE	49 LBS.
28W-045	36"	24"	36"	18 GAUGE	43 LBS.
28W-051	30"	30"	36"	18 GAUGE	42 LBS.
28W-057	30"	24"	36"	18 GAUGE	39 LBS.
28W-063	24"	24"	36"	18 GAUGE	35 LBS.
28W-069	96"	30"	36"	18 GAUGE	120 LBS.
28W-075	96"	24"	36"	18 GAUGE	107 LBS.
28W-092	12"	30"	34"	18 GAUGE	27 LBS.
28W-093	15"	30"	34"	18 GAUGE	30 LBS.
28W-094	18"	30"	34"	18 GAUGE	33 LBS.

KRATOS

STAINLESS STEEL WORKTABLES

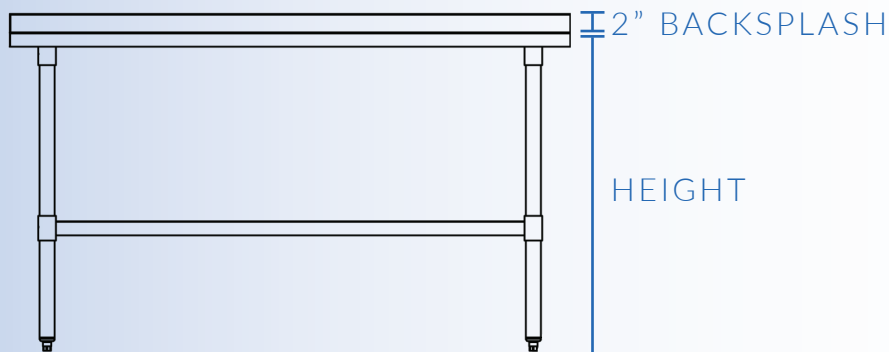
TOP



FEATURES

- 430SS STAINLESS STEEL TOP
- GALVANIZED UNDERSHELF
- ADJUSTABLE BULLET FEET
- GALVANIZED STEEL LEGS
- 2" BACKSPLASH
- IDEAL FOR LIGHT DUTY
- NSF CERTIFIED

FRONT



SIDE

