

# KRATOS

## STAINLESS STEEL WORKTABLES

### FEATURES

- 304SS STAINLESS STEEL TOP
- GALVANIZED UNDERSHELF
- ADJUSTABLE BULLET FEET
- GALVANIZED STEEL LEGS
- NO BACKSPLASH
- MEDIUM DUTY
- NSF CERTIFIED



PICTURED:  
16 GAUGE  
MEDIUM DUTY  
WORKTABLE  
48"WX30"D

## SPECIFICATIONS

ITEM	WIDTH	DEPTH	HEIGHT	GAUGE	WEIGHT
28W-004	72"	30"	34"	16 GAUGE	99 LBS.
28W-010	72"	24"	34"	16 GAUGE	87 LBS.
28W-016	60"	30"	34"	16 GAUGE	80 LBS.
28W-022	60"	24"	34"	16 GAUGE	70 LBS.
28W-028	48"	30"	34"	16 GAUGE	66 LBS.
28W-034	48"	24"	34"	16 GAUGE	59 LBS.
28W-040	36"	30"	34"	16 GAUGE	51 LBS.
28W-046	36"	24"	34"	16 GAUGE	46 LBS.
28W-052	30"	30"	34"	16 GAUGE	47 LBS.
28W-058	30"	24"	34"	16 GAUGE	40 LBS.
28W-064	24"	24"	34"	16 GAUGE	35 LBS.
28W-070	96"	30"	34"	16 GAUGE	126 LBS.
28W-076	96"	24"	34"	16 GAUGE	110 LBS.

# KRATOS

## STAINLESS STEEL WORKTABLES

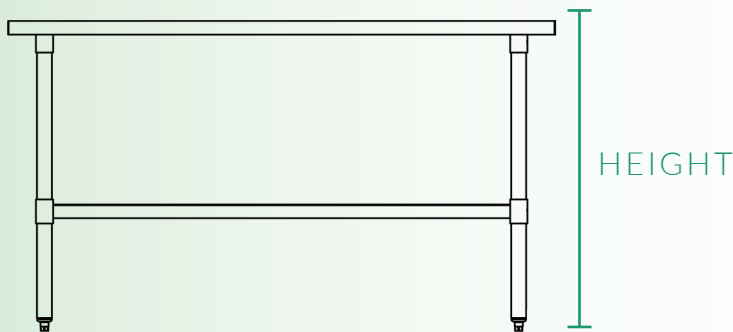
### TOP



### FEATURES

- 304SS STAINLESS STEEL TOP
- GALVANIZED UNDERSHELF
- ADJUSTABLE BULLET FEET
- GALVANIZED STEEL LEGS
- NO BACKSPLASH
- MEDIUM DUTY
- NSF CERTIFIED

### FRONT



### SIDE

