

KRATOS

STAINLESS STEEL WORKTABLES

FEATURES

- 304SS STAINLESS STEEL TOP
- GALVANIZED UNDERSHELF
- ADJUSTABLE BULLET FEET
- GALVANIZED STEEL LEGS
- 4" BACKSPLASH
- MEDIUM DUTY
- NSF CERTIFIED



PICTURED:
16 GAUGE
MEDIUM DUTY
WORKTABLE
48"WX30"D

SPECIFICATIONS

ITEM	WIDTH	DEPTH	HEIGHT	GAUGE	WEIGHT
28W-005	72"	30"	38"	16 GAUGE	104 LBS.
28W-011	72"	24"	38"	16 GAUGE	92 LBS.
28W-017	60"	30"	38"	16 GAUGE	84 LBS.
28W-023	60"	24"	38"	16 GAUGE	74 LBS.
28W-029	48"	30"	38"	16 GAUGE	69 LBS.
28W-035	48"	24"	38"	16 GAUGE	62 LBS.
28W-041	36"	30"	38"	16 GAUGE	54 LBS.
28W-047	36"	24"	38"	16 GAUGE	49 LBS.
28W-053	30"	30"	38"	16 GAUGE	50 LBS.
28W-059	30"	24"	38"	16 GAUGE	43 LBS.
28W-065	24"	24"	38"	16 GAUGE	37 LBS.
28W-071	96"	30"	38"	16 GAUGE	138 LBS.
28W-077	96"	24"	38"	16 GAUGE	118 LBS.

KRATOS

STAINLESS STEEL WORKTABLES

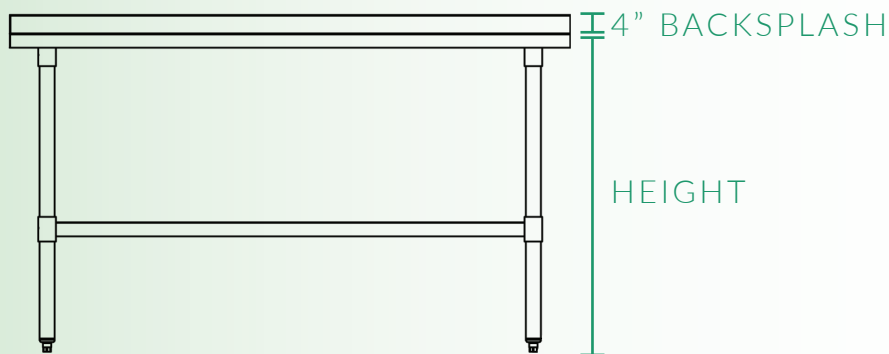
TOP



FEATURES

- 304SS STAINLESS STEEL TOP
- GALVANIZED UNDERSHELF
- ADJUSTABLE BULLET FEET
- GALVANIZED STEEL LEGS
- 4" BACKSPLASH
- MEDIUM DUTY
- NSF CERTIFIED

FRONT



SIDE

