

# KRATOS

## STAINLESS STEEL WORKTABLES

### FEATURES

- 304SS STAINLESS STEEL TOP
- GALVANIZED UNDERSHELF
- ADJUSTABLE BULLET FEET
- GALVANIZED STEEL LEGS
- 4" BACKSPLASH
- STANDARD DUTY
- NSF CERTIFIED



PICTURED:  
18 GAUGE  
STANDARD DUTY  
WORKTABLE  
48"WX30"D  
4" BACKSPLASH

## SPECIFICATIONS

ITEM	WIDTH	DEPTH	HEIGHT	GAUGE	WEIGHT
28W-007	72"	30"	38"	18 GAUGE	93 LBS.
28W-013	72"	24"	38"	18 GAUGE	82 LBS.
28W-019	60"	30"	38"	18 GAUGE	74 LBS.
28W-025	60"	24"	38"	18 GAUGE	67 LBS.
28W-031	48"	30"	38"	18 GAUGE	62 LBS.
28W-037	48"	24"	38"	18 GAUGE	57 LBS.
28W-043	36"	30"	38"	18 GAUGE	49 LBS.
28W-049	36"	24"	38"	18 GAUGE	43 LBS.
28W-055	30"	30"	38"	18 GAUGE	42 LBS.
28W-061	30"	24"	38"	18 GAUGE	39 LBS.
28W-067	24"	24"	38"	18 GAUGE	35 LBS.
28W-073	96"	30"	38"	18 GAUGE	120 LBS.
28W-079	96"	24"	38"	18 GAUGE	107 LBS.

# KRATOS

## STAINLESS STEEL WORKTABLES

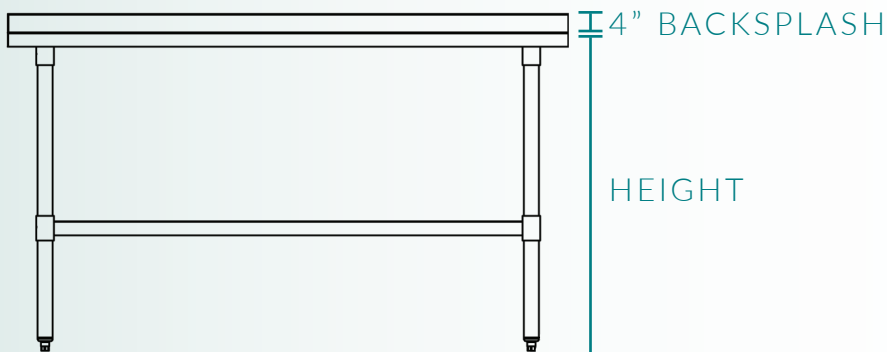
### TOP



### FEATURES

- 304SS STAINLESS STEEL TOP
- GALVANIZED UNDERSHELF
- ADJUSTABLE BULLET FEET
- GALVANIZED STEEL LEGS
- 4" BACKSPLASH
- STANDARD DUTY
- NSF CERTIFIED

### FRONT



### SIDE

