

# KRATOS

## STAINLESS STEEL EQUIPMENT STANDS

### FEATURES

- 430SS STAINLESS STEEL TOP
- GALVANIZED UNDERSHELF
- ADJUSTABLE BULLET FEET
- GALVANIZED STEEL LEGS
- 1" OR 2" BACKSPLASH
- 24" HEIGHT
- NSF CERTIFIED



PICTURED:  
18 GAUGE  
LIGHT DUTY  
EQUIPMENT STAND  
24"WX30"D

## SPECIFICATIONS

ITEM	WIDTH	DEPTH	BACKSPLASH	GAUGE	WEIGHT
28W-080	24"	30"	1"	18 GAUGE	34 LBS.
28W-081	36"	30"	1"	18 GAUGE	43 LBS.
28W-082	48"	30"	1"	18 GAUGE	61 LBS.
28W-083	36"	30"	1"	16 GAUGE	51 LBS.
28W-084	48"	30"	1"	16 GAUGE	65 LBS.
28W-085	60"	30"	1"	16 GAUGE	79 LBS.
28W-086	24"	24"	1"	16 GAUGE	35 LBS.
28W-087	48"	24"	1"	16 GAUGE	59 LBS.
28W-095	36"	30"	2"	14 GAUGE	51 LBS.
28W-096	48"	30"	2"	14 GAUGE	66 LBS.
28W-097	60"	30"	2"	14 GAUGE	80 LBS.

# KRATOS

## STAINLESS STEEL EQUIPMENT STANDS

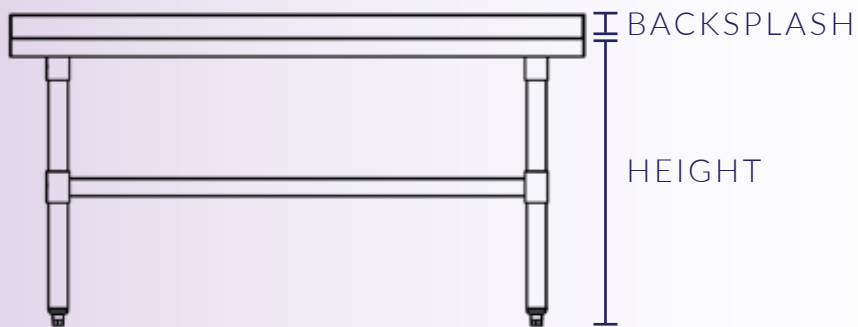
### TOP



### FEATURES

- 430SS STAINLESS STEEL TOP
- GALVANIZED UNDERSHELF
- ADJUSTABLE BULLET FEET
- GALVANIZED STEEL LEGS
- 1" OR 2" BACKSPLASH
- 24" HEIGHT
- NSF CERTIFIED

### FRONT



### SIDE

