



PROJECT NAME: \_\_\_\_\_

LOCATION: \_\_\_\_\_

ITEM #: \_\_\_\_\_ QTY: \_\_\_\_\_

MODEL: \_\_\_\_\_

## STEAM TABLES

### FEATURES

- HEAVY DUTY STAINLESS STEEL BODY AND WELLS
- GALVANIZED STEEL LEGS & UNDERSHELF
- ACCOMODATES FULL SIZE FOOD PANS
- 8" POLYETHYLENE CUTTING BOARD PREP AREA
- INDEPENDENT CONTROL KNOBS WITH GUARDS
- 8" DEEP OPEN WELL
- 1 YEAR WARRANTY
- UL AND NSF CERTIFIED



28W-109

## Hold food at the perfect temperature every time.



28W-110



28W-111 & 28W-112



28W-113

## SPECIFICATIONS

ITEM	WIDTH	DEPTH	HEIGHT	VOLTAGE	PLUG TYPE	WELLS	WATTS PER WELL
28W-109	29"	30"	34"	120	NEMA 5-15P	2	500
28W-110	44"	30"	34"	120	NEMA 5-15P	3	500
28W-111	57"	30"	34"	120	NEMA 5-30P	4	500
28W-112	57"	30"	34"	240	NEMA 6-20P	4	750
28W-113	72"	30"	34"	240	NEMA 6-20P	5	750



PROJECT NAME: \_\_\_\_\_

LOCATION: \_\_\_\_\_

ITEM #: \_\_\_\_\_ QTY: \_\_\_\_\_

MODEL: \_\_\_\_\_

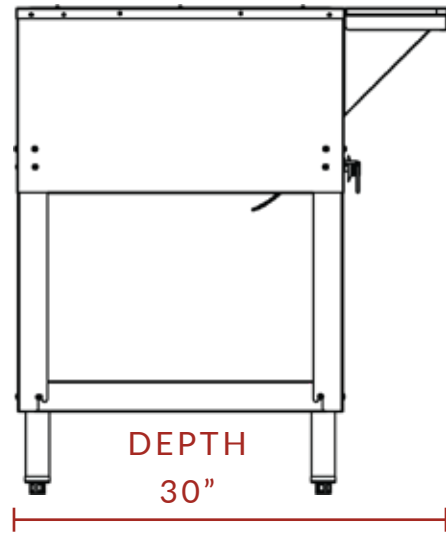
## STEAM TABLES

3 WELL MODEL SHOWN FOR REFERENCE. ALL MODELS ARE THE SAME HEIGHT AND DEPTH. REFER TO SPEC TABLE FOR WIDTHS.

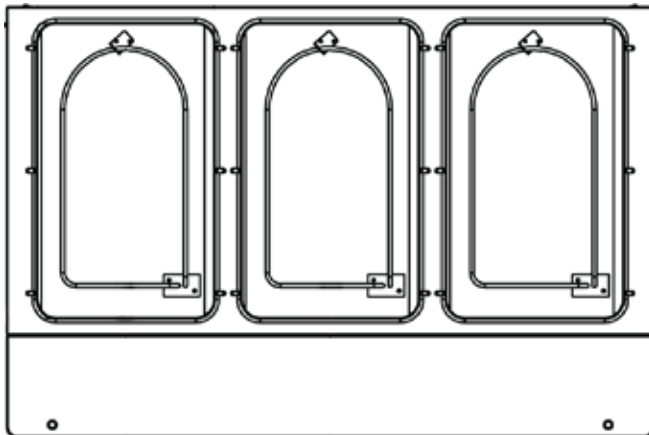
### FRONT



### SIDE



### TOP



OPEN WELLS CAN BE USED DRY OR WET WITH A SPILLAGE PAN (SOLD SEPARATELY)

## ACCESSORIES

ADD MOBILITY OR MORE STORAGE POTENTIAL

ITEM	DESCRIPTION
28W-114	5" SWIVEL CASTER WITH LOCK FOR KRATOS STEAM TABLES
28W-115	29" OVERSHELF WITH SNEEZE GUARD FOR 2 WELL KRATOS STEAM TABLE
28W-116	43" OVERSHELF WITH SNEEZE GUARD FOR 3 WELL KRATOS STEAM TABLE
28W-117	57" OVERSHELF WITH SNEEZE GUARD FOR 4 WELL KRATOS STEAM TABLE
28W-118	71" OVERSHELF WITH SNEEZE GUARD FOR 5 WELL KRATOS STEAM TABLE